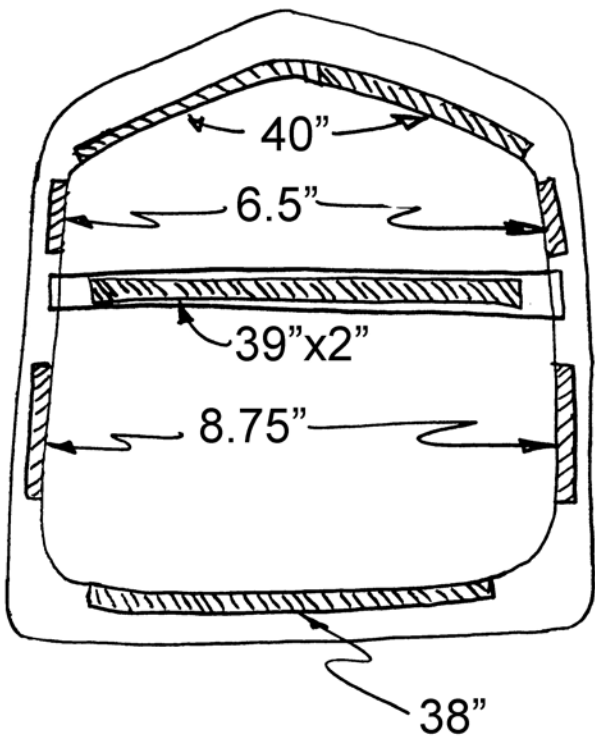


Thunderbird Specialists
CASCO
SINCE 1969

Part# 16612A - Hood Anti Rattle pads



Note: All pieces are stapled except the 39"x2" piece which is glued. Since the hood skin is already on the frame, you must put new staples in by hand and bend over with pliers. Alternatively, you can leave the old staples in, and simply glue all the pads in.

Classic Auto Supply Co., Inc. 795 High Street Coshocton OH 43812

Parts: 740/622-8561 Restorations: 740/622-9700 Fax: 740/622-5151

