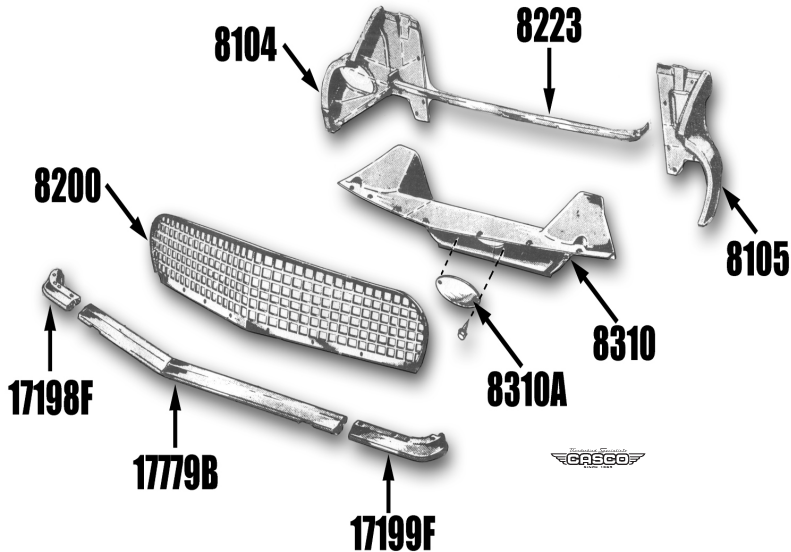


200B

Hardware kit - '57 Front End



8310 to 8104 and 8105

Use: 10 pcs 1/4" bolt with lockwasher
10 pcs 1/4" flat washer

8310A to 8310

Use: 3 pcs #8 tapping screw

8310 1779B

Use: 7 pcs 1/4" bolt with lockwasher
7 pcs 1/4" flat washer

8200 to 8223

Use: 6 pcs 1/4" bolt without lockwasher

1779B to 8200

Use: 8 pcs #10 bolt with lockwasher (fine thread)
8 pcs #10 flat washer

17779B to 17779C & 17779D

Use: 4 pcs #10 bolt with lockwasher (coarse thread)
4 pcs #10 flat washer

17198F & 17199F to 8104 & 8105 & front fenders

Use: 8 pcs 1/4" bolt with lockwasher
20 pcs 1/4" flat washer
6 pcs 1/4" hex nut