

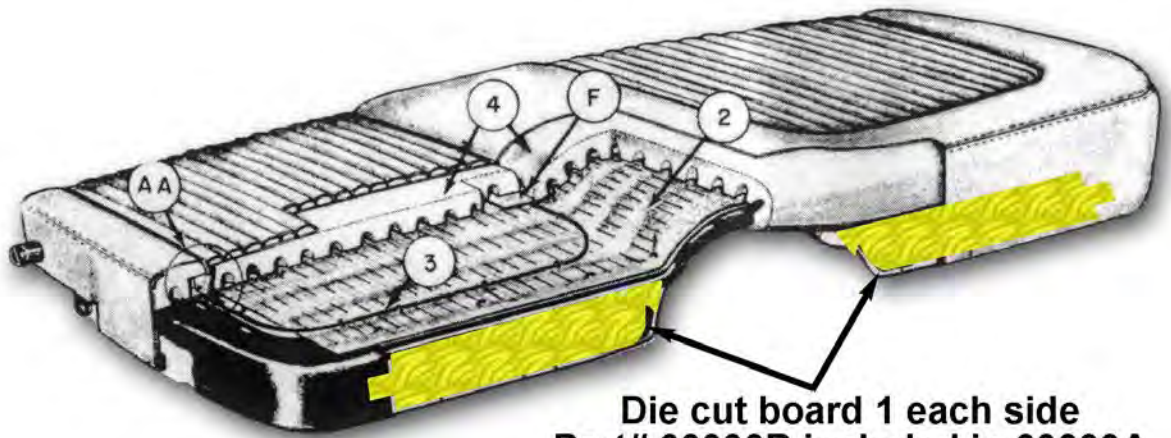
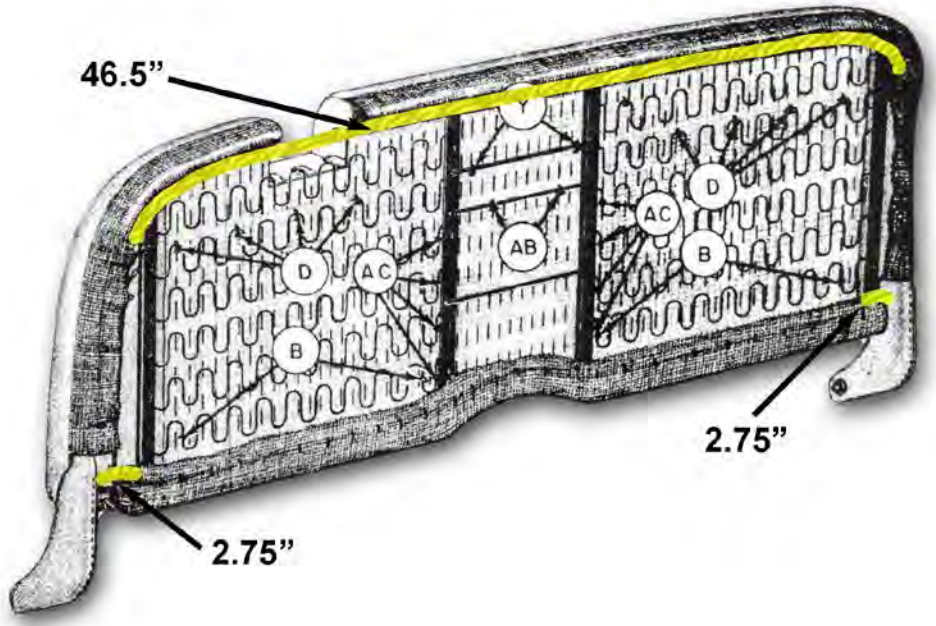
Thank you for purchasing CASCO's seat tack strip kit. We hope that the instructions below will be useful to you. If you have questions please call our technical assistance line at 740/622-9700.



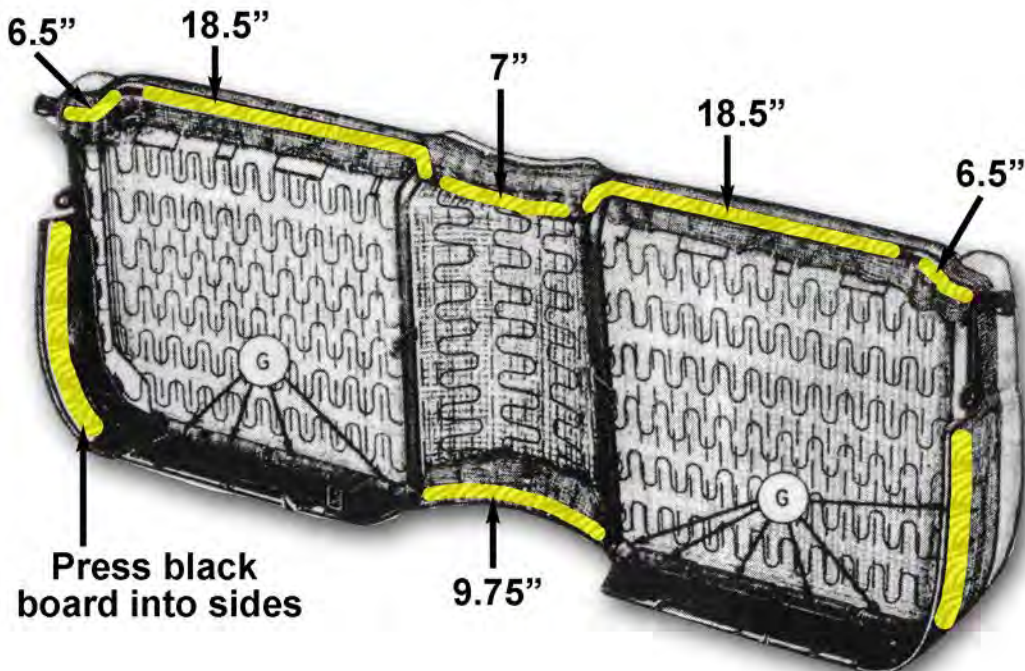
Tools:

- 7/64" drill bit
- Drill
- Screwdriver

The black fiber boards are pressed into the metal slots. All other pieces are held in place with the supplied tapping screws. Drill a 7/64" pilot hole through the material and into the seat frame before installing the screws.



Die cut board 1 each side
Part# 60000B included in 60000A



Press black board into sides