

*Thunderbird Specialists*  
**CASCO**  
SINCE 1969



Shop online at **ClassicTBird.com**

**1955-1957 THUNDERBIRD ILLUSTRATED CATALOG 2023**



# CLASSIC AUTO SUPPLY CO., INC.

## CASCO HISTORY - A FAMILY TRADITION

It didn't start out to be a business. We didn't buy a building, slap a sign on it and announce to the world "Here we are - buy your T-Bird parts from us" nor did we even start out as a planned business venture. Bill Brown was an engineer and product manager for GE. However, he was also a "car nut" and enjoyed working on cars. At the suggestion of his wife Sue, Bill purchased a '57 T-Bird that needed some work. This was in 1968. As the restoration process progressed, Bill found that there were many parts that he needed that weren't available for his own car, and as a service to other T-Birders he found sources and had these parts reproduced. At that time, there were few T-Bird parts vendors and Bill only reproduced parts that were not available elsewhere.

The parts inventory grew and began to consume every available nook in Bill & Sue's house. The glass production took over the garage, Sue's oven was being used to bake grommets, and a makeshift order processing center was set up among the parts in the basement. It soon became clear that either the T-Bird parts would have to go or Bill and Sue were going to have to move. So in 1975, after quitting his position at GE, Bill purchased the buildings of an abandoned lumber company and CASCO moved to its present location. As the business grew, more and more parts were manufactured by CASCO's growing force of craftsmen. CASCO manufacturing now covers over 3000 square feet and includes manual and CNC milling, turning, cutting, bending, punching, and welding machines.

In 1979, after having a bad experience with a restoration facility on Bill's '66 Bird, Bill & Sue decided to open their own restoration business. This turned out to be a double benefit because the restoration work became an in - house application lab for testing and improving the parts being developed for sale.

Bill & Sue retired in 2000, and the business is now run by Jim & Betsy Brown. The family tradition of integrity and service continues as we celebrate our 54th year of serving the hobby as your Thunderbird Specialists. We stock over 3500 items and are ready to serve your Classic T-Bird needs.



### HOURS OF OPERATION

**PARTS DEPARTMENT** - 8:30am - 5:00pm Monday - Friday

**E-mail:** sales@ClassicTBird.com    **WEB ADDRESS:** [ClassicTBird.com](http://ClassicTBird.com)

**RESTORATION DIVISION** - 8:30am TO 4:30pm - M-F, email: [techinfo@ClassicTBird.com](mailto:techinfo@ClassicTBird.com)

**SATURDAY HOURS** - Please call for Saturday appointments

**PHONES:** PARTS (740) 622-8561 / RESTORATIONS (740) 622-9700 / FAX (740) 622-5151

**TOLL-FREE ORDER LINE: (800) 374-0914**    **TOLL-FREE FAX LINE: (800) 513-5806**

**Postal & Shipping Address:** 795 High Street, Coshocton, Ohio 43812

**"LIKE" us on Facebook:** [facebook.com/ClassicTBird](https://facebook.com/ClassicTBird)



## Understanding Our Catalog

In order to minimize confusion, please review the following before placing your order.

Please use complete **part number** shown. Include all letter suffix.

Use part number from the text - not the illustration.

Please write at least enough of the **description** on the order form to make it clear what you actually want. Specify RH or LH, with power, etc. as required.

**Price** for each part number ordered. If description states pair, set, or kit, then the price is for one pair, set, or kit etc. Otherwise the price is for each piece. Price is US\$

## Pricing Notes

\* Prices are subject to change without notice.

\* All prices are current on our site: ClassicTBird.com

\* Availability of parts is subject to prior sale.

\* Some items are shipped by truck or billed with actual shipping charges as noted on the specific part.

## Damaged Parts

We package the parts you purchase from us with care, so that with reasonable handling they will reach you in the same good condition that they leave us. However, occasional damage does occur.

If you receive parts that were damaged in shipment, please:

DAMAGED SURFACE SHIPMENTS (FED EX or UPS)

**Please be sure to keep the parts, package, and all packing.**

**Please call CASCO at 1 - 800-374-0914 as soon as possible to report the damage.**

After the carrier has inspected the damaged package and approved the claim, we will replace the damaged parts.

UPS damage claims: 1 - 800 - 742 - 5877

Fed Ex damage claims: 1 - 800 - GO - FEDEX

PARCEL POST SHIPMENTS - 1. Take the damaged parts and packaging to your local post office and file a claim - have payment made to CASCO. 2. When we receive notice from postal office that the claim is processed, we will replace the damaged parts.

Official Licensed Product

*Ford Motor Company*

CASCO is proud to be an authorized manufacturer of Ford trademark parts. As a manufacturer of many of these products, Classic Auto has met many quality requirements that go beyond the trademark parts. CASCO's quality control process was reviewed, modified, and approved by Ford Motor Company. When you buy a part that has a Ford trademark you are assured this part has been surveyed by Ford Motor Company and meets stringent quality standards.

## COVER ART

Our cover car is from our archives. This black '55 belonged to Paul & Dee Wilcox of Columbus, Ohio. The Wilcox's were great people, involved in the Columbus club (yes there was a Columbus club) and were frequent attendees at area events including the Bird Bash and September Song.

## SIGN UP FOR OUR FREE EMAIL NEWSLETTER!

CASCO's email newsletter is sent out approximately once a month. It contains shop tips, specials, and articles that we think our customers may find interesting. Rest assured, we use your email address for this newsletter only and do not give it out to others. To register for our newsletter, visit our web site at ClassicTBird.com and click on the link to "Sign up for our E-mail Newsletter" or just tell us when you call in for your next order and we can sign you up.

## CASCO LOYALTY REWARDS PROGRAM

CASCO customers are automatically enrolled in the CASCO LOYALTY REWARDS PROGRAM in which they are rewarded for every dollar spent on Thunderbird parts from CASCO.

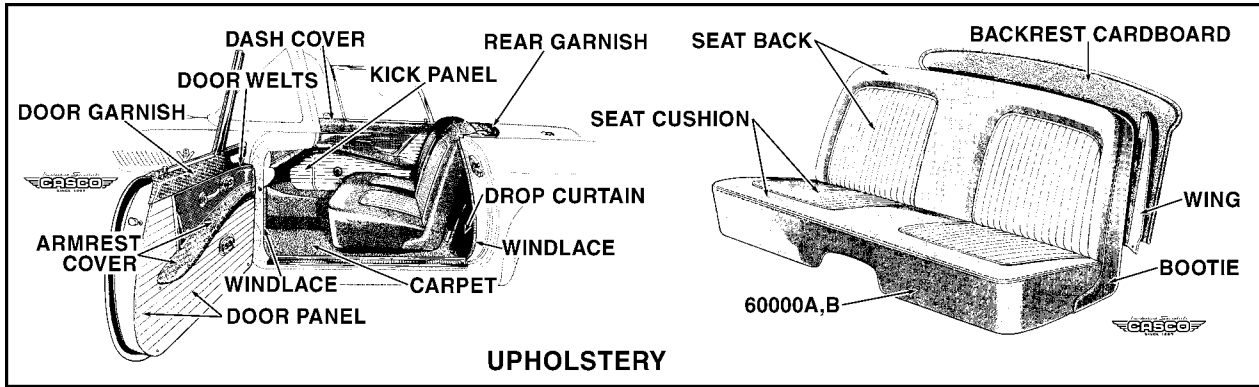
When you purchase \$1 in parts you receive one point. Once you accumulate 500 points, they can be turned in for \$10 off your order. Occasionally we have promotional times when we offer double points or other points promotions. See our web site or read our email newsletter for updates on when these promotions will occur.

You don't have to do anything to participate other than to purchase your parts from CASCO. Current point total is printed at the bottom of your most recent invoice.

## 2023 Classic Thunderbird Parts Illustrated Catalog

	Page
Accessories .....	5, 46, 47
Brakes .....	8-11
Bumpers .....	56-57
Car Care Products.....	17
Cockpit Area & Glass.....	36-39
Cooling & Body Front .....	28-29
Decals.....	35
Door Parts .....	62-64
Electrical - Charging & Starter .....	40-41
Electrical - Ignition System .....	42-43
Engine & Mounts .....	21-24
Exhaust System.....	18-19
Electrical - Lamps & Body .....	48-53
Floor Mats & Seat Belts.....	5
Front Fenders & Hood .....	54
Front Suspension .....	12
Fuel System.....	30-33
Hardware .....	75-78
Hardware Kits .....	44-46
Heater.....	58-59
Index.....	86-88
Memorabilia .....	46-47
Mirrors .....	39, 64
Monthly Specials .....	74
Name Tags .....	59
Paint & Adhesives.....	30
Radio & Antenna.....	60
Rear Axles & Driveshaft.....	16
Rear Quarters & Skirts .....	65
Rear Springs.....	20
Repair Panels.....	72-74
Security Devices.....	59
Shock Absorbers .....	15
Steering .....	13-15
Technical Information & Literature .....	27
Tires.....	7
Tools .....	57
Tops.....	68-71
Transmission, Overdrive & Shifters .....	24-26
Trunk .....	66-67
Upholstery .....	2-4
Ventilation Systems .....	34
Vinyl Dye .....	4
Wheels & Hubcaps.....	6
Windshield Wipers & Washers .....	55

# UPHOLSTERY



We are very proud of the upholstery materials that we are able to offer. We feel that there is none available anywhere that is better. Colors are correct as is the grain of the vinyl. If you would like a sample swatch please let us know and we will be happy to send it.

## COMPLETE UPHOLSTERY KIT

Our vinyl upholstery kit consists of:

SEAT SET	DASH COVERING (55 & 56 ONLY)	CARPET WITH JUTE PAD
GARNISH SET	BACKREST CARDBOARD	DOOR TRIM WELTS
WINDLACE SET	ARMREST COVERS	DROP CURTAIN
DOOR PANELS	VINYL FLOOR COVER	QUARTER PANELS
	KICK PANELS	

## Upholstery Kit colors:

Black & White	
Red & White	
55 Turquoise & White	
55 Black & Yellow	
56 Peacock & White	
56 Green & White	
56 Tan & White	57 White
57 Blue	57 Red
57 Bronze	57 Green

Upholstery Kit Prices are as follows:

1955 - All colors - \$1108.00	
1956 - All colors with embossment \$1138.00	Without embossment \$1108.00
1957 - B&W, Blue, Bronze, Green, White with embossment \$1138.00	Without \$1108.00
1957 - (non-original) Red & White with embossment \$1138.00	Without emb \$1108.00

## ARMREST COVERING

ARC 56BK - 55/56 black	ARC 5RD - 55 red	ARC 5TQ - 55 turquoise
ARC 7BK - 57 black	ARC 6RD - 56 red	ARC 6SG - 56 sage green
ARC 6TN - 56 tan	ARC 6PC - 56 peacock	ARC 7WH - 57 white
ARC 7BL - 57 blue	ARC 7RD - 57 red	ARC 7BZ - 57 bronze*

Available to match all seat cover colors. Ready to install ..... 48.50 Pair  
 117 HWK Arm Rests to Door Panels - 16 pcs ... 2.10

## BACKREST CARDBOARD

BRC BK - black	BRC 5RD - 55 red	BRC 5TQ - 55 turquoise
BRC 6TN - 56 tan	BRC 6RD - 56 red	BRC 6SG - 56 sage green
BRC 7BL - 57 blue	BRC 6PC - 56 peacock	BRC 7WH - 57 white
BRC 7RD - 57 red		BRC 7BZ - 57 bronze*

Available to match all of the seat cover set colors shown above. Has edge vinyl stitched. This is not included in Seat Cover Sets listed above ..... 51.50 Each  
 120 HWK - Backrest Cardboard & Wings to Seat Back - 48 pcs ..... 5.75

## CARPET & JUTE PADS

CPT 5BK - 55 black	CPT 5RD - 55 red	CPT 5TQ - 55 turquoise
CPT 6BK - 56/57 black	CPT 6RD - 56 red	CPT 6SG - 56 sage green
CPT 6TN - 56 tan	CPT 7RD - 57 red	CPT 6PC - 56 peacock
CPT 7BL - 57 blue		CPT 7BZ - 57 bronze*

Carpet mats available in same material/color. See page 5

Supplied with cloth binding and heel and toe pad like original. Also includes jute pads (4 pcs). Available to match all of the seat cover colors ..... 208.00 Set  
**JPAD Jute pad only** (comes with carpet, above) ..... 33.00 Set  
**TPAD** Superior pad with reinforced foil backing ( \$13.00 with purchase of carpet and no jute ) ..... 34.95 Set

## DASH COVERING

DC 56BK - 55/56 black	DC 5RD - 55 red	DC 5TQ - 55 turquoise
DC 6TN - 56 tan	DC 6RD - 56 red	DC 6SG - 56 sage green
		DC 6PC - 56 peacock

Vinyl to cover 55 & 56 dashes - available to match all seat cover colors - sewn as original. .... 57.00 Each  
 (For 57 dash see 04290C padded dash, page 36)

## DOOR PANELS

Excellent reproductions of the original hardboard panel with covering installed. 1955 sets are white with heat seam as original, 1956 sets are white with heat seamed stitching as original, 1957 sets are available in white (colonial) or colors (below) and have the T-Bird embossment as original

DPL 5 - 55 white, DPL 6 - 56 white, DPL 7WH - 57 white	..... 199.00 Pair
DPL 7RD - 57 red, DPL 7BL - 57 blue, DPL 7GN - 57 green, DPL 7BZ - 57 bronze, DPL 5Y - 55 Yellow	..... 199.00 Pair
110A HWK - Door Panels to Door 55/56 - 32 pcs.....8.99	110C Door Panels to Door W/O Clips - 55/56 - 12 pcs.....2.25
110B HWK - Door Panels to Door 57 - 28 pcs.....8.99	110D Door Panels to Door W/O Clips - 57 - 8 pcs.....2.00



**DOOR TRIM WELTS**

- |                       |                     |                        |
|-----------------------|---------------------|------------------------|
| DW 56BK - 55/56 black | DW 5RD - 55 red     | DW 5TQ - 55 turquoise  |
| DW 7BK - 57 black     | DW 6RD - 56 red     | DW 6SG - 56 sage green |
| DW 6TN - 56 tan       | DW 6PC - 56 peacock | DW 7WH - 57 white      |
| DW 7BL - 57 blue      | DW 7RD - 57 red     | DW 7BZ - 57 bronze*    |

Goes between door trim panel and spacer - color matches garnish - pair..... 14.50 Pair

**DROP CURTAIN**

- |                        |                      |                         |
|------------------------|----------------------|-------------------------|
| DCN 56BK - 55/56 black | DCN 5RD - 55 red     | DCN 5TQ - 55 turquoise  |
| DCN 7BK - 57 black     | DCN 6RD - 56 red     | DCN 6SG - 56 sage green |
| DCN 6TN - 56 tan       | DCN 6PC - 56 peacock | DCN 7WH - 57 white      |
| DCN 7BL - 57 blue      | DCN 7RD - 57 red     | DCN 7BZ - 57 bronze*    |

Available to match all seat cover colors - with snaps ready to install..... 75.00 Each

**GARNISH SET**

- |                       |                     |                        |
|-----------------------|---------------------|------------------------|
| GS 56BK - 55/56 black | GS 5RD - 55 red     | GS 5TQ - 55 turquoise  |
| GS 7BK - 57 black     | GS 6RD - 56 red     | GS 6SG - 56 sage green |
| GS 6TN - 56 tan       | GS 6PC - 56 peacock | GS 7WH - 57 white      |
| GS 7BL - 57 blue      | GS 7RD - 57 red     | GS 7BZ - 57 bronze*    |

Available to match all seat cover colors - three piece set to cover door garnish rails and panel behind seat on rear deck..... 21.50 Set

- 115 HWK Door Garnish (20906 - 7)to Door - 8 pcs .... 1.80  
 115A HWK Door Garnish (20906 - 7)to Door - Oversize Threads - 8 pcs ... 2.10

**HEADLINER**

- |                             |                              |
|-----------------------------|------------------------------|
| HLR 4W - 4 bow, 55/56 white | HLR 4 - 4 bow, 57 bone white |
| HLR 5W - 5 bow, 55/56 white | HLR 5 - 5 bow, 57 bone white |

White perforated vinyl with "wire - on" border strip. Available in 4 bow or 5 bow style. .... 97.95 Set  
 Wireon (only) for headliner - WIREON - 57 bone white, WIREONW - 55/56 white ..... 11.75 Each



**KICK PANELS**

Supplied with same materials as door panels in the same colors mounted and ready to install

- KP 5 - 55 white, KP 6 - 56 white, KP 7WH - 57 white ..... 98.00 Pair  
 KP 5Y - 55 yellow, KP 7RD - 57 red, KP 7BL - 57 blue, KP 7GN - 57 green, KP 7BZ - 57 bronze ..... 98.00 Pair

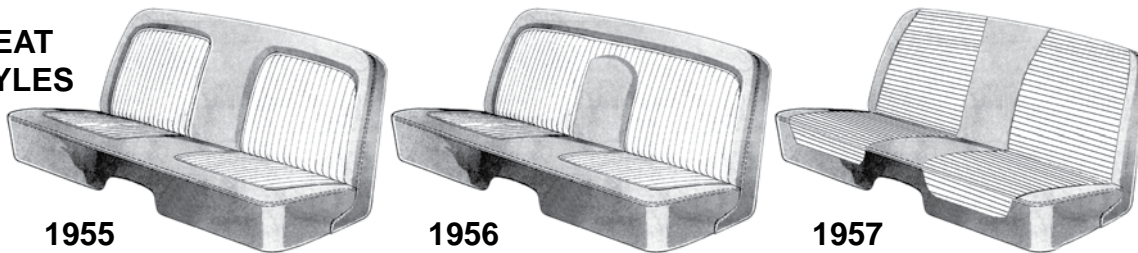
**QUARTER PANELS**

- |                     |                        |                     |
|---------------------|------------------------|---------------------|
| QP BK - black       | QP 5WH - 55/56 white   | QP 5Y - 55 yellow   |
| QP 6PC - 56 peacock | QP 6RD - 56 red        | QP 7BL - 57 blue    |
| QP 6TN - 56 tan     | QP 7RD - 57 red        | QP 7BZ - 57 bronze* |
| QP 7WH - 57 white   | QP 6SG - 56 sage green |                     |

Available in proper colors to match seat cover sets. Edge vinyl stitched and ready to install. Goes between door opening and rear wheel housing behind seat..... 49.90 Pair

- 135 HWK - Quarter Trim Panels to Body - 20 pcs ..... 2.85

**SEAT STYLES**



**Seat Sets, garnish, arm rest cover & dash cover available in leather. Call for a quote**

**SEAT COVER SETS**

Includes covers for seat cushion and back cushion, wings, and booties. Backrest cardboard is sold separately  
 1956 & 1957 sets available with embossment as supplied originally on all 56's and early 57's.



- 1955 Seat Sets - (without embossment)** ..... 364.00 Set  
 SS 55BW - 55 black & white SS 55RW - 55 red & white SS 55TW - 55 turquoise & white  
 SS 55BY - 55 black & yellow ... 327.00
- 1956 Seat Set without embossment**..... 384.00 Set  
 SS 56BWP - 56 black & white SS 56RWP - 56 red & white SS 56TWP - 56 tan & white  
 SS 56PWP - peacock & white SS 56GWP - 56 green & white
- 1956 Seat Set WITH embossment** ..... 414.00 Set  
 SS 56BWE - 56 black & white SS 56RWE - 56 red & white SS 56TWE - 56 tan & white  
 SS 56PWE - peacock & white SS 56GWE - 56 green & white
- 1957 Seat Set without embossment**..... 384.00 Set  
 SS 57BWP - 57 black & white SS 57BP - 57 blue SS 57BZP - 57 bronze\*  
 SS 57RP - 57 red SS 57WP - 57 white SS 57RWP - 57 red & white (non - original)
- 1957 Seat Set WITH embossment** ..... 414.00 Set  
 SS 57BWE - 57 black & white SS 57BE - 57 blue SS 57BZE - 57 bronze\*  
 SS 57RE - 57 red SS 57WE - 57 white SS 57RWE - 57 red & white (non - original)  
 SS 57GE - 1957 Two-tone green with Embossment



Custom upholstery also available.  
 Call for a quote.

★ **T-BIRD FACTS**

□ All '56's and early '57's were supplied with seat embossment. '55's did not have one.



**SEAT FOAM**

New foam cut to match the original moulded shape to replace your tired original. **\*\*BEST AVAILABLE\*\***

<b>SF 55</b>	1955 Back & Bottom Foam Set.....	540.00 Set	
<b>SF 56</b>	1956 Back & Bottom Foam Set.....	503.00 Set	
<b>SF 57</b>	1957 Back & Bottom Foam Set.....	448.00 Set	
Seat or back available separately:			
<b>SF 55S</b>	.....1955 Seat Bottom foam only .....	235.00	<b>SF 55B</b> .....55 Back foam only..... 305.00
<b>SF 56S</b>	.....1956 Seat Bottom foam only .....	241.00	<b>SF 56B</b> .....56 Back foam only..... 262.00
<b>SF 57S</b>	.....1957 Seat Bottom foam only .....	220.00	<b>SF 57B</b> .....57 Back foam only..... 228.00

**SEAT ACCESSORIES:**

<b>60000A</b>	Seat tack strip set - Allows you to replace the worn and/or damaged tack strips on the seat frame. Includes the 60000B stiffeners shown below.....	24.95 Set
<b>60000B</b>	Seat Stiffener boards - goes on seat bottom at the front - Pair.....	4.00 Pair
<b>60000C</b>	Burlap Covering for the Seat Frame. Enough for Both Seat & Back .....	11.57 Set
<b>60000D</b>	Hog Rings & Tacks - More Than Enough to Install Seat Covering .....	11.13 Set

**TONNEAU COVER**

<b>TNC 56BK</b> - 55/56 black	<b>TNC 5RD</b> - 55 red	<b>TNC 5TQ</b> - 55 turquoise
<b>TNC 7BK</b> - 57 black	<b>TNC 6RD</b> - 56 red	<b>TNC 6SG</b> - 56 sage green
<b>TNC 6TN</b> - 57 tan	<b>TNC 6PC</b> - 56 peacock	<b>TNC 7WH</b> - 57 white
<b>TNC 7BL</b> - 57 blue	<b>TNC 7RD</b> - 57 red	<b>TNC 7BZ</b> - 57 bronze

Factory original type - supplied in all colors to match seat covers. Snaps supplied but not installed..... 247.00 Each

**VINYL FLOOR COVER - SMALL**

<b>VFC 5TQS</b> - 55 turquoise	<b>VFC 5RDS</b> - 55 red	<b>VFC 56BKS</b> - 55/56 black
<b>VFC 6PCS</b> - 56 peacock	<b>VFC 6RDS</b> - 56 red	<b>VFC 6TNS</b> - 56 tan
	<b>VFC 6SGS</b> - 56 green	

Available in all the 55 and 56 colors. Used originally on all 55's and all 56's except those with tonneau covers - goes on floor behind seat - covers hump only..... 11.00 Each

**VINYL FLOOR COVER - FULL WIDTH**

<b>VFC 5TQ</b> - 55 turquoise	<b>VFC 5RD</b> - 55 red	<b>VFC 56BK</b> - 55/56 black
<b>VFC 6PC</b> - 56 peacock	<b>VFC 6RD</b> - 56 red	<b>VFC 6TN</b> - 56 tan
<b>VFC 7BK</b> - 57 black	<b>VFC 6SG</b> - 56 green	<b>VFC 7BL</b> - 57 blue
<b>VFC 7RD</b> - 57 red	<b>VFC 7BZ</b> - 57 bronze	<b>VFC 7WH</b> - 57 white

Available to match all seat cover colors for all years - goes on floor between seat and drop curtain - full width - sewn as originally used on all 57's and 56's with tonneau cover - We recommend this for all except show cars..... 25.00 Each

**MID-CARPET FLOOR COVER - Non-original replacement carpet for behind seat**

<b>CPTMF 55BK</b> - black	<b>CPTMF 55RD</b> - 55 red	<b>CPTMF 55TQ</b> - 55 turquoise
<b>CPTMF 56PC</b> - 56 peacock	<b>CPTMF 56RD</b> - 56 red	<b>CPTMF 56SG</b> - 56 sage green
<b>CPTMF 56TN</b> - 56 tan	<b>CPTMF 57BL</b> - 57 blue	<b>CPTMF 57BZ</b> - 57 bronze
<b>CPTMF 57GN</b> - 57 green	<b>CPTMF 57RD</b> - 57 red	

Available in same colors & material as our carpet. This "mid-carpet" goes behind the seat in place of the vinyl floor cover. A nice upgrade to your interior for non-original cars..... 78.00 Each

**WINDLACE SET**

Vinyl covered - four pieces, ready to install at the front and rear of the door opening..... 46.90 Set

<b>WL 56BK</b> - 55/56 black	<b>WL 5RD</b> - 55 red	<b>WL 5TQ</b> - 55 turquoise
<b>WL 6PC</b> - 56 peacock	<b>WL 6RD</b> - 56 red	<b>WL 6SG</b> - 56 sage green
<b>WL 6TN</b> - 56 tan	<b>WL 7DB</b> - 57 dark blue	<b>WL 7WH</b> - 57 white
<b>WL 7BL</b> - 57 blue	<b>WL 7RD</b> - 57 red	<b>WL 7BZ</b> - 57 bronze

Cloth covered windlace set: **WL 5RDC** - 55 red, **WL 56BKC** - 55/56 black..... 46.90 Set  
 Cloth covered windlace set: **WL 6RDC** - 56 red, **WL 6PCC** - 56 peacock..... 46.90 Set

**INTERIOR TRIM SCREW KITS**

Includes hardware for: inside mirror, visors, inner windshield mouldings, door panels, door garnish plates, door garnish, seat back, inner vent grilles, step plates, quarter trim panels, steering column trim, instrument cluster trim, & hood release bracket.

<b>ITSK55</b>	Interior Screw kits - 55 - 142 pcs.....	28.00
<b>ITSK56</b>	Interior Screw kits - 56 - 158 pcs.....	33.00
<b>ITSK57</b>	Interior Screw kits - 57 - 161 pcs.....	35.00

★ **T-BIRD FACTS**

- All porthole tops and all 57 tops use 4 bow headliners.
- All classic T-Birds were supplied with vinyl interiors.
- Tonneau covers were available in '56 and '57 only and were not completely removable. They were attached to the rear deck similar to the drop curtain.

**VINYL DYE**

**1955 MODELS**

**1956 MODELS**

**1957 MODELS**

Our vinyl dye is color matched to our upholstery vinyls. We use this in our shop with excellent results. We not only use this dye to color the vinyl we also use it to paint the metal parts of the dash and the steering wheel. Plan on 2 - 3 pints of color to do a complete interior.

CC101	Turquoise
CC102	Dark Green
CC103	Red
CC104	Black
CC105	White
CC117	Yellow

CC104	Black
CC105	White
CC106	Fiesta Red
CC107	Peacock
CC108	Buckskin Tan
CC109	Sage Green

CC104	Black
CC110	Colonial White
CC111	Dresden Blue (Dark)
CC112	Starmist Blue (Light)
CC113	Cumberland Green (Dark)
CC114	Willow Green (Light)
CC115	Red
CC116	Bronze
CC118	Dusk Rose

Pint of Color Coating Only - Order By CCxxx Number Above.....	59.90 pint
CC100 Clear Gloss and Wax & Grease remover - To Overcoat Steering Wheel - 1/2 pint.....	56.95 kit
CC100A Wax & Grease remover Only - To Enhance Adhesion - 11 oz Spray Can .....	34.00 each
CC200 Preval Sprayer Complete With Bottle.....	10.50 each
CC201 Preval Sprayer Power Unit Only.....	9.55 each

For best results we recommend that when changing colors you first apply a coat of CC105 white then use new color.



# ACCESSORIES



## THIRD BRAKE LIGHT FOR MORE SAFETY

CASCO is proud to announce that we have designed a wonderful LED third brake light for use on your classic T-Bird. This lamp adds a level of visibility which increases the safe operation of your classic car. The unique design allows TEMPORARY and semi - permanent installation without permanent changes to your vehicle. In fact if you purchase extra wiring harnesses, you are seconds away from moving your lamp assembly to any of your classic cars!

Fastens to the rear of your trunk lid with either suction cups or double sided foam tape.

The supplied wiring harness taps into your car's stoplight circuit without cutting or splicing your original wiring. Lamp module is shipped in primer. You paint to match/coordinate with your vehicle's. Kit includes LED module, wiring harness, suction cups, double sided foam tape, and instructions.



- |         |   |        |
|---------|---|--------|
| 13467A  | Third brake light LED w/ Wiring - 12V .....     | 139.95 |
| 13467A6 | Third brake light LED w/ Wiring - 6V .....      | 168.00 |
| 13467H  | Extra wiring harness for third brake light..... | 29.95  |



## CIGARETTE LIGHTER CHARGER

Frustrated that your phone charger doesn't work in your TBird? Easily modify your TBird lighter socket so it can be used to charge/run portable electronics. Simply snap the special button into the bottom of the lighter socket with the supplied tool (pencil) and start charging with the supplied USB socket charger.

Note: The original cigar lighter will still fit in the socket, but it will no longer function unless button is removed.

Input: 12 to 24 volt Output: 5 volt @ 1amp max

- |         |                           |       |
|---------|---------------------------|-------|
| 15052PO | USB Power Outlet Kit..... | 12.00 |
|---------|---------------------------|-------|

## SHOP TIPS

□ Our shop recommends that when dyeing a '57 dash you first clean it well and then apply a plastic prep followed by a coat of white dye before applying the final color coat.

## ACRYLIC DRINK CADDIE

If you drive your Bird you will really appreciate this classy drink holder. It is made of clear acrylic and sports a Thunderbird logo in the center. It is specially designed to slip between the floor and the seat on the hump.



- |               |       |
|---------------|-------|
| DCADDIE ..... | 38.95 |
|---------------|-------|



Rubber Floor Mats



Carpeted Floor Mats

**RUBBER FLOOR MAT** All rubber floor mats with white Thunderbird emblem and Thunderbird Script. Gripper backing.

- |                              |                      |       |
|------------------------------|----------------------|-------|
| <b>RFM BK</b> (black)        | <b>RFM RD</b> (red)  |       |
| <b>RFM PC</b> (peacock)      | <b>RFM BL</b> (blue) |       |
| <b>RFM WG</b> (willow green) |                      | 89.95 |

## CARPET FLOOR MAT

Replacement carpet floor mats for your Thunderbird.

- |                           |                                |        |
|---------------------------|--------------------------------|--------|
| <b>CFM 55BK</b> (black)   | <b>CFM 55TQ</b> (turquoise)    |        |
| <b>CFM 55RD</b> (red)     | <b>CFM 56TN</b> (buckskin tan) |        |
| <b>CFM 56RD</b> (red)     | <b>CFM 56SG</b> (sage green)   |        |
| <b>CFM 56PC</b> (peacock) |                                |        |
| <b>CFM 57BL</b> (blue)    | <b>CFM 57BZ</b> (bronze)       |        |
| <b>CFM 57RD</b> (red)     | <b>CFM 57GN</b> (green)        | 124.95 |

## SEAT BELTS

We all know we should use them. C.T.C.I. says no deductions for having non - original belts. Two (or three) belt sets used per car. Prices listed below are for one set which is for one person. Black belts come with a chrome buckle.

- |               |       |
|---------------|-------|
| SBELTBK ..... | 55.00 |
|---------------|-------|



Our Top Quality custom T-Bird belts have webbing to match many T-Bird interiors and are supplied with a chrome lift - to - release buckle and 1 - bolt mount as pictured above. Web length is correct for 55-57 T-Birds. These belts are available in the following colors:

- |                           |       |                             |       |
|---------------------------|-------|-----------------------------|-------|
| White: SBELTWH .....      | 73.00 | 55 Turquoise: SBELT5TQ..... | 73.00 |
| 55/57 Red: SBELT57RD..... | 73.00 | 56 Red: SBELT6RD .....      | 78.00 |
| 56 Tan: SBELT6TN.....     | 73.00 | 57 Blue: SBELT7BL .....     | 78.00 |



**SEAT BELT RETRACTOR** Keep your belt coiled up neatly. Available in either a matte finish black plastic or steel with a chrome finish.

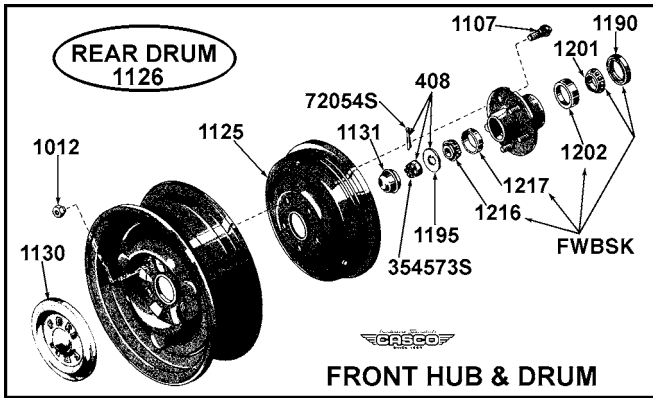
- |      |  |       |
|------|--|-------|
| SBR1 | Black plastic buckle retractor .....   | 9.10  |
| SBR2 | Chrome metal clip - on retractor ..... | 31.00 |

- |       |  |       |
|-------|--|-------|
| 61212 | Seat Belt Brackets - Original Style - Pair ..... | 59.95 |
|-------|--|-------|





# WHEELS, HUBCAPS & TIRES



- 1012 Wheel Nut .....80
- 1107 Bolt - Fr. & Rr. Hub & Spare Carrier - 56.....3.15

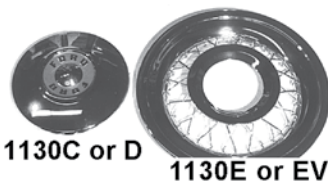
**NOW AVAILABLE: Brake drums made with detailed features per original specifications, balanced, and MADE IN THE USA. These are the best brake drums available!**

- 1125A Front Brake Drum - 55/56 .....152.95
- 1125B Front Brake Drum - 57 .....152.95
- 1126A Rear Brake Drum - 55/56 .....152.95
- 1126B Rear Brake Drum - 57 .....152.95

**NOTE: BRAKE DRUMS SHIPPED AT ACTUAL COST**

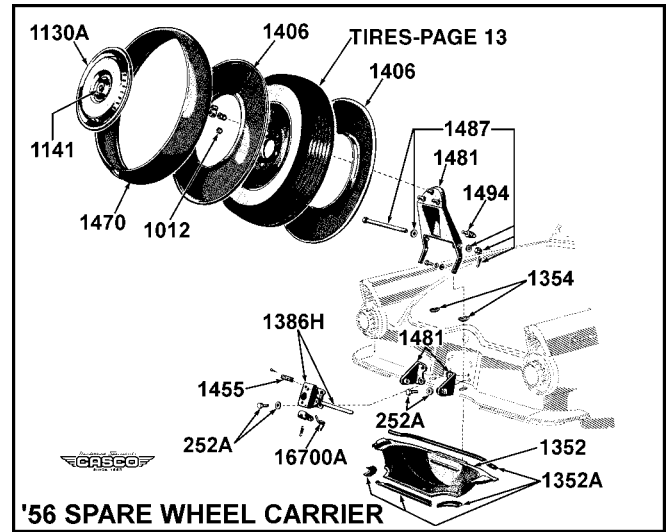


- 1130A Hubcap - 55/56 Full Wheel.....154.95
- 1130B Hubcap - 57 Full Wheel.....163.00
- 1130C Hubcap - 55 - Small - Red Center.....45.95
- 1130D Hubcap - 56 - Small - White Center .....45.95
- 1130E Hubcap - 55/56 - wire basket hubcap - Snaps directly onto rim like a full wheel hubcap without use of old style clips. Looks like original when installed.....176.00
- 1130EV Hubcap - 55/56 - wire basket hubcap - Snaps directly on to rim like a full wheel hubcap without use of old style clips, but has a hole for valve stem extension .....176.00



New "no clips" style - looks just like originals

SEE BELOW to order these hubcaps in sets and SAVE \$



## '56 SPARE WHEEL CARRIER

For 1131 Installation tool see page 57 - TL8

- 1131 Cap - Hub Grease .....3.95



- 1132 Hubcap Removal Tool - Was Supplied With all '56 Birds. An excellent reproduction. Great for use On Other Cars Too .....10.45



- 1141 Plastic Medallion - Wheel Cover - 55/56 - (Included With 1130A).....26.89
- 1150 Clip & Bumper for Wire Wheel Hubcaps Spring Steel Like Original .....4.15
- 1151 Rubber Bumper Only for Wire Wheel Clip .....50
- 1190 Seal - Front Wheel Grease .....4.74
- 1195 Washer - Special Front Spindle.....9.50
- 1201 Cone & Roller - Fr. Wheel Inner Bearing.....13.08
- 1202 Cup - Fr. Wheel Inner Bearing .....6.54
- 1216 Cone & Roller - Fr. Wheel Outer Bearing.....12.65
- 1217 Cup - Fr. Wheel Outer Bearing.....7.39
- 408 HWK Front Hub to Spindle - 6 pcs .....19.95

**FWBSK Front Wheel Bearing & Seal Kit, 10 pcs.....55.00**

- 1352 Stone Guard - Spare Wheel - 56 - Fiberglass.....182.36
- 252B HWK Contl Kit Stone Guard (1352) to Holder 12 pc.....1.75



## WIRE WHEEL HUBCAP SET DISCOUNTS

### MADE IN THE USA

These hubcap sets are the simulated wire wheel baskets used on 1955 & 1956's but without the bothersome clips! Each set contains the baskets (1130E) and the small cap with white (1130D) or red (1130C) centers. They look just like original when installed.

Save \$60 on sets of 4, or save \$70 on sets of 5

- WHS4RED Set for 4 wheels w/ red center - 55 .....827.50
- WHS4WHITE Set for 4 wheels w/ white center - 56 .....827.50
- WHS5RED Set for 5 wheels w/ red center - 55 .....1039.75
- WHS5WHITE Set for 5 wheels w/ white center - 56 .....1039.75

The same hubcap sets, the simulated wire wheel baskets with no clips, but these sets have a hole in the large trim ring for easy access to the air valve. No need to remove the hubcap to check the air! Each set contains the baskets (1130EV) and the small cap with white (1130D) or red (1130C) centers.

Save \$60 on sets of 4, or save \$70 on sets of 5

- WHS4VR Set for 4 wheels w/ red center - 55 .....827.50
- WHS4VW Set for 4 wheels w/ white center - 56 .....827.50
- WHS5VR Set for 5 wheels w/ red center - 55 .....1039.75
- WHS5VW Set for 5 wheels w/ white center - 56 .....1039.75

- 1352A Seals - Spare Wheel Stone Guard - 56 - 4 pc.....23.37
- 1354 Seals Spare Wheel Stone Guard Atta -  
ching Arm - 56 - Pkg 2 Pcs..... 10.8 5
- 1386H Hinge Lever Assembly - Spare Wheel - 56 .....130.00



Rubber bead not sold separately

- 1406 Tire Cover - Spare Wheel - 56 - Steel - With Rubber Bead Around the Outside Edge To Protect Paint - Like Original.....222.00
- 1455 Bumper - Spare Wheel Hinge - 56 .....5.89
- 1457 Wingnut for spare wheel - like original for 55 & 57 ..... 13.95
- 1457X Wingnut for spare wheel - replacement - 55 & 57...4.01
- 1470 Ring - Spare Wheel Tire Cover - 56 - Fiberglass.....196.95
- 1481 Hinge & Mount - Spare Wheel Holder - With RH & LH Mounting Brackets & 1487 Bolt .....152.00
- 1487 Bolt - Cont. Kit Hinge With Washers, Nut & Cotter Pin - Comes With 1481 ..... 10.45
- 1494 Hinge Locking Pin - Spare Wheel - 56 .....21.85
- 252A HWK Continental Kit hardware - 56 .....5.40

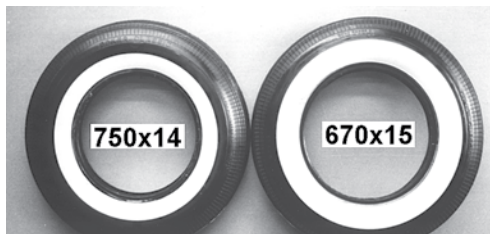


**SCHRADER TIRE VALVES & CAPS**

- 1705 Valve Stem Extension - Concour Correct - 57 ..... 13.10
- 1705AK Valve Stem Extensions - Package of 4 1705's & 1 Valvecap for spare - 57 .....48.95
- 1705BK Valve Extensions - Use With 1130EV 4pc.....7.55
- 1705CK Valve Extensions - Use With 1130EV 5pc.....9.45
- 16700A Spring - Inside Latch Assembly.....4.75
- VALVE556 Valve - Tubeless Tire - 55/56 - Use 5/Car .....80
- VALVE57 Valve - Tubeless Tire - 57 - Use 5/Car .....80
- VALVECAP Valve Caps - Nickel on Brass - Correct For all 55/56's and 57's Without Full Wheelcover Package of 5 Caps.....3.15



**TIRES**



TIRES - The non radial tires we sell are concours acceptable. They are tubeless 4 ply polyester with the proper profile ratio and proper width of whitewall.

**GOODYEAR WIDE WHITEWALL TIRES**

- 670x15G Tire - 670x15 - 2 11/16" Wide White - Goodyear Name in Whitewall - 55/56\* .....387.00
- 750x14G Tire - 750x14 - 2 1/4" Wide White - Goodyear Name in Whitewall - 57\* .....334.00

**WIDE WHITE RADIALS**

**RADIALS by COKER TIRE**

NOT GRIND - OUTS But True Top Quality Wide White Radials. Now You Can Enjoy a MODERN RIDE And Retain That CLASSIC LOOK.

- P205R15 Radial Tire - 15" With 2 3/8" Wide White\* .....373.00
- P205R14 Radial Tire - 14" With 2 3/8" Wide White\* .....373.00

**RADIALS by GOODYEAR®**

Classic wide white radials for the Thunderbird.

- P205R15G Radial Tire - 15" With 2 3/8" Wide White\* .....440.00
- P205R14G Radial Tire - 14" With 2 3/8" Wide White\* .....434.00

\*All tires are drop shipped directly from our supplier to reduce shipping charges. Tires are shipped via UPS or FedEx at actual shipping costs. Call for a quote on shipping to your location.

**WIDE WHITEWALL TIRE CLEANER**

Tire cleaner especially for wide whitewalls. Put the squeeze on grease, grime and more. 16 oz. bottle with spray nozzle. WWTC Tire cleaner for wide whitewalls..... 12.50

**OUR CUSTOMERS WRITE**

"...in this day and age it seems to be a rare occurrence where a merchant will go the extra mile as you did...to try for customer satisfaction." ...Utah

**CASCO on YouTube**

CASCO has produced a series of videos for download to assist hobbyists in various aspects of maintenance and restoration of the Classic Thunderbird. CASCO has put their 50+ years of expertise into the creation of these videos for the hobby. Call or visit our website at [ClassicTBird.com](http://ClassicTBird.com) to find out about newly released videos not mentioned below.



CASCO videos are made in response to requests from our customers for informational material to assist them with their "weekend projects." Now supplied as YouTube® link.

Suggestions for future video topics may be e-mailed to us at [casco@ClassicTBird.com](mailto:casco@ClassicTBird.com).



**SHOP MANUALS ON YOUR COMPUTER**



NEW Lower Pricing! PDF format for easy searching!

- SHOP MANUALS on USB. One year per USB. PDF format. SM55-USB, SM56-USB, SM57-USB ..... 21.95



# BRAKES

00134	Spacer - Brake Pedal Support to Body .....	3.80
1001	Gasket - Rear Wheel Bearing Retainer.....	1.70
1106	Front Hub - 55/57 Made in USA.....	109.50

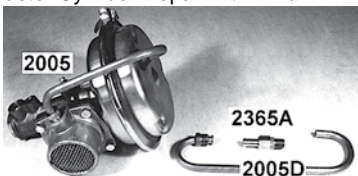
**NOW AVAILABLE: Brake drums made with detailed features per original specifications, balanced, and MADE IN THE USA.**

**These are the best brake drums available!**

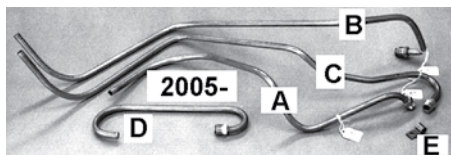
1125A	Front Brake Drum - 55/56 .....	152.95
1125B	Front Brake Drum - 57 .....	152.95
1126A	Rear Brake Drum - 55/56 .....	152.95
1126B	Rear Brake Drum - 57 .....	152.95

**NOTE: BRAKE DRUMS SHIPPED AT ACTUAL COST**

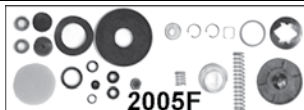
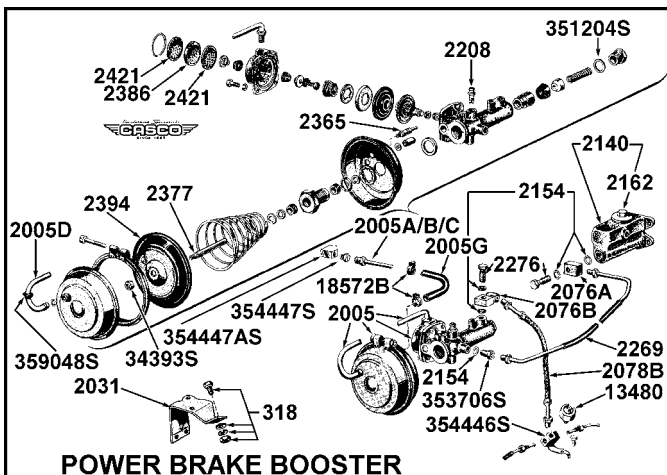
1193	Gasket - Front Brake Grease Baffle.....	2.00
2001	Disc brake pads .....	34.95
2004B	Master Cylinder Repair Kit 1" Dia.....	36.25



2005RR	Power Brake Booster Assy. - Rebuilt unit - does not include 2365A check valve.	
	Additional \$275 CORE CHARGE.....	799.00
2005RF	Power Brake Booster Assy. w FOMOCO-Rebuilt unit does not include 2365A check valve.	
	Additional \$350 CORE CHARGE.....	899.00



2005A	Power Brake Booster Vacuum Line - 55 .....	22.95
2005ASS	Same As Above - Stainless Steel Line .....	34.95
2005B	Power Brake Booster Vacuum Line - 56 .....	26.95
2005BSS	Same As Above - Stainless Steel Line .....	41.95
2005C	Power Brake Booster Vacuum Line - 57 .....	27.95
2005CSS	Same As Above - Stainless Steel Line .....	41.95
2005CE	Power Brake Booster Vac Line - Dual 4.....	11.95
2005CESS	Same As Above - Stainless Steel Line .....	15.95
2005D	Power Brake Booster Line - To Convert Pass. Car Booster to T-Bird - 56/57 .....	15.95
2005DSS	Same As Above - Stainless Steel Line .....	24.95
2005E	Clip - To Hold 2005B & C to 9180 Brkt.....	1.85



2005F	Rebuild Kit - Power Brake Booster - (Does Not Include 2394) .....	240.00
-------	---	--------

2005G	Vacuum Line - Flex - Power Brake Booster .....	2.10
2005GE	Vacuum Line - Flex Powr Brk Boost - 57 "E" .....	3.15
2005GF	Vacuum Line - Flex Powr Brk Boost - 57 "F" .....	3.68

## POWER BRAKE BOOSTER INSTALLATION KIT

YOU SAVE \$12

Parts needed to install Power Brakes on your Bird. Does not include brake booster. See 2005RR & 2005RF for rebuilt brake boosters. #2365 check valve is not included.

PBBK55	For 55's - 16 Items .....	220.36
PBBK56	For 56's - 17 Items .....	245.21
PBBK57	For 57's - 18 Items .....	254.57

## FRONT BRAKE SHOE & LINING KIT

New Brake Shoes - No Exchange.

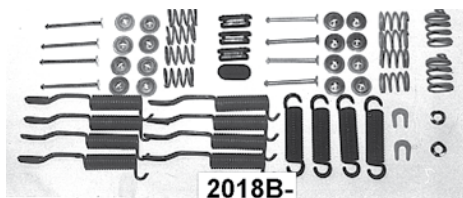
2018-56	Front Brake Shoes - 4 pcs - 55/56 .....	44.15
2018-7	Front Brake Shoes - 4 pcs - 57 .....	42.25



## BRAKE SHOE KIT - FRONT & REAR

Includes 1 each 2018 & 2218.

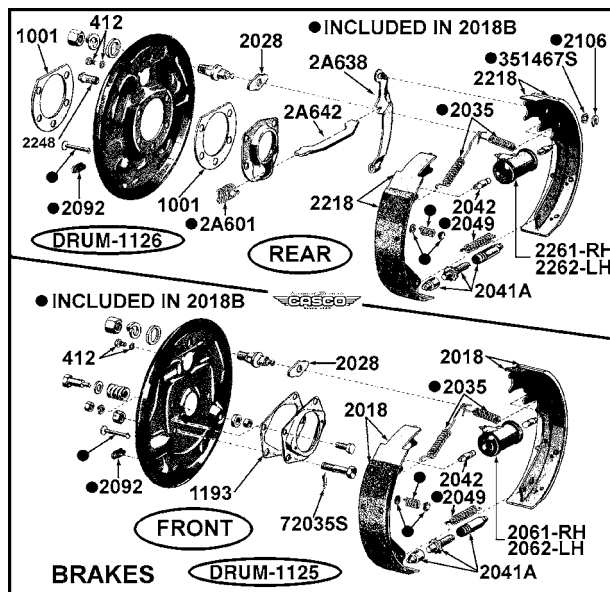
2018A-56K	For 55/56.....	99.15
2018A-7K	For 57.....	99.83



## BRAKE SHOE INSTALLATION KIT

Includes parts in 2018C & D as required.

2018B-56K	For 55/56.....	43.00
2018B-7K	For 57.....	43.00

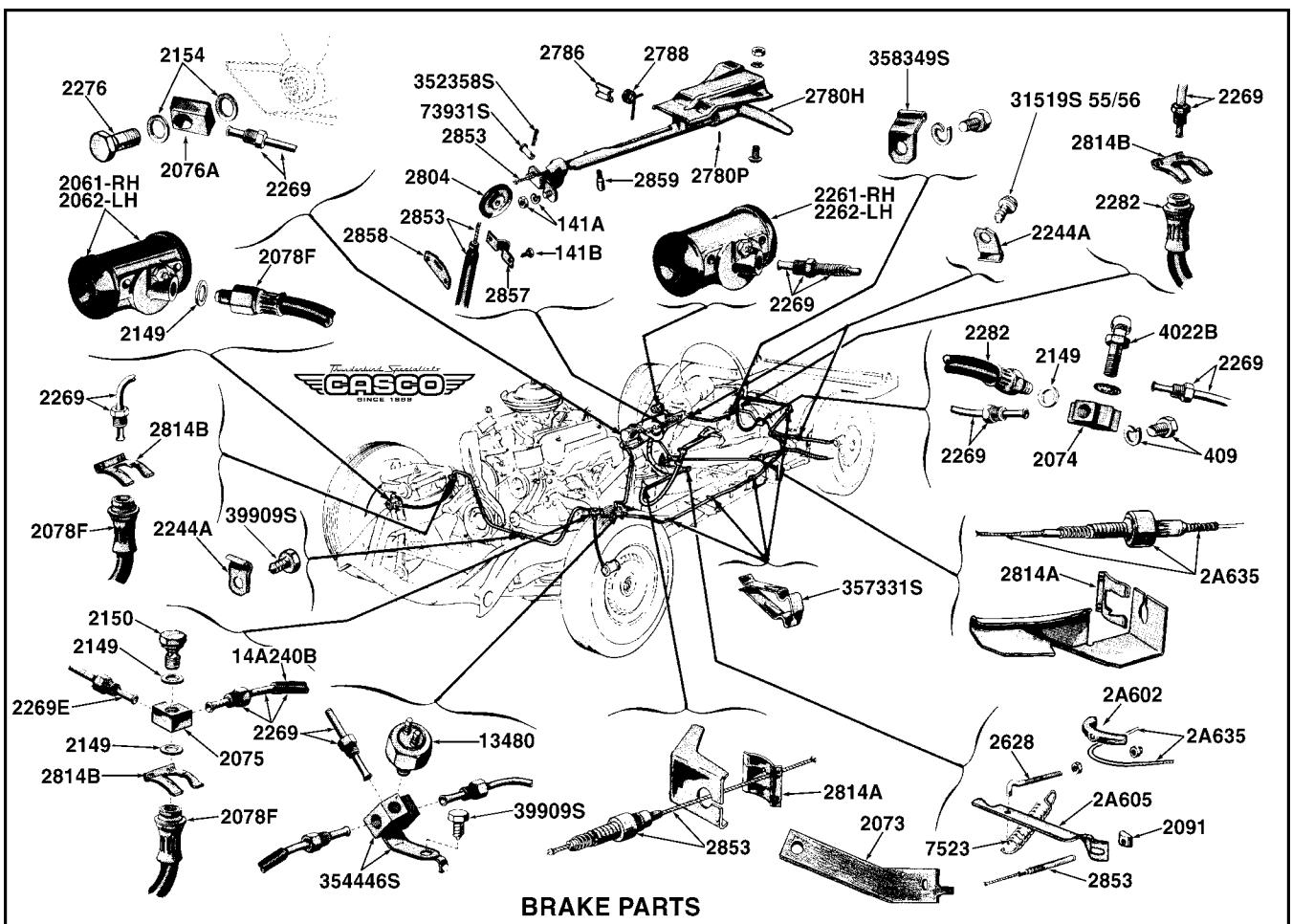


2018C	Kit - Brake Shoe Installation - 55, 56, 57 REAR One kit per vehicle. Contains 4 - 2035; 2 - 2049; 2 - 2092; 2 - 2A094; 2 - 2106; 2 - 2A601; and 2 - 351467S .....	22.00
-------	--	-------

2018D	Kit - Brake Shoe Installation - 55, 56, 57 FRONT One kit per vehicle. Contains 4 - 2035; 2 - 2049; 2 - 2092; 2 - 2A094C .....	21.00
-------	---	-------

**Disc brakes now available  
See page 11 for details**





**BRAKE PARTS**

**MAJOR BRAKE OVERHAUL KIT**  
YOU SAVE \$20.00

Contains all the parts you need to replace both front & rear brakes. Kit contains shoes & installation hardware; wheel cylinders; flex hoses, clips & washers.

2019AK	For 55's .....	280.70
2019BK	For 56's .....	280.70
2019CK	For 57's .....	281.38

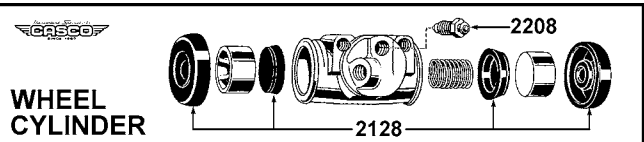
2028	Plate - Brake Shoe Anchor Pin.....	6.70
2031A	Power Brake Booster Bracket - 55.....	60.89
2031B	Power Brake Booster Bracket - 56/57.....	61.95
318	HWK Brake Booster Bracket to Apron - 12 pcs.....	2.35
318A	HWK Power Brake Booster to Bracket - 4 pcs.....	1.45
2035	Spring - Brake Shoe Retracting .....	2.79

**2041A**



2041A	Starwheel Adjuster - Complete.....	12.15
2042	Link - Brake Shoe to Cylinder .....	5.05
2049	Spring - Brake Adj. Screw 3 1/2" Long.....	2.10

2073	Bracket on Frame - Rear Brake Hose - 57.....	10.45
2074A	Brake Line Connector - Rear Lines - 55/56.....	59.95
2074B	Brake Line Connector - Rear Lines - 57.....	35.00
2074C	Bracket only for 2074A connector - 55/56.....	7.95
2075	Brake Line Connector - LH Front .....	15.65
2076A	Connector Block Master Cylinder Outlet .....	11.40
2076B	Connector Block Assembly Power Brake Booster Outlet - Includes 353400S .....	12.95
2078B	Hose - Powr Brake Boostr to Frame Connector.....	21.48
2078F	Brake Hose - Front - 14 1/2" Long - 2/car .....	17.16
2091	Nut - Park Brake Equalizer Lever.....	3.68
2092	Cover - Brake Adjusting Hole .....	75
2106	Retainer - Park Brake Lever.....	69



2128A	Repair Kit - Wheel Cylinder - Front - 1 1/8".....	9.05
2128B	Repair Kit - Wheel Cylinder - Rear - 55 - 7/8".....	9.40
2128C	Repair Kit - Wheel Cylnr Rear - 56/57 - 15/16 .....	9.00
2137	Drip/Heat shield Under Master Cylinder - Stnls .....	15.96
2137L	Drip/Heat shield for Dual Master Cylinder - SS.....	20.95
2140	Master Cylinder - Replacement - Inc Plas Cap.....	102.00
316	HWK Master cylinder inst kit - 8 pcs.....	3.27
2142	Plastic Tip - Master Cylinder Push Rod.....	7.09
2149	Gasket - Brake Line - 5/Car .....	85
2150	Bolt - Spl. for Brake Block at LH Front .....	5.20
2154	Gasket - Brake Line - 2/Car - 5/Car w/ P/Brk.....	1.76



2162A	Master Cylinder Filler Cap With FoMoCo - 55 & Early 56 - With 2167 Gasket.....	46.15
2162BB	Master Cylinder Filler Cap With "BB" Marking - 56 & 57 - With 2167 Gasket.....	41.95
2162X	Master Cylinder Cap - Metal Replacement .....	14.85
2167	Gasket for 2162.....	1.85
2208	Bleed Screw - Brake .....	3.10

**BRAKE CYLINDERS**

2061	Cylinder - Fr. Brake - RH.....	28.95
2062	Cylinder - Fr. Brake - LH .....	28.95
2261A	Cylinder - Rear Brake - RH - 55.....	19.85
2261B	Cylinder - Rear Brake - RH - 56/57.....	19.85
2262A	Cylinder - Rear Brake - LH - 55.....	19.85
2262B	Cylinder - Rear Brake - LH - 56/57.....	19.85

# BRAKES

## FORMED BRAKE LINES

**BRAKE LINES** All of the CASCO manufactured steel and stainless steel brake lines are made from high quality tubing with double flared ends and steel flare fittings. All are custom formed like the original and have steel sheathing, steel spring protectors, and/or fabric coverings like the originals wherever appropriate.

Caution must be used when installing brake lines to insure proper seating of the flared ends to assure that there is no leakage. Because CASCO has no control over the installation of these brake lines we can assume no responsibility for improperly installed or altered lines.

2269A	Brake Line - Master Cylinder to Frame W/O Power Brakes - 55/57 .....	27.95
2269ASS	Same As Above - Stainless Steel Line .....	34.95
2269B	Brake Line - Master Cylinder to Power Brake Booster - 55 .....	17.95
2269BSS	Same As Above - Stainless Steel Line .....	22.95
2269C	Brake Line - Master Cylinder to Power Brake Booster - 56 .....	19.95
2269CSS	Same As Above - Stainless Steel Line .....	25.95
2269D	Brake Line - Master Cylinder to Power Brake Booster - 57 .....	27.95
2269DSS	Same As Above - Stainless Steel Line .....	35.95
2269E	Brake Line - Across Front - Under Engine - 55/57 .....	27.95
2269ESS	Same As Above - Stainless Steel Line .....	41.95
2269F	Brake Line - 12" Piece on Frame - 55/57 .....	16.95
2269FSS	Same As Above - Stainless Steel Line .....	23.95
2269G	Brake Line - Front Half on Frame - 55/57 .....	33.95
2269GSS	Same As Above - Stainless Steel Line .....	43.95
2269H	Brake Line - Rear Half on Frame - 55 .....	35.95
2269HSS	Same As Above - Stainless Steel Line .....	56.95
2269I	Brake Line - Rear Half on Frame - 56 .....	35.95
2269ISS	Same As Above - Stainless Steel Line .....	57.95
2269J	Brake Line - Rear Half on Frame - 57 .....	31.45
2269JSS	Same As Above - Stainless Steel Line .....	48.95
2269K	Brake Line - Rear Axle - RH - 55/56 .....	35.95
2269KSS	Same As Above - Stainless Steel Line .....	45.95
2269L	Brake Line - Rear Axle - RH - 57 .....	35.95
2269LSS	Same As Above - Stainless Steel Line .....	45.95
2269M	Brake Line - Rear Axle - LH - 55/56 .....	27.95
2269MSS	Same As Above - Stainless Steel Line .....	34.95
2269N	Brake Line - Rear Axle - LH - 57 .....	23.95
2269NSS	Same As Above - Stainless Steel Line .....	26.95

### COMPLETE SET OF STEEL BRAKE LINES

These Kits Contains All of the Custom Formed Steel Brake Lines Needed For Your T-Bird.

**STEEL - YOU SAVE \$10.00**

BLK5P	Steel Brake Lines - 55 - With Powr Brakes .....	186.65
BLK5S	Steel Brake Lines - 55 - With Std. Brakes .....	196.65
BLK6P	Steel Brake Lines - 56 - With Powr Brakes .....	188.65
BLK6S	Steel Brake Lines - 56 - With Std. Brakes .....	196.65
BLK7P	Steel Brake Lines - 57 - With Powr Brakes .....	188.15
BLK7S	Steel Brake Lines - 57 - With Std. Brakes .....	188.15

**STAINLESS STEEL - YOU SAVE \$20.00**

BLK5PS	Stnls Steel Brk Lines - 55 - W/ Powr Brks .....	250.65
BLK5SS	Stnls Steel Brk Lines - 55 - W/ Std. Brks .....	262.65
BLK6PS	Stnls Steel Brk Lines - 56 - W/ Powr Brks .....	254.65
BLK6SS	Stnls Steel Brk Lines - 56 - W/ Std. Brks .....	263.65
BLK7PS	Stnls Steel Brk Lines - 57 - W/ Powr Brks .....	247.65
BLK7SS	Stnls Steel Brk Lines - 57 - W/ Std. Brks .....	246.65

## MECHANICAL BRAKELIGHT SWITCH

This switch, designed by CASCO engineers, will allow you to activate the brake lights with just a touch of the pedal. It mounts out of sight below the dash. Stock appearance is maintained. Kit comes with switch, special brackets & instructions.

13480MK	Switch & Mounting Brackets - Mechanical Brakelight - Like Modern Cars .....	32.95
---------	--	-------

**RH = PASSENGER SIDE  
LH = DRIVERS SIDE**

## SILICONE BRAKE FLUID

One of the significant technological advancements since our birds were built is the invention and subsequent refinement of silicone brake fluid. The advantages over conventional glycol fluids are:

Does not absorb moisture and therefore will not corrode wheel and master cylinders.

Has a very high vaporization point (over 700F) resulting in elimination of brake failure due to over heated fluid.

Silicone fluids meet dot 5 standards.

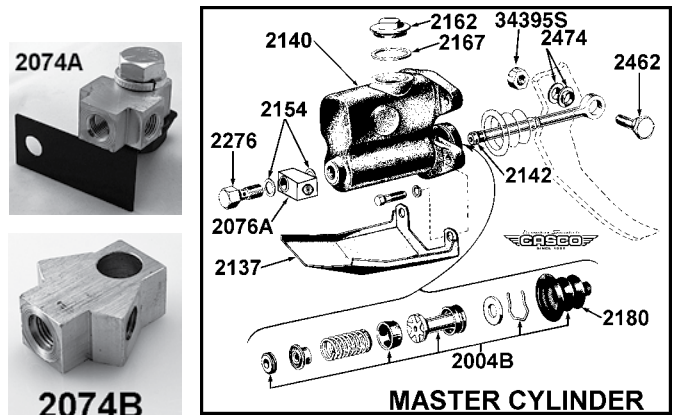
Also because it does not absorb moisture the low temperature viscosity does not appreciably increase as it does with glycol fluids.

Silicone fluids will not remove paint if accidentally spilled.

Silicone fluids act as a preservative to rubber and a wide variety of synthetic elastomers - hoses and seals will last significantly longer.

A quart of silicone brake fluid is enough to fill your brake system and have enough left over to top up the master cylinder for many, many years to come. We use this fluid and highly recommend it.

**SBFQT** Quart Size - 32 Oz ..... 24.65



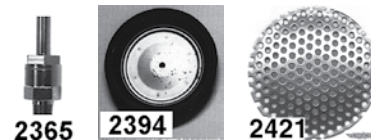
2180	Boot - Master Cylinder .....	4.40
2208	Bleed Screw - Brake Cylinder & Power Brake Booster .....	3.10
2218-56	New Brake Shoe & Lining kit - No Exchange	
2218-7	Rear Brake Shoes - 4 pcs - 55/56 .....	55.00
	Rear Brake Shoes - 4 pcs - 57 .....	52.58

2244A	Clip - Brake Lines to Frame & Axles - 3/Car .....	1.65
2248B	Bolt - Rear Brake Carrier Plate - 57 .....	7.50



2269	Spring - Rear Brake Lines - Stainless - Pair(Included With 2269K - N) .....	3.00
------	--	------

2276	Bolt - Brake - Master Cylinder & P/B Booster .....	12.00
2282	Rear Brake Hose .....	18.90
2282BS	Rear Brake Hose - Flex Braided Stainless .....	37.15
2282ADP	Rear Brake Hose Adapter .....	10.95
2365A	Check Valve - Power Brk. Booster - Replmt .....	26.20
2365X	Fitting - Replaces Check Valve .....	2.45
2377	Rod - P.B. Booster to Large Diaphragm .....	7.25
2386	Foam Filter - P/B Booster Contl Valve Inlet .....	2.19



2394	Diaphragm & Pressure Plate PBB Cylinder .....	67.98
2421	Breather Screen - Brake Booster - Plated .....	6.15
2452A	Brake Pedal - power (not swift sure) .....	55.00
2454A	Brake Pedal Pad - With F/M .....	22.95



- 7523 Spring - Park Brake Equalizer Lever ..... 3.40
- 7583 Bumper - Clutch & Brake Pedal Arm ..... 4.10
- 13480 Switch - Stoptlight ..... 11.15

2454BK Purchase both 2454B1 & 2454B2 At The Same Time And Save \$3.00. Pieces Not Assembled..... 43.95

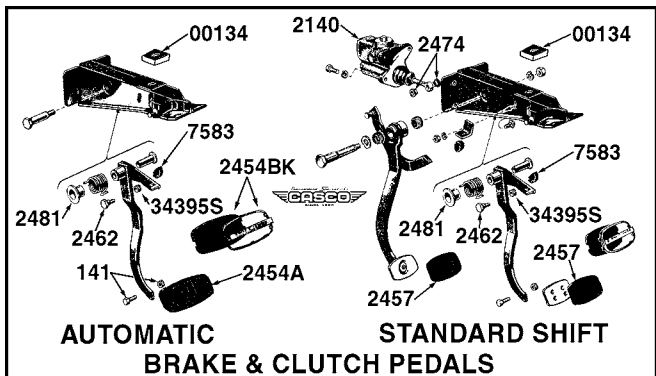
- 2454B1 Power Brake Pedal Pad With F/M - Swift Sure Stainless Band Not Attached..... 29.00
- 2454B2 Stainless Steel Band With Embossed Swift Sure Markings - To Be Used with 2454B1 Pedal Pad - Not Supplied Attached - Comes With Very Easy Attaching Instructions. FoMoCo licensed... 14.95
- 133A Pedal Assembly to Dash & Firewall - 7 pcs..... 5.50
- 141 Fordomatic Brake Pedal to Pedal Arm - 2 pcs ..... 1.95

**BRAKE LIGHTS NOT WORKING?  
SEE MECHANICAL BRAKE LIGHT - 13480MK - PG 10**

- 14A240B Braided Insulator - Goes Over 3/16" Brake Lines Price per foot (included on 2269 lines)..... .90

**ADDITIONAL HARDWARE KITS FOR THIS AREA**

- 408 Front Hub to Spindle - 6 pcs..... 19.95
- 409 Rear Brake Pipe Connector to Axle Housing - 55/56 - 4 pcs..... 2.13
- 411B Backing Plate to Rear Axle Housing - 57 16 pcs..... 78.00
- 412 Wheel Cylinders to Backing Plates - 16 pcs..... 5.25

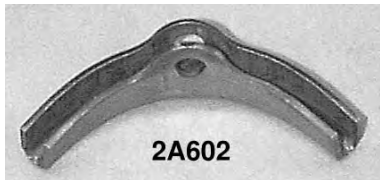


**FRONT DISC BRAKES**

We use this kit in our own restoration shop and were very pleased with the increase in stopping power. The kit includes new dual - bowl master cylinder, dual caliper pistons, rotors, replacement rear cylinders, necessary lines, attaching hardware, and directions. **Specify POWER or MANUAL and YEAR when ordering. These kits are drop shipped to you at actual cost. Call for shipping quote.**

- DISC Manual or power disc brake conversion kit..... 1295.00
- 2001 Replacement pads for DISC Brake kit ..... 34.95

- 2457 Pad - Pedal Plate - Slip On - Brake and Clutch ..... 5.45
- 2457A Pad for clutch or brake pedal - 55/56 ..... 9.00
- 2462 Bolt - Master Cylinder Link Rod ..... 20.00
- 2474 Bushings - Master Cyl. Push Rod - Pair..... 12.00
- 2481 Insulator - Brk Pedal Bushing to Spring ..... 20.51
- 2A601 Spring - Park Brake Link ..... 2.10



- 2A602 Holder for Emergency brake cable..... 29.95
- 2A605 Lever - Parking Brake Equalizer ..... 15.70
- 2628 Rod - Park Brake Equalizer..... 23.59

- 2A635 Emergency Brake Cable - Equalizer to Rear Drums - Replacement ..... 39.36
- 2A637 Emergency brake lever - RH..... 34.95
- 2A638 Emergency brake lever - LH..... 34.95
- 141A Emergency Brake Assy to Firewall - 4 pcs..... 1.03
- 141B Emergency Brake Cable to Firewall - 2 pcs ..... 1.17



- 2A642 Link - Park brake lever to shoe ..... 19.95
- 2780H Handle - Park Brake - Chrome W/ Retainer Pin.... 49.95
- 2780P Retainer Pin - Park Brake Handle ..... 1.05
- 2786 Pawl - Parking Brake Ratchet Hardened Steel ..... 8.35
- 2788 Spring - Park Brake Ratchet Pawl..... 3.10
- 2804 Pulley - Park Brake Cable ..... 24.90
- 2814A Clip - Parking Brake Cable to Frame - 3/Car ..... 1.50
- 2814B Clip - Brake Hose to Frame - 3/Car..... 1.16
- 2853X Cable & Conduit - Park Brake Handle to Equalizer Lever - Replacement..... 33.77
- 2857 Clamp - Emergency Brake Cable to Firewall ..... 3.49
- 2858 Retainer - Emergency Brake Cable to Firewall ..... 3.65
- 2859 Pin - Park Brake Lever..... 2.60
- 4022B Bolt - Rear Brake Breather - 57..... 21.80



**COMBINATION VALVE**

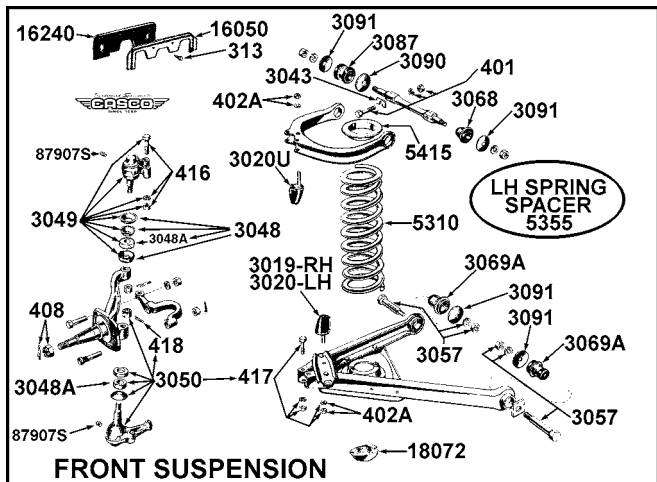
Install this valve kit along with disc brakes above and split your brake system into independent front and rear. If you bust a brake line or hose, you'll only lose either front or rear brakes NOT both. Ready to bolt on. No drilling required. Includes valve, mounting plate, mounting hardware, 4 piece lines, and illustrated instructions.

**Designed for full compatibility with CASCO disc brakes. Not for sale for other systems. Drop shipped at actual cost.**

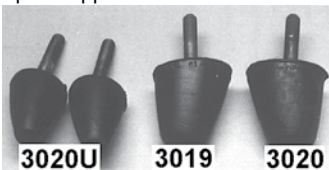
- 2B257K6VMB Combination Valve Kit 6v manual..... 198.00
- 2B257K6VPB Combination Valve Kit 6v power..... 198.00
- 2B257K12VMB Combination Valve Kit 12v manual..... 198.00
- 2B257K12VPB Combination Valve Kit 12v power..... 198.00
- NEW 2B257HS Heat Shield for Combination Valve ..... 20.50



# FRONT SUSPENSION



- 3019 Bumper - Lower Arm RH..... 8.35
- 3020 Bumper - Lower Arm LH..... 8.35
- 3020U Bumper - Upper Arm ..... 6.25

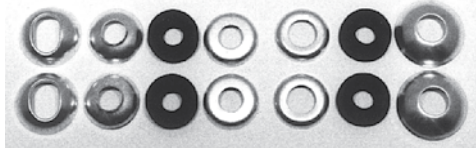


### A FRAME BUMPER KIT

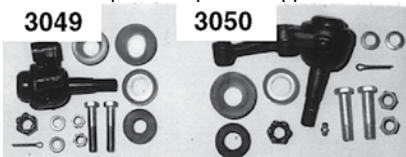
YOU SAVE \$.50

- 3020AK Kit - Front Arm Bumpers & Attaching Parts - Includes All 4 Above ..... 28.70

- 3043A Alignment Shim 1/4 Thick..... 48
- 3043B Alignment Shim 1/32 Thick..... 47
- 3043C Alignment Shim 1/16 Thick..... 58
- 3043D Alignment Shim 1/8 Thick..... 78



- 3048 Seal Kit - Ball Joint - Washers & Seals - 14 Pcs. 1/Car ..... 26.50
- 3048A Seals Only (No Washers) Ball Joints - 4 Pcs ..... 4.15
- 3049 Kit - Frt Susp upper spindle support *BEST QUALITY* ..... 55.00
- 3050 Kit Frt Susp lower spindle support *BEST QUALITY*..... 55.00



### BEST QUALITY BALL JOINT KIT

YOU SAVE \$10.00

- 3050AK Kit - Upper & Lower Ball Joint - Contains: 2 - 3049; 2 - 3050 & All Attaching Parts (1 Pair Shown).... 210.00



### FRONT END KIT

Replacement complete front end rebuild kit.

- FEKIT Kit - Includes 3019, 3020, 2 - 3020U, 2 - 3049, 2 - 3050, 2 - 3068, 4 - 3069A, 2 - 3087, 5A486A, & 2 - 3289..... 299.75

- 3057 Bolt - Lower A Frame - With Nut & Lock Washer - Plated..... 31.75



### A FRAME BUSHINGS KIT

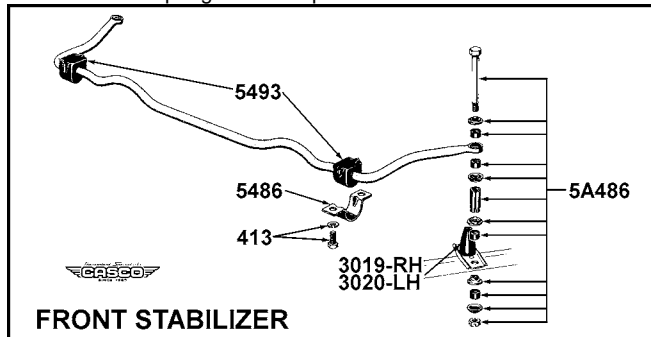
YOU SAVE \$1.50

- 3068AK Kit - Upper & Lower Arm Bushings - Contains: 2 - 3087; 2 - 3068; 4 - 3069A ..... 52.48

- 3068 Bushing - Front Suspension Upper Arm Inner Shaft - Front..... 6.99
- 3069A Bushing - Front Suspension Lower Arm..... 6.75
- 3087 Bushing - Front Suspension Upper Arm Inner Shaft - Rear..... 6.50
- 3090 Washer - Formed - Upper A - Arm Inner Rear 2 used per car ..... 1.20
- 3091 Washer - Formed - Upper & Lower A - Arm Bushings 8 used per car ..... 1.20



- 5310 Spring - Front ..... 52.00
- 5355 Spacer - Front Spring - Use on LH Side ..... 9.75
- 5415 Insulator - Rubber - For Top of Front Springs - 2 used per car..... 4.50



### FRONT STABILIZER

- 5482HDF Sway Bar Kit - Front - Heavy Duty ..... 272.00
- 5482HDR Sway Bar Kit - Rear - Heavy Duty ..... 257.00

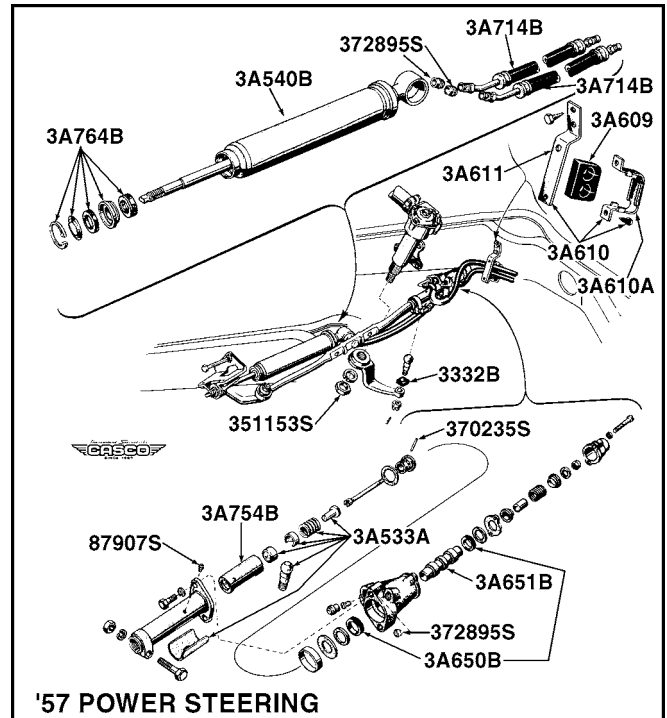
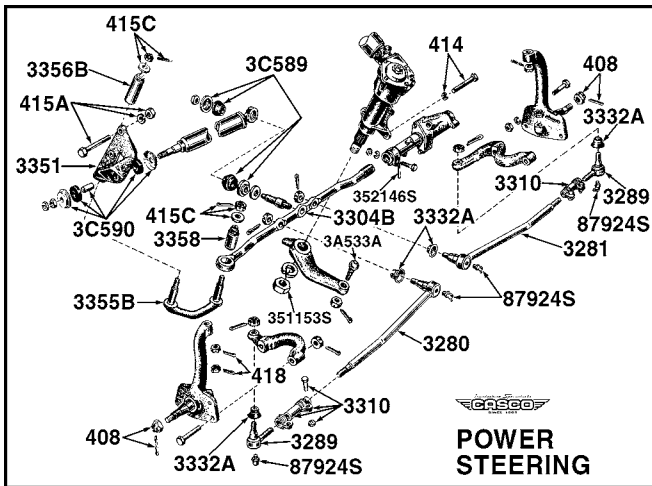
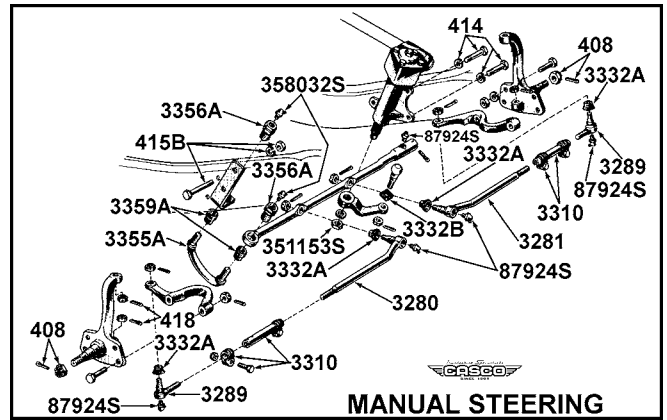
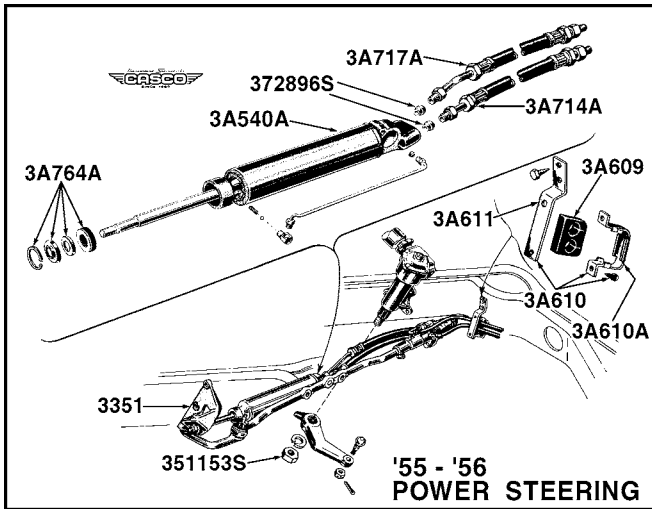
**Also See Improved Handling Kit - Page 15**

- 5486 Retainer Bracket - Stabilizer Insulator..... 8.35
- 5A486 Kit - Stabilizer End Repair, each ..... 16.65
- 5A486A Kit - Stabilizer End - Replacement - Pair..... 16.90
- 5493 Insulators - Stabilizer Bar - Rubber - Pair ..... 10.45
- 16050 Metal Retainer for Apron Seal(16240)..... 20.49
- 313 Apron Shields (16050) to Apron - 8 pcs ..... 2.85
- 16240 Seal - Front Fender Apron Shield - Each ..... 4.82
- 18072 Bracket - Lower Front Shock Mount..... 15.30

### HARDWARE KITS FOR THIS AREA

- 401 Upper A Frame Arms to Frame - 12 pcs..... 5.65
- 402A A - Frame Arm Bumpers to A - Frames - 8 pcs..... 1.65
- 402K Lower A Frame Arms to Frame - 12 pcs..... 127.00
- 403 Front Shock Lower Mounting Plate to Lower A Frame - 8 pcs..... 2.75
- 413 Stabilizer Arm Brackets (5486) to Frame - 12 pcs..... 3.45
- 416 Upper Ball Joints to Upper A Arms - 16 pcs ..... 4.07
- 417 Lower Ball Joints to Lower A Arms - 12 pcs ..... 7.27
- 418 Ball Joint Cotter Pins - 4 pcs ..... 1.10

# STEERING PARTS



- 3A006 Cap - P/S Oil Reservoir Filler.....27.70
- 3A006A Gasket Only - P/S Reservoir Cap .....2.30
- 3280 Spindle Connecting Rod - RH - Inner - 56/57 .....69.89
- 3281 Spindle Connecting Rod - LH - Inner - 56/57 .....69.89
- 3289 Tie Rod End Assembly - Outer.....14.95
- 3304B Drag Link - Use With Power Steering .....276.75
- 3310 Sleeve - Drag Link Adjusting .....15.95

- 3332A Seals Steering Tie Rod Ends Like Original - 4 pcs..9.35
- 3332B Seal - Drag Link To Selector Arm Ball Stud.....1.63
- 3351 Bracket - Idler Arm With P/S Replacement .....138.91
- 3355A Idler Arm - Manual Steering .....57.23
- 3355B Idler Arm - Power Steering .....64.21
- 415D HWK - P/S Idler Arm Brkt crush nut & bolt.....4.60



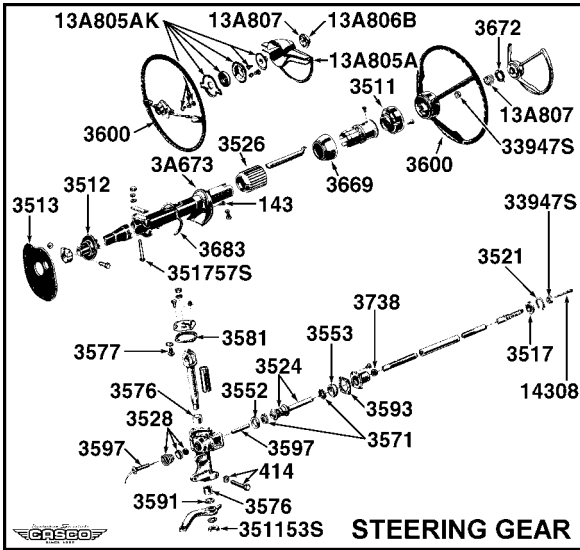
- 3356A Idler Arm Bushing - W Manual Steering - 2/car.....19.00
- 3356B Idler Arm Bushing - W P/S Upper.....13.25
- 3358 Idler Arm Bushing - W P/S Lower.....10.22
- 3359A Dust Covers - Idler Arm Bushing -  
Manual Steering - Pair .....8.00
- 3511A Hub - Steering column - 55 .....63.55
- 3511B Hub - Steering column - 56/57 .....70.12
- 3C511 Bracket - Power Steering Pump.....56.25
- 3512 Grommet - Steering Column to Dash.....8.08

- 3513A Seal - Steering Column Weather W F/M.....4.35

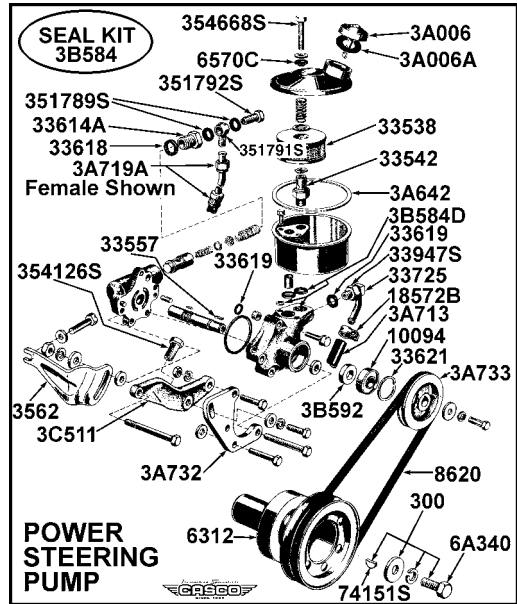


- 3513B Seal - Steering Column Weather W S/T.....4.35
- 3517 Bearing - Upper Steering Shaft.....25.90
- 3521 Snap Ring Retainer - Steering Col Brng .....1.20
- 3524A Worm Gear Only - Press Onto Your Shaft.....99.75
- 3524B Worm Gear Installed On Short Shaft.....232.75
- 3524S Steering Shaft Only - Short .....94.95
- 3526A Adjusting sleeve - steering column - 55 .....64.90
- 3526B Adjusting sleeve - steering column - 56/7 .....65.20
- 3528 Kit - Steering Column Seal.....28.00
- 3A533A Kit - Drag Link Ball Stud Repair - W P/S - 57 .....65.90
- 3A540A Power Steering Cylinder - 55/56 .....410.00
- 3A540B Power Steering Cylinder - 57  
(includes 3C589 & 3C590B).....292.25
- 3552 Cup - Steering Worm Bearing - Lower .....14.00
- 3553 Cup - Steering Worm Bearing - Upper .....33.85
- 3562 Bracket - P/S Pump to Exhaust Manifold .....59.25
- 3571 Bearing - Steering Worm Roller .....16.25
- 3576A Bearing - Sector Shaft - 2 Teeth.....14.52
- 3576B Bearing - Sector Shaft - 3 Teeth.....20.99
- 3581 Gasket - Steering Housing Cover .....2.71

# STEERING

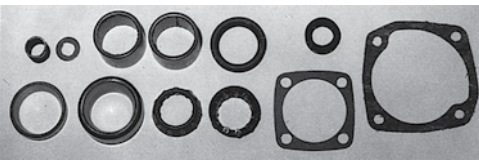


**STEERING GEAR**



**POWER STEERING PUMP**

**TECH TIP:**  
Our shop uses Dexron III for T-Bird automatic transmission & for power steering



**Original:**  
55 - 2 tooth  
57 - 3 tooth  
56 - 2 or 3 tooth

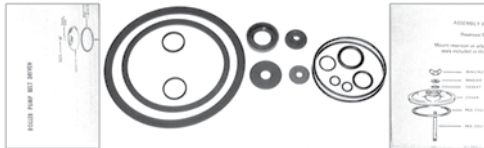
**STEERING BOX BEARING & SEAL KIT**

**YOU SAVE \$2.00**

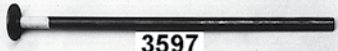
Kit - Steering Box Bearing & Seal -  
Contains: 1 - 3528; 1 - 3552; 1 - 3553; 2 - 3571;  
2 - 3576; 1 - 3581; 1 - 3591; 6 - 3593; 1 - 3738.  
Specify 2 or 3 tooth.

3548A-2K Kit For Use With 2 Tooth Sector.....161.60  
3548A-3K Kit For Use With 3 Tooth Sector.....182.18

3A642	Gasket - Power Steering Reservoir Cover.....	2.65
3A650A	Repair Kit - P/S Control Valve - 55/56.....	34.95
3A650B	Seals Only - P/S Control Valve - 57.....	8.70
3A651A	Piston - Power Steering Control Valve - 55/56 - .001" Oversize.....	110.22
3A651B	Piston - Power Steering Control Valve - 57 - .001" Oversize.....	115.00
3669A	Collar - Steering Column - 55.....	48.82
3669B	Collar - Steering Column - 56/57.....	49.15
3672	Insulator - Horn Ring - 56/57 - Rubber.....	1.50
3A673	Horseshoe Collar - Steering column.....	49.75
3683A	Insulator - Steering Column to Dash Moulded - Black.....	4.25
3683B	Insulator - Steering Column to Dash Moulded - White.....	6.00



3B584A	Kit - P/S Pump Seal & Gasket - (Male Fitting on 3A719).....	23.95
3B584B	Kit - P/S Pump Seal & Gasket(Female Fitting on 3A719).....	26.40
3B584D	Seal Kit - P/S Reservoir to Pump - 4 Pcs. Included in 3B584A and 3B584B.....	1.50
3C589	Kit - P/S Cylinder End Mtg. Bushing.....	5.24
3C590A	Kit - P/S Piston Rod End Bushing - 55/56.....	17.80
3C590B	Kit - P/S Piston Rod End Bushing - 57.....	14.75
3591A	Oil Seal - Sector Shaft Housing - 2 Tooth Sector.....	5.25
3591B	Oil Seal - Sector Shaft Housing - 3 Tooth Sector.....	12.89
3B592	Seal - P/S Pump Shaft.....	9.28
3593A	Gasket - Steering Housing Cap - .002" thick.....	2.00
3593B	Gasket - Steering Housing Cap - .010".....	2.00

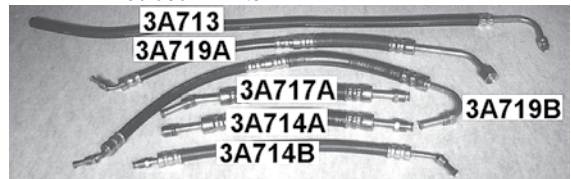


3597 Plate & Tube - Steering Housing End.....9.65

3600RE **STEERING WHEEL RESTORATION.** Includes Crack Filling and Repainting. Sorry no exchanges. Call 740 - 622-9700 for information & pricing.

3600SM Replacement SMALL STEERING WHEEL for 56 & 57. A great comfort modification, this 15" black wheel gives driver more room behind the wheel. ....425.00

3A609	Insulator - P/S Hose.....	5.90
3A610	Holder & Bracket - Power Steering Hoses.....	20.95
3A610A	Holder Only - P/S Hose Grommet.....	13.60
3A611	Arm Only - 3A610A to Frame.....	8.34



**POWER STEERING HOSES KIT**

**YOU SAVE \$2.00**

A Set of all four hoses.

Male/Female refers to pump end of hose.

PSHK556F	For 55/56 W/Female End on Press. Line.....	109.26
PSHK57F	For 57 W/Female End on Pressure Line.....	108.49
PSHK556M	For 55/56 W/Male End on Pressure Line.....	113.61
PSHK57M	For 57 W/Male End on Pressure Line.....	112.84

3A713	Hose - P/S Return Line.....	26.04
3A714A	Hose - P/S Control Valve to Cylinder Head End - 55/56.....	24.42
3A714B	Hose - P/S Control Valve to Cylinder Head End - Correct Length - 57.....	23.90
3A714B-ADP	Adapter to fit 57 style ram & hoses to 55/56 control valve.....	10.95
3A717A	Hose - P/S Control Valve to Cylinder Head End - 55/56.....	24.15
3A719A	Hose - P/S Pressure Line - Pump to Control Valve Female Fitting at Top (Pump) End.....	41.00
3A719B	Hose - P/S Pressure Line - Pump to Control Valve Male Fitting at Top (Pump) End.....	36.65
3A732	Support Plate - P/S Pump.....	19.95
3A733	Pulley - P/S Pump.....	60.94
3738	Seal - Steering Shaft.....	6.25
3A754B	Socket - P/S Control Valve - 57.....	23.65
3A764AA	Kit - P/S Cylinder Seal - Early 55 - Shaft Dia. Approx .6" - Seal Dia. Approx 1.25".....	26.35
3A764A	Kit - P/S Cylinder Seal - 55/56 - Shaft Dia. Approx .6" - Seal Dia. Approx 1".....	21.60

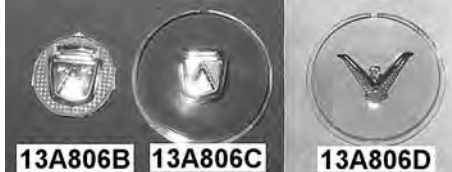


3A764B	Kit - P/S Cylinder Seal - 57 - Shaft Dia. Approx. .5" - Seal Dia. Approx. .9.....	17.60
6570C	Grommet - For P/S Reservoir Cover.....	1.50
10094	Bearing - P/S Pump - Front - Also Gen End.....	10.20
33538	Element - P/S Oil Filter.....	13.80
33542A	Bolt P/S Oil Reservoir Orifice EARLY.....	23.93
33542B	Bolt P/S Oil Reservoir Orifice LATE.....	23.93
33557	Key - P/S Pump Pulley.....	1.90
33614A	Fitting - P/S Pressure hose to Pump.....	18.95
33618	Seal - P/S Pump Valve Outlet Fitting.....	.79
33619	Seal - P/S Pump Flow Director.....	.79
33621	Snap Ring - P/S Pump Bearing Retainer.....	1.65

13A800B	Attaching Plate - Horn Ring 56/57.....	18.39
13A801B	Contact Plate - Horn Ring 55.....	18.75
13A803A	Horn Ring Ribbed Trim Plate w gasket - 55.....	39.00
13A804A	Screw & grommet kit for 55 horn ring, 22 pcs.....	16.20
13A804B	Screw & grommet kit for 56/7 horn ring, 6 pcs.....	10.96
13A805A	Horn Ring - 55 - Main Chrome Casting Only With Ring and 2 End Tabs to Retain 13A806A. Requires the Transfer of Parts From Your Horn Ring or Parts Kit Below.....	626.69
13A805AMK	55 Horn Ring Parts Kit - All Parts to Go With 13A805A Above to Make a Complete Horn Ring - Manual Steering.....	207.96
13A805APK	55 Horn Ring Parts Kit - As Above But For Cars With Power Steering.....	207.96



13A805B	End Tab - Used to Retain 13A806A.....	27.00
13A806A	Horn Ring Plastic - 55 - Clear - Unbreakable.....	20.95



13A806B	Horn Ring Plastic - 55 - Red Center.....	29.75
13A806C	Horn Ring Plastic - 56 - Center Medallion.....	50.98
13A806D	Horn Ring Plastic - 57 - Center Medallion.....	29.55
13A806E	Rubber Insulator - Horn Ring 56/57.....	7.38
13A806F	Rubber Insulator - Horn Ring 55.....	9.14
13A807	Spring - Horn Button 56/57.....	3.09



13A807A	Chrome Plated Center Ring - Plain Manual Steering - 55.....	22.95
13A807B	Chrome Plated Center Ring - "Ford Master Guide Power Steering" - 55.....	25.15



13A810B	Background Plate - Silver - 56 Horn Ring.....	18.88
13A810C	Background Plate - Black - 57 Horn Ring.....	18.60

### COMPLETE POWER STEERING KITS

Add power steering to your T-bird! Kit includes rebuilt power steering pump, control valve, idler arm, ram cylinder, center link, hoses, brackets, and mounting hardware. Available as non-original with a late style replacement pump or original style with a rebuilt original pump and control valve. Shipped at actual shipping charges. Call for shipping quote.

3500KX	Complete power steering kit, non-original.....	2595.00
3500KR	Complete power steering kit, original.....	3385.00

### HARDWARE KITS for this area - Complete List - Page 44

143	Steering Column Trim to Retainer - 4 pcs.....	1.70
143A	Steering Column Seal to Firewall - 9 pcs.....	2.30
143B	Turn Signal Switch To Column - 2 pcs.....	.99
403	Front Shock Lower Mounting Plate to Lower A Frame - 8 Pcs.....	2.75
414	Steering Box to Frame.....	4.25
415A	Idler Arm Bracket to Frame - P/S - 8 pcs.....	4.95
415B	Idler Arm Bracket to Frame - M/S - 6 pcs.....	4.95
415C	Bushings to Idler Arm - Power Steering - 6 pcs.....	3.45

## SHOCK ABSORBERS



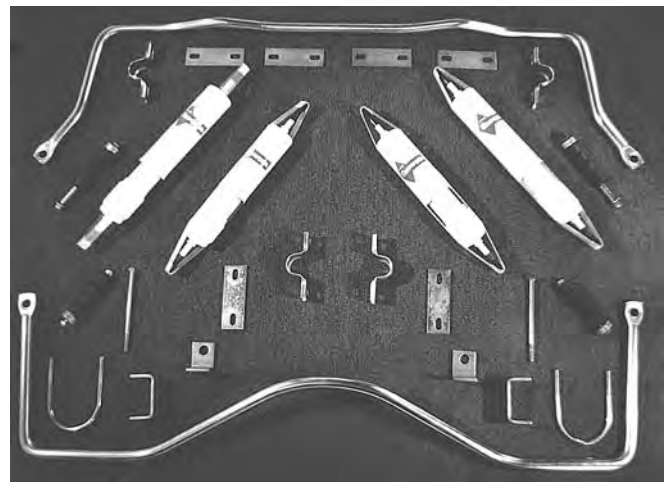
18072	Bracket - Lower Front Shock Mount.....	15.30
18124	Shock Absorber - Front - With Attaching Parts - Heavy Duty.....	49.50
18125	Shock Absorber - Rear - w/ Attaching Parts Heavy Duty - Does Not Include 18125A Spgs.....	35.00

### SHOCK ABSORBER KIT

18124-5K	Shock Kit - 2 ea 18124 & 18125.....	159.00
----------	-------------------------------------	--------

18124-5GAS	Gas Shocks - HEAVY DUTY - Set of 4.....	298.00
18125A	Springs Only For Rear Shocks - Pair.....	4.15
If your Bird sits too low in the rear when your trunk is loaded, you can "pump it up" with AIR SHOCKS:		
18125AIR	Air Shocks w/ air line for Rear - Pair.....	169.95
And for a car too low on one side, bring it level with extra air control:		
18125L	Extra line for air shock control.....	29.30

## IMPROVED HANDLING KIT



### IMPROVED HANDLING KIT

YOU SAVE \$25.00

If you drive your T-Bird regularly and want it handle more like a modern sports car we suggest quality sway bars both front and rear along with heavy duty gas shocks.

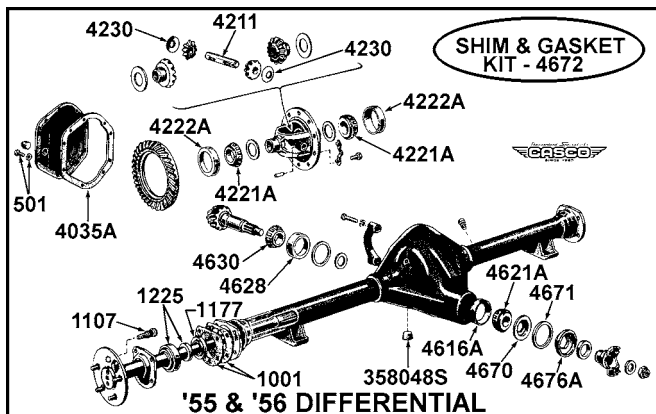
NOTE: For 1957 please also order extension bracket, 5482EB, below

Kit includes front & rear sway bars, four heavy duty gas filled shocks, all attaching parts, & instructions. Complete Kit Order IHK.....802.00

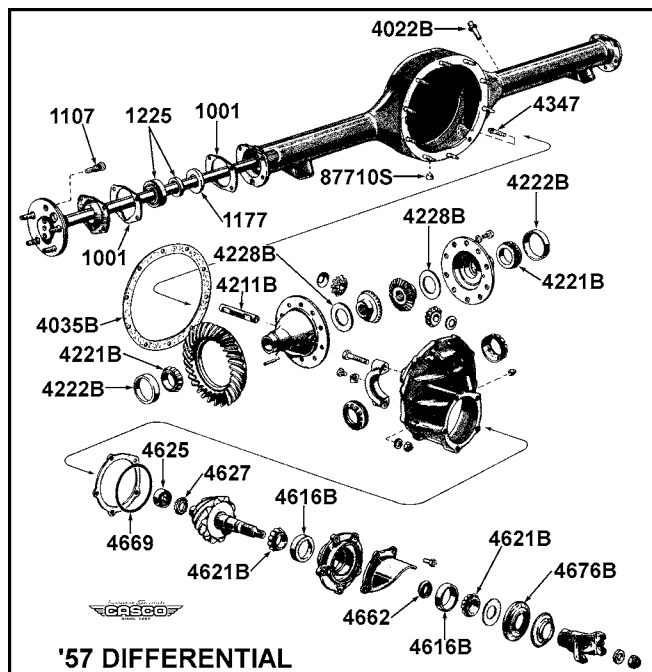
### INDIVIDUAL COMPONENTS:

5482HDF	Sway Bar Kit - Front - 7/8" diameter.....	272.00
5482HDR	Sway Bar Kit - Rear - 7/8" diameter.....	257.00
18124-5GAS	Gas Shocks - HEAVY DUTY - Set of 4.....	298.00
5482EB	T-Block Extension for Rear Brake Line.....	5.00

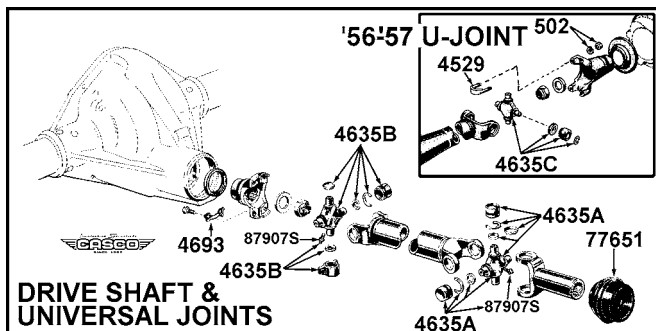
# REAR AXLES & DRIVESHAFT



1001	Gasket - Rear Wheel Bearing Retainer.....	1.70
1107	Bolt - Front Hub & Rear Axle.....	3.15
1177	Inner Seal - Rear Wheel.....	4.82
1225	Bearing - Rear Wheel.....	31.49
4022B	Bolt - Rear Brake Breather - 57.....	21.80
4035A	Gasket - Rear Axle Carrier - 55/56.....	6.52
4035B	Gasket - Rear Axle Carrier - 57.....	5.62
4211	Shaft - Differential Pinion - 55/56.....	20.70
4211B	Shaft - Differential Pinion - 57.....	28.90
4221A	Cone & Roller - Differential Brg. - 55/56.....	45.80
4221B	Cone & Roller - Differential Bearing - 57.....	23.74
4222A	Cup - Differential Bearing - 55/56.....	22.40
4222B	Cup - Differential Bearing - 57.....	15.78
4228B	Washer - Differential Side Gear Thrust - 57.....	2.94
4347	Bolt - Differential Carrier to Axle Housing - 57.....	7.10
4529	U - Bolt - Universal Joint - 56/57.....	17.10
502	HWK - Universal Joint U Bolt - Nuts & Lock Washers 8 pcs - Need 1 kit per Universal Joint.....	1.60



4662	Spacer - Driv. Pin. Brg. - 57.....	8.80
4669	"O" Ring - Driv. Pin. Brg. Retainer - 57.....	2.80
4670	Slinger - Driv. Pin. Shaft - 55/56.....	6.49
4671	Gasket - Driv. Pin. Oil Seal - 55/56.....	1.74



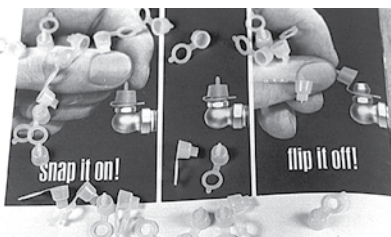
## DRIVE SHAFT & UNIVERSAL JOINTS

DRIVE SHAFT DECALS AVAILABLE ... see Page 35

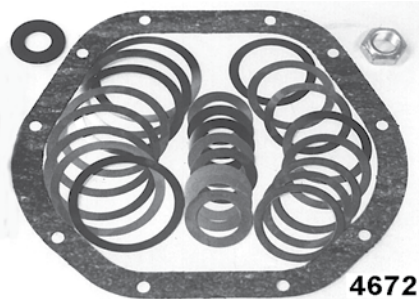
4616A	Cup - Driving Pinion Bearing - 55/56.....	11.29
4616B	Cup - Driving Pinion Bearing - 57.....	11.25
4621A	Cone & Roller - Driv. Pin. Brg. - 55/56.....	23.78
4621B	Cone & Roller - Driv. Pin. Brg. - 57.....	22.85
4625	Bearing - Pinion Pilot - 57.....	49.66
4627	Retainer - Pilot Bearing - 57.....	27.65
4628	Cup - Driv. Pin. Brg. - Rear - 55/56.....	12.07
4630	Cone & Roller - Driv. Pin. Brg. - Rear - 55/56.....	37.08
4635A	Universal Joint - 55 Front.....	16.40
4635B	Universal Joint - 55 Rear.....	46.21
4635C	Universal Joint - 56/57 Front or Rear.....	15.29

## GREASE FITTING COVERS

Not a stock item, but a very good way to keep the fittings clean so that dirt is not forced into the bushings. Bright yellow - Pack of 15 pcs.



GFC.....	2.50
----------	------



4672	Kit - Differential Shims - Includes 4067; 4109; 4672 shims & 4035 Gasket - 55/56.....	58.50
4676A	Seal - Driving Pinion Oil - 55/56.....	15.90
4676B	Seal - Driving Pinion Oil - 57.....	42.03
4693	Plate - Drive shaft flange lock - rear 55 - pair.....	5.95
4851AS	Sleeve - Pinion Groove Yoke Repair - 55/56.....	59.65
4851BS	Sleeve - Pinion Groove Yoke Repair - 57.....	64.15
77651	Boot - Rubber - Transmission Output.....	18.39

## HARDWARE KITS for this area - Complete List - Page 44

409	Rear Brake Pipe Connector to Axle Housing - 55/56 - 4 pcs.....	2.13
501	Rear Axle Housing Cover - 55/56 - 20 pcs.....	8.80

## ★ T-BIRD FACTS

□ Originally the doors and ignition keys were operated by the same key and the trunk and glove box used the same key.

□ The glass in a T-Bird, including the hardtop, was either all clear or all tinted.

□ T-Bird flat glass was made by Ford and bore the FoMoCo logo. The curved glass (windshield and hardtop backlite) were supplied by PPG and had the PPG logo.

# CAR CARE PRODUCTS



**THUNDERBIRD CAR COVER** - Tailored to fit. Water and mildew resistant. All materials are breathable and not waterproof. With elastic in front and back. Mid car tie loops with cord. STATE YEAR

CC2 - Super soft all cotton warp sateen with underside napped for a flannel finish. By far our most popular car cover. Tan. 56 only  
 CC256 .....360.00

CC4 - Lightweight, breathable polycotton material car cover  
 CC455; CC456 ..... 230.00  
 CC457 .....250.00

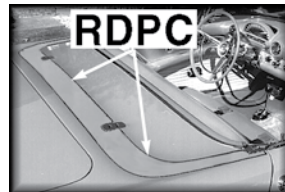
STOWAGE BAG for car covers. Duffel bag type with brass grommet and nylon draw cord. SB1 .....12.79

CAR COVER LOCK and cable kit. CCLOCK..... 11.49



**THUNDERBIRD COCKPIT COVER** - Cockpit cover designed for classic Thunderbirds. This cover will protect the interior of your T-Bird from the effects of dust, dew, sun fading, and inquisitive hands. Installation is quick & easy. No modification or alteration to your car is needed. Material is the same soft 4 layer EVOLUTION® 4 fabric by Kimberly - Clark used for our CC3 car covers. Water and mildew resistant. All materials are breathable and not waterproof.

CPC Cockpit Cover - Tan EVOLUTION® 4 Fabric .....94.95



**DECK LID PROTECTOR** - A heavy (.020" thick) die - cut vinyl film made to protect the surface area on the rear deck surface where the top weatherstrip makes contact. Protects against unsightly weatherstrip impressions and discoloration. Available in clear only.  
 RDPC ..... 23.95



## BATTERY MAINTENANCE CHARGER

This unit is outstanding! It automatically diagnoses, recovers, charges and maintains your batteries. Multipurpose battery charger great for use on classic car, tractor, mower, motorcycle, boat or RV. Compatible with 12 & 6 volt systems. Five step fully automatic mode-switching charge cycle. Safely charges wet, gel, MF and AGM batteries. Automatically adjusts to the current charging needs. Automatically shuts off if charger remains in "bulk" charge mode for an extended time period. Plug and play connectors rated for damp locations. Includes clamps to hook directly to battery or eyelet connections can be used for a more permanent installation. Automatically senses if not hooked up correctly. Comes with quick disconnects. Rapid charger charges twice as fast as a traditional charger.

BAT-UP-12 Battery maintenance charger .....45.00

## "GENIUS BOOST" BATTERY JUMP STARTER

This unit is outstanding! It automatically diagnoses, recovers, charges and maintains your batteries. The GB30 is a portable, mini, pocket sized lithium-ion jump starter for 12-volt lead-acid batteries. It can safely jump start a dead battery in seconds, like on your Classic T-bird and other vehicles. The GB30 is powered by a High-Density NOCO Element lithium-ion battery that can hold its charge up to one year, and handle over 1,000 cycles. The GB30 is also an ultra-bright dual LED flashlight with 7 modes, including SOS and emergency strobe. Use the GB30 to recharge virtually any USB device, including smartphones and tablets. Cables included! Features Spark-Proof Technology and reverse polarity protection to safely jump start a vehicle. Combine the GB30 with the Genius battery maintenance charger for complete battery care!

BAT-BOOST Battery jump starter ..... 139.50

**HARD TOP HOIST** - We're admittedly biased but we feel that there is not a better top hoist available. Extra wide webbing minimizes pressure on weatherstripping. This complete kit includes installation and use instructions.  
 HTHOIST ..... 75.00



**THUNDERBIRD FENDER COVER** Protect your paint with this top quality fender cover with the Thunderbird logo. This fender cover is made from thick acid and grease resistant vinyl with a slip resistant backing that easily wipes clean. Ask about special pricing when ordering more than \$500.00  
 FC ..... 20.95



**CASCO FENDER COVER** Exactly as above except CASCO logo. Available for only \$12.00 when ordering parts totalling \$500.00 or more. Receive one **FREE** when placing a single order totalling over \$1500.00  
 CFC .....14.95

**ZDDP OIL ADDITIVE** Easily replace ZDDP not found in currently available oils. Add one concentrated 4oz to oil with every oil change. Recommended by engine rebuilders for all flat tappet engines.  
 Z4 ..... 10.35



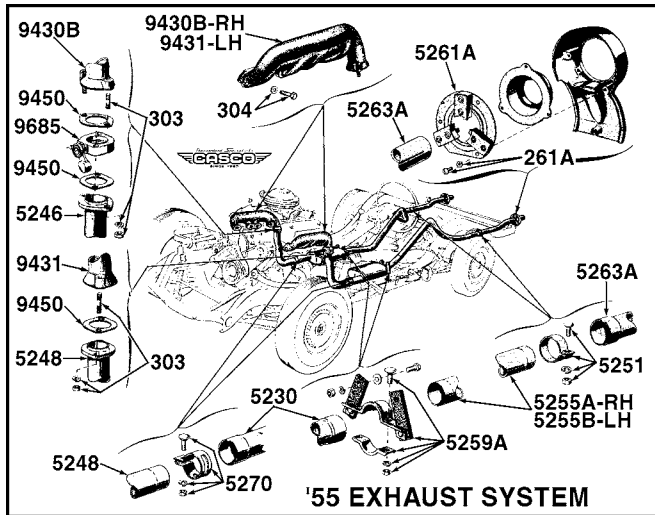
**FUEL STABILIZER** is recommend to keep your fuel system clean and varnish free during storage or everyday use. Multifunctional additive lasts for 2 years & exceeds military specs. Recommended for all 2 & 4 cycle engines. 32 oz size - Treats 80 gallons  
 GASSTAB-32 Fuel Stabilizer ..... 18.50



For technical "how to" videos see CASCO Restorations produced videos on page 7



# EXHAUST SYSTEM



**ALL EXHAUST PIPES ARE NOT ALIKE - At CASCO we manufacture our own exhaust pipes with the heaviest aluminized steel tubing available. Aluminized material offers a cost-conscious alternative to stainless steel pipes. Our hefty 16 gauge tubing assures you of years of safe, trouble free operation.**

5246A	Pipe - Muffler Inlet - RH.....	44.95
5248A	Pipe - Muffler Inlet - LH.....	44.95
5255AA	Pipe - Muffler Outlet - 55 - RH.....	39.95
5255BA	Pipe - Muffler Outlet - 55 - LH.....	39.95
5255CA	Pipe Muffler Outlet - 56 - W/292 - RH.....	37.95
5255DA	Pipe Muffler Outlet - 56 - W/292 - LH.....	36.95
5255EA	Pipe Muffler Outlet - 56 - W/312 - RH*.....	115.95
5255FA	Pipe Muffler Outlet - 56 - W/312 - LH*.....	115.95

NOTE: '55/'56 Has a 2 Piece Tail Pipe: use 5255s and 5263s.

5255KA	Pipe Muffler Outlet - 57 - W/292 - RH - 2 Pc.....	69.95
5255LA	Pipe Muffler Outlet - 57 - W/292 - LH - 2 Pc.....	69.95
5255MA	Pipe Muffler Outlet - 57 - W/312 - RH - 2 Pc*.....	147.95
5255NA	Pipe Muffler Outlet - 57 - W/312 - LH - 2 Pc*.....	144.95

NOTE: Our 57 exhaust pipes are made with a two piece tail pipe for ease of installation.

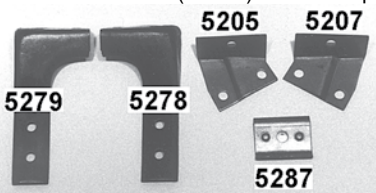
303 HWK Muffler Inlet Pipes to Exh Manifolds w/Brass Nuts 15.90



5202 OR 5203 5202A

292 PIPES  
CAN BE USED WITH  
312 ENGINES

5202	Deflector - Exhaust - RH - 56.....	41.50
5203	Deflector - Exhaust - LH - 56.....	41.50
260A	HWK Exhaust Deflectors to Bumper - 56 - 22 pcs.....	7.40
5202A	Deflector - Exhaust - (same for RH or LH) - 57.....	49.95
260B	HWK Exhaust Deflector (5202A) for 57 - 12 pcs.....	26.30



5205	Bracket - Tail Pipe Hanger - RH - 56/57.....	6.15
5207	Bracket - Tail Pipe Hanger - LH - 56/57.....	5.55
262	HWK Exhaust brackets (5205/7) to Frame 16 pcs.....	4.05

## MUFFLERS

5230	Muffler - Aluminized.....	89.00
5230AS	Muffler - Aluminized - for use on stainless steel exhaust pipes.....	89.00
5230SS	Muffler - All Stainless Steel.....	N/A

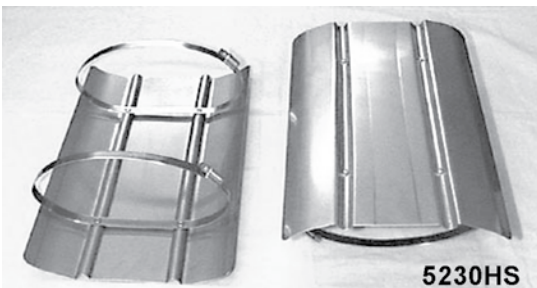
5251	Clamp - Intermediate W/Bolt & Nut & L/W.....	5.90
5251SS	Clamp as Above - Stainless Steel.....	9.95
5251C	Clamp - Rear Like Orig - 57 - Use With 5261C.....	6.90
5251CSS	Clamp - as Above - Stainless Steel.....	10.32

## Aluminized Exhaust Pipe & Muffler Kits

A Complete set of Exhaust Pipes: Includes 5246, 5248, 5255's, 2 - 5230 mufflers and 3 - 9450 gaskets & for 55/'56's 5263's.  
 EPK55A Aluminized For 55, SAVE \$14.00.....388.30  
 EPK56292A Aluminized For 56 w/292, SAVE \$15.00.....400.40  
 EPK56312A Aluminized For 56 w/312, SAVE \$18.00.....554.40  
 EPK57292A Aluminized For 57 w/292, SAVE \$15.00.....401.50  
 EPK57312A Aluminized For 57 w/312, SAVE \$18.00.....551.50

## Stainless Steel Exhaust Pipe Kits

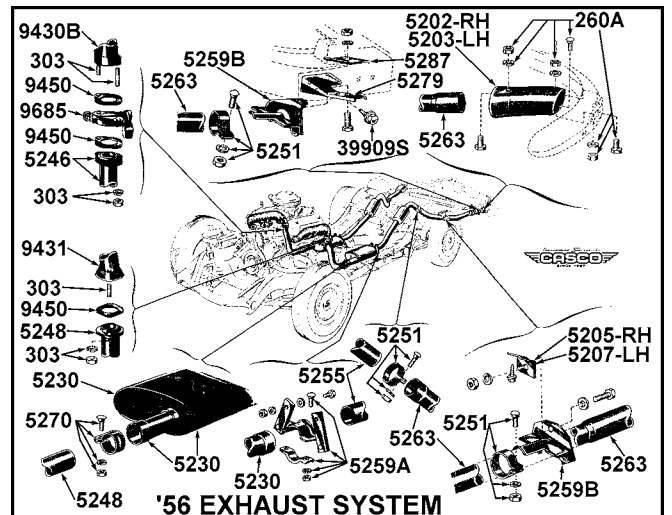
STAINLESS STEEL EXHAUST PIPES (304) are available in sets only. Set includes all pipes 5246; 5248; 5255, and 5263 as needed - 57 pipes are 2 piece. Resonators where used are also stainless. Set does not include mufflers or gaskets.  
 SSEP55 For 55.....NLA  
 SSEP56292 For 56 With 292 Engine.....NLA  
 SSEP56312 For 56 With 312 Engine - W/Resonators.....799.00  
 SSEP57292 For 57 With 292 Engine.....610.00  
 SSEP57312 For 57 With 312 Engine - W/Resonators.....N/A

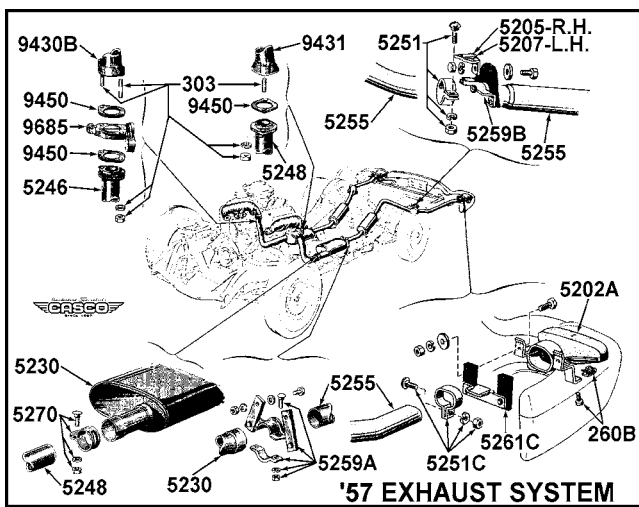


## REDUCE RADIANT COCKPIT HEAT

Decrease the heat transfer from the mufflers to the floor of your T-Bird. Our tests show that if your muffler reaches 250 degrees, these shields only reach about 100 degrees. All stainless steel construction. Shield measures 14"L x 9.5"W and clamp to the top of the mufflers. Mufflers must be removed for installation.

5230HS	Heat Shields for Mufflers - Pair.....	72.95
--------	---------------------------------------	-------





- 5256A Resonator Only - Weld Into Your Exhaust..... 59.90
- 5259A Front Hanger - Muffler Outlet Pipe .....21.80
- 5259ASS Hanger - as Above - Stainless Steel .....31.80
- 5259B Hanger - Intermediate - Muffler Outlet Pipe ..... 15.15
- 5259BSS Hanger - as Above - Stainless Steel .....25.50



- 5261A Exhaust Bracket - Rear - 55..... 12.49
- 261A HWK to attach Rear Exhaust Hanger (5261A) - 6 pcs ..... 1.78
- 5261C Rear Hanger - Like Original - 57 ..... 8.82
- 5261CSS Hanger - as Above - Stainless Steel ..... 19.90
- 5263AA Extension - Muffler Outlet Pipe - 55 .....22.90
- 5263BA Extension - Muffler Outlet Pipe - 56 - RH .....31.95
- 5263CA Extension - Muffler Outlet Pipe - 56 - LH.....31.95



- 5270 Clamp - 2" - Muffler Inlet Pipe to Muffler - With Attaching Parts.....5.85
- 5270SS Clamp as Above - Stainless Steel ..... 11.59
- 5278 Bracket - Tail Pipe Hanger - Rear - RH - 56 ..... 11.10
- 5279 Bracket - Tail Pipe Hanger - Rear - LH - 56..... 11.10
- 5287 Plate - Rear Tail Pipe Hanger - 56 .....3.49



- 9430A Gasket Set - Exhaust Manifolds - Incl 3 9450 ..... 19.98



- 9430B Exhaust Manifold - 57 - RH - Replacement for 55 & 56 .....279.00
- 9431 Exhaust Manifold - 55/57 - LH - T-Bird Only.....279.00
- 304 HWK Exhaust Manifolds to Heads - 28 pcs .....5.80
- 9A435 Spacer - Replaces Heat Riser Valve 9685 ..... 20.95
- 9450 Gasket - Exhaust Manifold to Inlet Pipe .....2.90
- 9685 Valve - Exhaust Thermostatic Control .....93.35

**EXHAUST CLAMP & HANGER KIT**  
YOU SAVE \$5.00

- ECHK55 Exhaust Clamp & Hanger Kit - 55 - Includes 2 - 5270; 2 - 5251; 2 - 5259A; & 2 - 5261A ..... 89.08
- ECHK55SS As Above in Stainless Steel (Except 5261A Which is NOT Stainless) .....128.66
- ECHK56 Exhaust Clamp & Hanger Kit - 56 - Includes 2 - 5270; 6 - 5251; 2 - 5259A; & 4 - 5259B ..... 148.30
- ECHK56SS As Above in Stainless Steel .....245.48
- ECHK57 Exhaust Clamp & Hanger Kit - 57 - Includes 2 - 5270; 4 - 5251; 2 - 5251C; 2 - 5259A; 2 - 5259B; & 2 - 5261C ..... 137.64
- ECHK57SS As Above in Stainless Steel .....235.02



Classic Auto Supply is excited to announce that our town of Coshocton is "The Made in The USA City". We're a 200 year old community with a rich history of manufacturing innovations and our local retailers are focused on showcasing made in the USA products. Besides being the home of the largest American Flag manufacturer, we have many diverse companies making ductile pipe, cardboard, castings, bacon, Thunderbird parts, and more.

Coshocton was the birth place for the Specialty Advertising Industry, latex coated gloves, March of Dimes, Pope Gosser China, and much more.

We are a small city nestled in the rolling hills of East Central Ohio where the Tuscarawas and Walhonding Rivers meet to form the Muskingum River. We are also home of the historic canal era town of Roscoe Village, which offers educational tours and canal boat rides. A short 30 minute drive will take you to the largest Amish community in the United States.

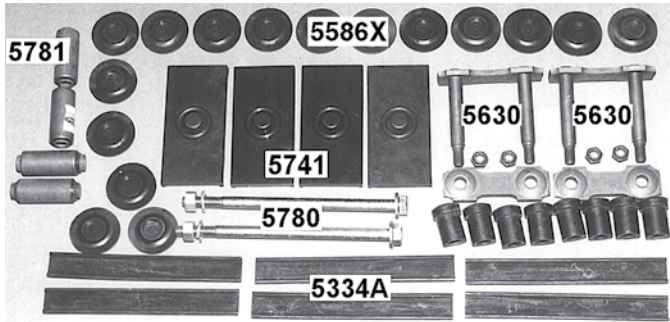
Coshocton boasts a solid industrial base, unique retail shops, outstanding recreational opportunities and an abundant artistic environment. Our county also is home to five scenic wineries, quilt barn trails, and much more.

We enjoy the safety and friendliness of a "small town" atmosphere, with big city amenities just a short drive away. If you are interested in visiting our community and want more information about the area go to [www.visitcoshocton.com](http://www.visitcoshocton.com) or ask when you place your next parts order!

# REAR SPRINGS

5334A	Liner - Rear Spring Clamp - Rubber - 55/56	1.55
5334B	Liner - Rear Spring Clamp - Rubber - 57	2.09
5560A	Rear Spring With Cupped Ends - 55	263.38
5560B	Rear Spring - With Cupped Ends - 56/57	278.00

**NOTE: REAR SPRINGS SHIPPED AT ACTUAL SHIPPING COSTS. CALL FOR SHIPPING QUOTE.**



### REAR SPRING REPAIR KIT YOU SAVE \$3.00

Rear Spring Repair Kit - Includes 2 - 5630; 4 - 5741; 1 - 5780; 16 or 12 - 5586X; 6 - 5334A; 2 - 5781 & 2 - 354721S.

5560AK	For 55	131.32
5560BK	For 56/57	126.32

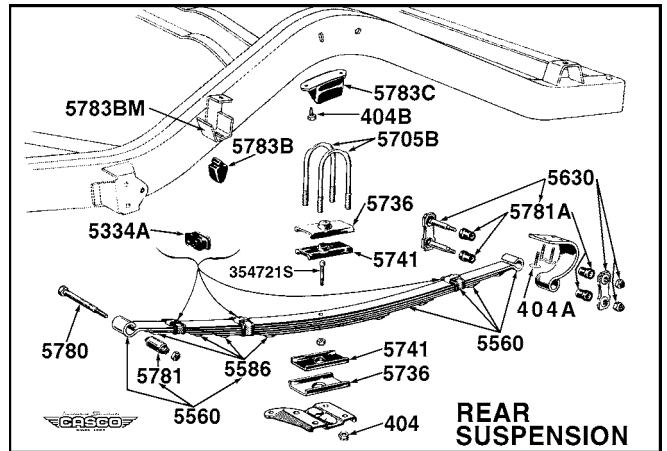
**NOTE: ANTI SQUEAKS: 16 USED ON 55's; 12 USED ON 56 & 57's**

5586	Anti Squeak - Rear Spring - Original Fiber Type - Not Replacement Plastic As Shown	2.97
5586X	Anti Squeek Rear Spring - Replacement Type	1.42
5630	Kit - Shackle - Rear Spring - Rear - need 2/car	11.85
5705B	U - Bolt - Rear Spring	15.21
404	HWK Rear Spring U Bolt Nuts - 4 pcs - need 2kits/car	9.75



5724BK	Kit - Rear Spring Clamps & Liners for '57 Exactly like original. Includes 6 clamps, 6 liners & instructions 1 kit per car	20.95
5736	Retainer - Rear Spring Center	7.85

**Sway Bars & Gas Shocks  
See Improved Handling Kit page 15**



5741	Insulator - Rear Spring Center	3.60
5780	Stud Kit - Rear Spring Front Hanger 6 Pcs - Enough for Both Sides	11.00

### REAR SPRING INSTALLATION KIT

RSIK55	Includes: 4 - 5741; 1 - 5780; 8/12 - 5781A For 55	35.00
RSIK567	For 56/57	35.00

5781A	Bushing - Rear Spring - Rear & Shackle	1.20
5781B	Bushing - Rear Spring - Front - 55	6.95
5781C	Bushing - Rear Spring - Front - 56/57	7.29



5783A	Bumper - Rear Axle - 56/57	6.40
5783AP	Mounting Plate For 5783A Bumper Above	6.50
5783B	Bumper - Rear Spring - 55/56	7.60
5783BM	Mount for 5783B bumper - welds to frame - 55/56	18.95
5783C	Bumper - Rear Axle - With Metal Plate - 55	12.37
5783D	Bumper - Differential - Original Shape - 57	7.29

### HARDWARE KITS for this area - Complete List - Page 44

404A	Rear Spring Perch to Frame - 18 pcs	7.30
404B	Rear Axle Bumper to Frame - 4 pcs	2.50

## Lithograph Prints

Years ago, CASCO commissioned automotive artist David Snyder to do two paintings featuring all three years of the Classic Thunderbird. Mr. Snyder painted Dairy Freeze and Club Picnic. Limited edition, signed and numbered, printed on 18" x 24" acid free 80# stock.



ClubPic ..... 60.00

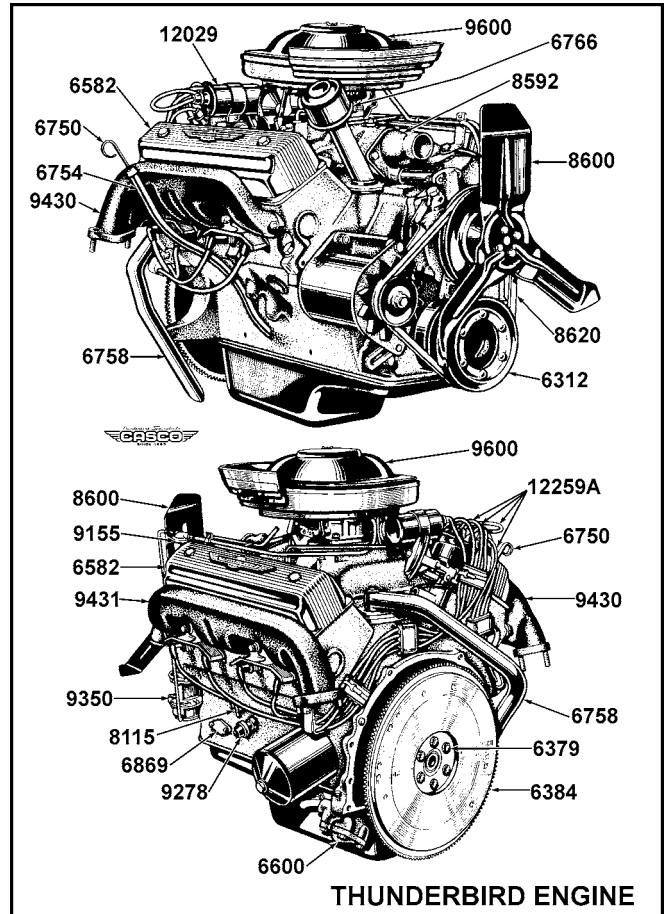
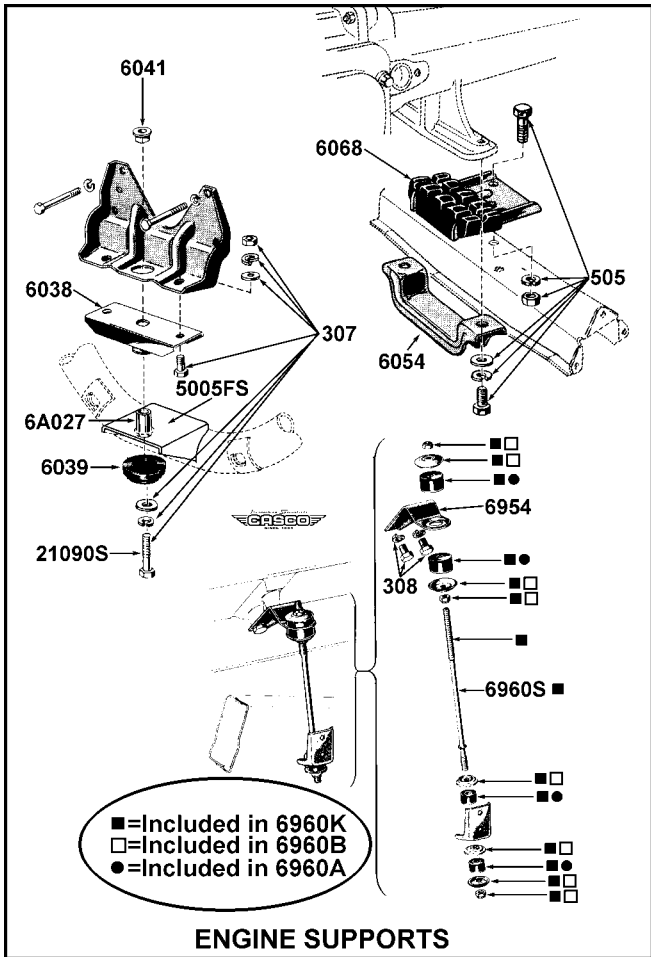
**ClassicTBird.com**

For more extensive pictures, illustrations and descriptions of our parts, please visit our web site using the URL or scanning the QR code to the right.

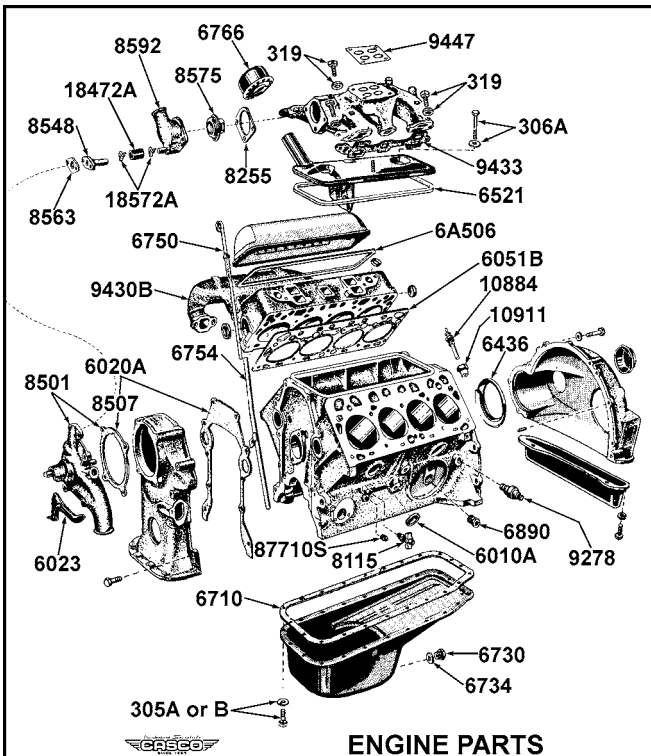




# ENGINE AND MOUNTS



- 5005FS Front engine mount - welds to frame ..... 39.95
- 6008 Gasket Kit - Complete Engine Overhaul -  
56 pcs. No exhaust manifold gaskets ..... 168.89
- 6010A Freeze Plugs for engine block. Set of 4 ..... 5.50
- 6010B Freeze Plugs - Brass. Set of 4 ..... 22.72
- 6020A Timing cover seal & gasket kit -  
Includes 6020; 8507; & 6700 Seal ..... 24.73
- 6023 Pointer - Timing ..... 15.29
- 6A027 Spacer - Engine Front Support ..... 3.10
- 6038 Insulator - Engine Front Support ..... 31.50
- 6039 Insulator - Engine Front Support - Lower ..... 7.90



**ENGINE SUPPORT KIT**  
YOU SAVE \$1.50

Includes: 1 - 6039; 2 - 6960A; 1 - 6038; & 1 - 6068

ESK55E For 55/56 ..... 70.45

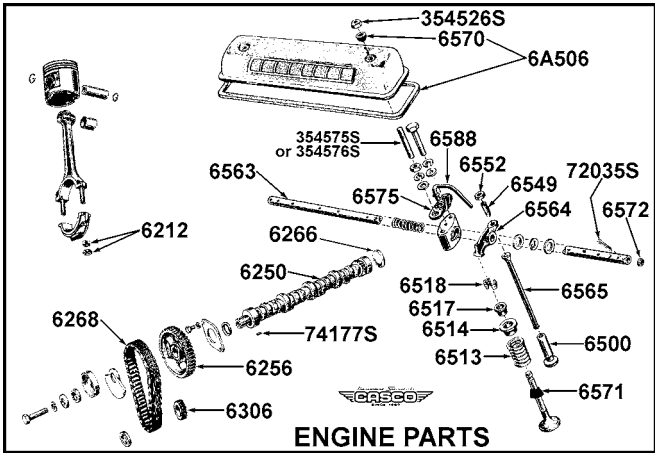
ESK57 For 57 ..... 64.75

- 6041 Nut - Special - Front motor mount ..... 7.29
- 6051B Head Gasket - heavy duty metal core  
composition. Price is each ..... 38.97
- 6054 Rear engine support retainer (3/8" hole) - 55/56 ..... 28.95
- 6054C Rear engine support retainer (1/2" hole) - 57 ..... 28.95
- 6068A Support - Engine Rear - 55/56 ..... 20.65
- 6068B Support - Engine Rear - 57 ..... 14.95



- 6079 Gasket Kit - Valve Grind - 40 Pcs. Does not include  
exhaust manifold gaskets - (also see 6008 for  
complete gasket kit) ..... 146.99

# ENGINE AND MOUNTS



## ENGINE PARTS

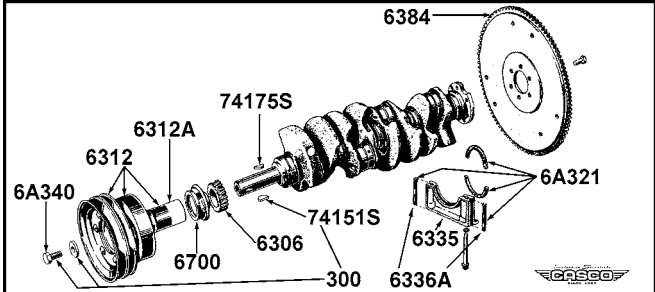
- 6212 Nut - Connecting Rod Bolt w/ 45218S Lock Nut .... 4.28
- 6250 Camshaft - Warm 292 - New Not Re grind..... 183.75
- 6250A Camshaft - 312 Hi Lift - Stock for D and F Engines - Can Be Used In 292 - New ..... 225.00
- 6256 Sprocket - Timing Chain At Camshaft ..... 43.80
- 6266 Plug - Camshaft - Rear of Block..... 2.25
- 6268 Timing Chain ..... 46.30
- 6306 Sprocket - Timing Chain at Crankshaft ..... 13.99
- 6312R\* REBUILT Harmonic Balancer - Pulley Assy ..... 350.00
- \*with CORE CHARGE of \$250.00 (refunded with rebuildable core)
- 6312A Sleeve - Harmonic Balncr Seal Area Repair ..... 18.26

SEE PAGE 57 FOR SPECIAL TOOLS:  
 TL7 - Harmonic balancer & pulley removal tool  
 TL10 - Crankshaft installation tool

- 6A321 Kit - Crankshaft Rear Main Seal - developed by CASCO - hi-tech elastomer side seals & rope journal seals. Effective for either 292 or 312 engines. With installation instructions ..... 25.50
- 6A321B Rear Main Seal Kit - "Neoprene" - 292 ONLY ..... 22.80



- 6A321D Rear Main Seal Kit for 312 - Silicone. Designed and Manufactured Specifically for the 312 Engine. Molded from High Temperature Silicone - Good to about 450 Degrees this Seal is Designed to Fit and Made to Last. .... 49.95
- 6335AK Cap & Seal for 292 Rear Main ..... 178.75
- 6335B Cap only for 312 Rear Main ..... 91.00
- 6336A Side Seals Only - Rear Main - Comes In 6A321 ... 10.70
- 6A340 Bolt - Damper to Crankshaft..... 2.50



- 6375A Flex Plate F/M Water Cooled ..... 62.63
- 6375WS Spacer only for Flex Plate F/M Water Cooled ..... 7.45
- 6384 Gear - Flywheel Ring W S/T & O/D..... 44.71
- 6436 Starter Seal - Original Rubber Type ..... 13.58
- 6500 Valve Lifter - Solid - 16/Car - Price is Each ..... 23.65
- 6A506 Kit - 2 Rocker Arm Cover Gaskets and 4 - 6570 Grommets ..... 24.30
- 6513 Valve Springs - Set of 16..... 32.75
- 6514 Retainer Valve Spring Except 57 Dual 4 & S/C..... 2.02
- 6517 Sleeve - Valve Spring Retainer ..... 2.00

- 6518 Key - Valve Spring Retainer - Need 2/valve ..... 65
- 6521 Gasket - Valley Cover..... 11.54
- 6552 Lock Nut - Valve Adjusting Screw..... 1.61
- 6563 Shaft Only - Rocker Arm ..... 34.45
- 6564 Rocker Arm With 6549B Screw ..... 49.09
- 6565A Push Rod - Valve - 292 - 8.297" Long - 55..... 15.67
- 6565B Push Rod - Valve - 292 & 312 - 8.188" Long - 56/57 (Except 57 Dual 4 bbl & S/C) ..... 15.75
- 6570 Grommet - Rocker Arm & Valve Push Rod Cover... 2.71
- 6570C Grommet - For P/S Reservoir Cover ..... 1.50
- 6571 Seal - Valve Stem..... 1.98
- 6575 Bracket - Rocker Arm Oil Tube..... 2.63

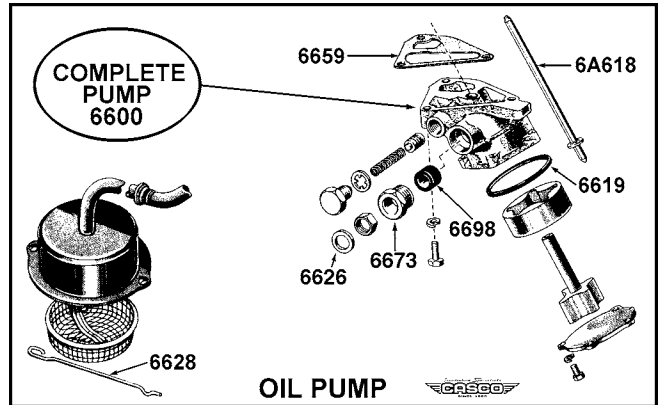


- 6582X Rocker Arm Cover - Aluminum Reproduction ... 340.00

## ALUMINUM ROCKER ARM COVER INSTALLATION KIT

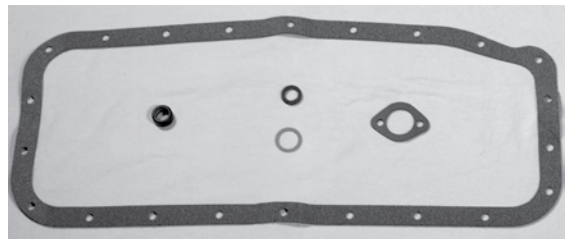
YOU SAVE \$1.00

- 6582K Includes gaskets; seals; studs; chrome washers; and chrome acorn nuts ..... 67.06

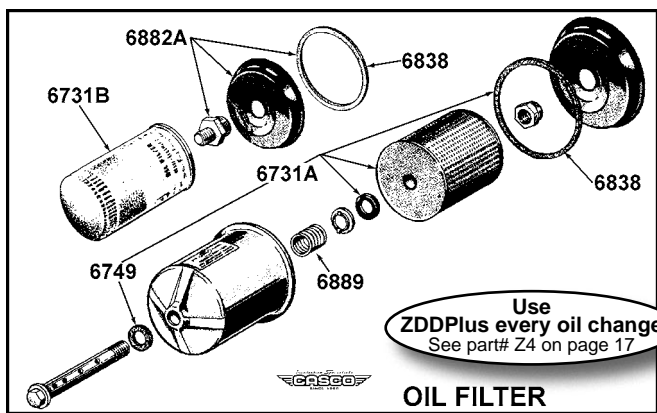


## OIL PUMP

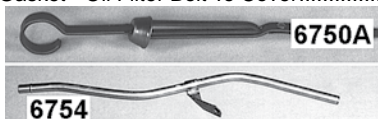
- 6588 Tube - Rocker Shaft Oil Outlet ..... 11.95
- 6600 Oil Pump - Complete - w/o Pickup Tube ..... 178.00
- 6A618 Shaft - Oil Pump Intermediate ..... 24.15
- 6619 Gasket - Oil Pump Cover Plate - Rotor Type ..... 3.40
- 6619A Gasket - Oil Pump Cover - Gear type ..... 2.74
- 6626 Gasket - Oil pump pick up tube to oil pan ..... 1.40
- 6628 Retainer - Oil Pump Screen ..... 10.00
- 6659 Gasket - Oil Pump - Rotor Type - To Block ..... 2.52
- 6673 Nut - Oil pan tube to pump ..... 14.95
- 6698 Seal - Oil Pump to Oil Pump Tube ..... 6.90
- 6700 Oil Seal - Timing Chain Front Cover (Also See 6020A) ..... 11.65



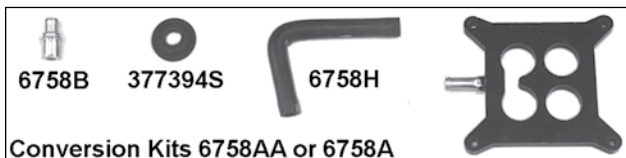
- 6710 Gasket Kit - Engine Oil Pan ..... 26.95
- 6730A Plug - Oil Pan - 55/56 - 7/8" Diameter ..... 9.90
- 6730B Plug - Oil Pan - 57 - 1/2" Diameter ..... 2.05
- 6730C Plug - Oversized - for Oil Pan, with Gasket 55/56 - 7/8" Diameter ..... 5.85
- 6730D Plug - Oversized - for Oil Pan, with Gasket 57 - 1/2" Diameter ..... 1.92



- 6731A Oil Filter Element - Not "Spin - On" ..... 13.95
- 6731B Oil Filter Element - "Spin - On" ..... 13.75
- 6734A Gasket - Oil Pan Drain Plug - 7/8" ID ..... 1.19
- 6734AC Copper Gasket for oil pan drain plug - 7/8" ID ..... 3.44
- 6734B Gasket - Oil Pan Drain Plug - 1/2" ID ..... .80
- 6749 Gasket - Oil Filter Bolt To Cover ..... 2.90



- 6750A Dip Stick - Engine Oil - Like Original ..... 24.75
- 6754 Tube - Dip Stick - Engine Oil ..... 24.26
- 6758 Downdraft Tube ..... 44.59



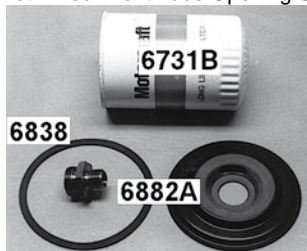
Conversion Kits 6758AA or 6758A

**PCV Conversion Kit** - Eliminates downdraft tube and eliminates smoke. This is a non - original modification

- 6758AA PCV Conversion - 55/56 ..... 68.95
- 6758A PCV Conversion - 57 - 4 bbl Only ..... 78.95
- 6758B PCV Valve Only (comes With 6758A & AA) ..... 10.12
- 6758C PCV Conversion Kit - 57 2bbl ..... 79.95
- 6758H PCV Hose only (comes With 6758A & AA) ..... 17.95



- 6766 Oil Filler Cap - Chrome Reproduction - Has the RR Stamped into the Top ..... 31.50
- 6766A Oil Filler Cap - Replacement ..... 16.23
- 6838 Gasket - Oil Filter Diaphragm ..... 2.83
- 6869 Cover - Block Vent Tube Opening ..... 9.95
- 6870 Gasket - Downdraft (Crank Vent) Tube ..... 1.50
- 6872 Gasket - Block Vent Tube Opening Cover ..... 1.66

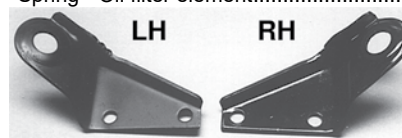


- 6882A Kit - "Spin - On" Oil Filter Adapter (no filter) ..... 28.85

**SPIN ON FILTER & ADAPTER KIT**  
YOU SAVE \$1.00

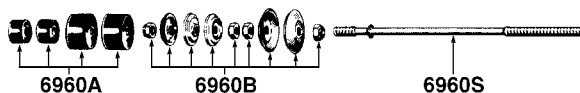
- 6882BK Kit - "Spin - On" Oil Filter Adapter - Includes 6731 Filter ..... 41.60

- 6889 Spring - Oil filter element ..... 4.95



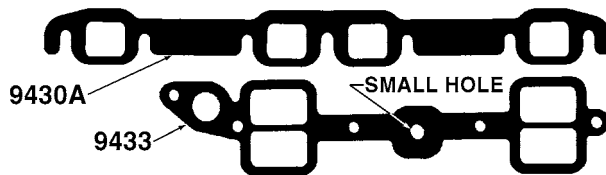
- 6954 Bracket - Engine Steady Rest - Upper RH ..... 18.95
- 6955 Bracket - Engine Steady Rest - Upper LH ..... 18.95

**6960K**  
Kit - Engine Steady Rest (Need 2 per car) ..... 19.25



- 6960A Grommet Kit - Engine Steady Rest - 4 Pcs. - 2 kits per car required ..... 5.95
- 6960B Washer Kit - Engine Steady Rest - 2 per car ..... 6.50
- 6960S Rod - Special - Engine Steady Rest - 2 per car ..... 6.80

- 8255 Gasket - Water Outlet Connector to Intake Manifold ..... 1.60
- 8575A Thermostat - Water - 160 Degrees ..... 11.25
- 8575B Thermostat - Water - 180 Degrees ..... 14.98
- 8575C Thermostat - Water - Large Opening - 170 degrees - comes with gasket ..... 19.60
- 9278 Switch - Oil Pressure - Engine Unit ..... 7.25



- 9430A Gasket Set - Exhaust Manifolds. Includes three manifold to down pipe gaskets (9450) ..... 19.98
- 9430B Exhaust Manifold - 57 - RH - Replacement for 55 & 56 ..... 279.00

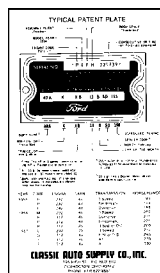


- 9431 Exhaust Manifold - 55/57 - LH - T-Bird Only ..... 279.00
- 9433 Gasket Set - Intake Manifold - Small Hole ..... 13.65
- 319 Intake Manifold to Heads - 21 pcs ..... 8.95

**ClassicTBird.com**

**SHOP TIP**

□ 90 weight grease is used in the T-Bird steering box, standard transmission, and differential. For power steering & automatic transmission we use Dextron III

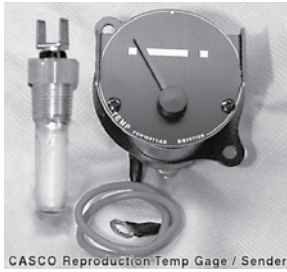


**BE AN EXPERT!!**

**DATA PLATE DECODER CARD** - This wallet sized card will provide you with the codes you need to enable you to decode data plates. You will be able to determine original exterior and interior colors, engine size, manufacture date, etc. Plastic, wallet-sized, durable card.  
DECODER ..... 2.00



# ENGINE AND MOUNTS



**Temperature sender adapter removal tools**  
For '55 & '56 - TL5 and For '57 - TL6 - Listed on page 57

## HARDWARE KITS for this area - Complete List - Page 44

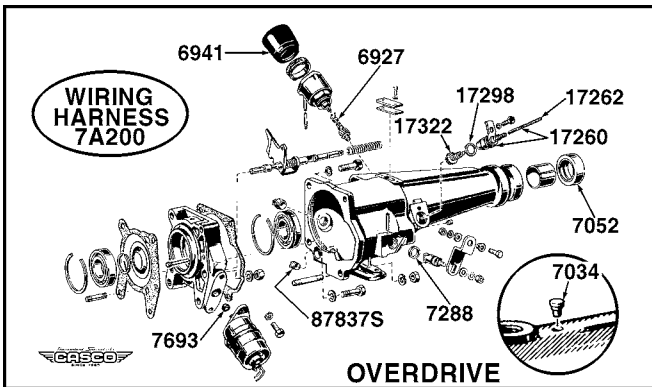
300	Flywheel Damper to Crankshaft - 4 pcs.....	9.47
303	Muffler Inlet Pipes to Exhaust Manifolds Studs with Brass Nuts - 12 pcs.....	15.90
304	Exhaust Manifolds to Heads - 28 pcs.....	5.80
305A	Oil Pan to Block - 55/56 - 46 pcs.....	16.15
305B	Oil Pan to Block - 57 - 42 pcs.....	17.55
306	Vent Tube Opening Cover (6869) to Block - 4 pcs.....	1.80
306A	Downdraft Tube to Engine - 3 pcs.....	1.76
307	Front Engine Support Insulator to Frame - 11 pcs.....	8.50
307B	Rear Transmission Mount to Frame - 6 pcs.....	2.70
307C	Rear Transmission Brace to Frame - 18 pcs.....	2.90
308	Engine Steady Rest Brackets to Block 8 pcs.....	3.75
309	Water Outlet Connector (8592) and By - Pas8 Tube (8548) to Manifold and Water Pump - 8 pcs.....	2.31
310	Starter to Bell Housing - 6 pcs.....	1.75
311	Ignition Cable Brackets to Engine - 8 pcs.....	2.90
311A	Coil Bracket to Manifold - 4 pcs.....	2.38
311B	Distributor Retaining Clip to Block - 2 pcs.....	1.60
311C	Tach Cable Clip to Distributor - 2 pcs.....	1.45
318B	Fuel Pump to Timing Cover - 4 pcs.....	1.93
318C	Fuel Pump Diaphragms - Screws & L/W - 36 pcs.....	4.45
319	Intake Manifold to Heads - 21 pcs.....	8.95
319A	Carb to Intake - Nuts & Washers - 55/56 - 8 pcs.....	1.75
319C	Choke Assy to Intake Manifold - 55 - 6 pcs.....	3.55
319D	Dashpot bracket 9B550 to Carb - 2 pcs.....	1.85
320K	Aluminum Rocker Arm Covers to Heads Includes Chrome Wash, Acorn Nuts & Long Studs, 12 pcs.....	41.46
320A	Nuts and Washers Only from 320K - 8 pcs.....	34.00
320B	Washers Only from 320K - 4 pcs.....	3.85
320C	Nuts Only from 320K - 4 pcs.....	26.30
505	Rear Engine Mount to Frame and Transmission - 12 pcs.....	3.55

- 10883B5 Temp Sender & Dash Gauge Set 1955 12v  
Includes sender, gauge, & instructions ..... 128.95
- 10883B6 Temp Sender & Dash Gauge Set 1956 12v  
Includes sender, gauge, & instructions ..... 128.95
- 10883C Temp Gauge Only 57 ..... 119.50



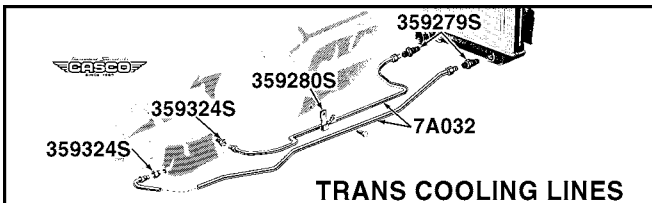
- 10884A Temperature Sender - 55 Use Original Gauge..... 82.00
- 10884A5 Temperature Sender Only from 10883B5  
Use ONLY with CASCO replacement gauge ..... 29.95
- 10884B Temperature Sender - 56 Use Original Gauge..... 80.75
- 10884B6 Temperature Sender Only from 10883B6  
Use ONLY with CASCO replacement gauge ..... 29.95
- 10884C Temperature Sender - 57 Use Original Gauge..... 24.20
- 10885 Temperature Sender & Gauge 1955 6v  
\*like original\* ..... 174.95
- 10911A Bushing press into head temp sender - 55/56 ..... 14.70
- 10911B Bushing - press into head - temp sender - 57 ..... 14.70
- 74151S Key - Flywheel damper to Crankshaft ..... 1.05
- 74175S Key - Timing gear & generator pulley..... 48

# TRANSMISSION, OVERDRIVE & SHIFTERS

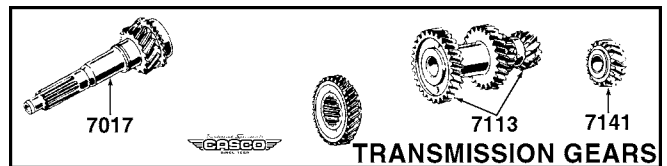


- 00134 Spacer - Brake Pedal Support to Body ..... 3.80
- 01694 Grommet - Firewall - Speedo. & O/D Cable - S/T ... 6.25
- 01695 Grommet - Speedometer Cable=With F/M..... 1.90
- 6375A Flex Plate - F/M - Water Cooled Trans..... 62.63
- 6375WS Spacer only for flex plate F/M water cooled trans... 7.45
- 6927 Seal - O/D Governor to Housing ..... 1.05
- 6941 Cover - O/D Governor - Rubber ..... 5.20

- B7A-7017-B Transmission Input Shaft -57 292 S/T -21 tooth.. 110.00
- B7A-7017-H Trans Input Shaft - 55/56 S/T, 55 O/D -17 tooth.. 110.00
- 7A020 Dipstick - Fordomatic Transmission ..... 29.26



- 7A032A F/M Trans. Cooling Lines - Set - 56/57 ..... 46.95
- 7A032ASS Same As Above - Stainless Steel Line ..... 81.95
- 7A032B F/M Trans. Cooling Line - Set - 56/57 -  
With Expansion Hump..... 46.95
- 7A032BSS Same As Above - Stainless Steel Line ..... 81.95
- 7034 Vent - Transmission and O/D ..... 11.32
- 7052A Seal - Transmission Rear for 55/56 - S/T,  
55 - O/D, and 57 with 292 ..... 16.29
- 7052B Seal - Transmission Rear for 57 w/312 and  
56 & 57 w/O/D..... 8.45
- 7052C Seal - Transmission Rear - F/M ..... 8.40
- 7052D Seal & Bushing Kit for 55/56 - S/T,  
55 - O/D, and 57 with 292 ..... 24.85
- 7052F Seal & Bushing Kit - F/M..... 24.95
- 7075 Transm alignment plate - rear mount ..... 18.97
- 7A098 Screen - F/M - Oil Pan - includes pan gasket ..... 44.60



- 7A110 Chrome shifter POINTER, with screw ..... 153.00
- 7A110A Screw for F/M shifter pointer - stainless..... 53



- 7A133 Bushing & Washer Kit - F/M Trans.  
Shift Lever ..... 9.78
- B9AR-7141-A Reverse Idler Gear Assy - 57 - 292 - S/T ..... 38.00

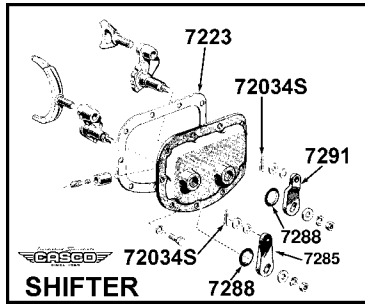
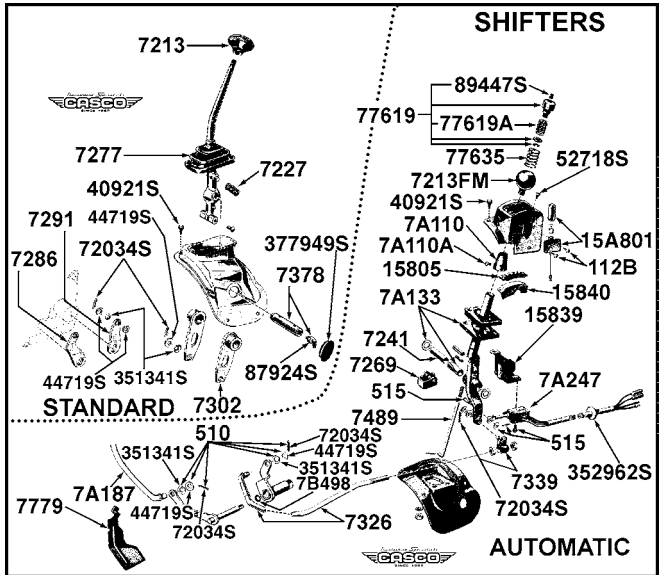


- 7153A Gasket Set - Trans - 57 - 312 - S/T & O/D - 56/57 36.75
- 7153B Gasket Set - Transmission - 55/56 - S/T .....36.75
- 7153B Gasket Set - Transmission - 57 - 292 - S/T .....36.75
- 7153F Automatic Trans. "O" Ring & Gasket Kit .....98.90
- 7A185A Bellcrank on Manifold - F/M - 55 .....140.00
- 7A185AS Bellcrank on Manifold - ST - 55 .....120.00
- 7A187A Rod - Fordomatic Kickdown - 55/56 .....72.50
- 7A187B Rod - Fordomatic Kickdown - 57 .....67.35

- 7489 Rod - Release - Fordomatic Shifter.....5.22
  - 7B498 Seal Set - F/M Manual Control Lever .....2.69
- OUR 7513 DUST SHIELD IS MADE WITH TAN LEATHER & IS LIKE THE ORIGINAL IN EVERY WAY INCLUDING THE WIRE RETAINING FRAME



- 7513 Dust Shield - Clutch Release Lever .....37.00



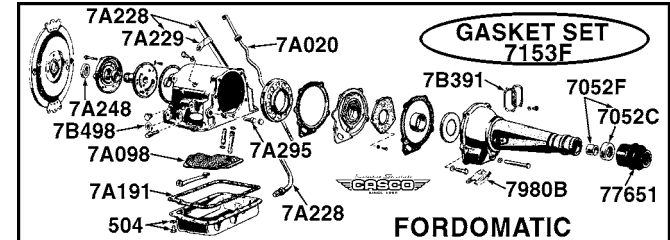
- 7A191 Gasket - F/M Oil Pan.....9.32
- 7A200 Wire Harness - Overdrive.....32.25
- 7213 Ball - Gear Shift Lever - S/T & O/D .....10.40
- 7213FM Ball - Gear Shift Lever - Fordomatic.....31.05
- 7A215 Bracket - Overdrive cable to dash.....9.95
- 7223 Gasket - Gear Shift Housing - 56/57 - 312.....2.00
- 7227 Spring - Gear Shift Lever .....13.00
- 7A228 Dipstick Tube - F/M - With 7A229 Brkt.....23.65
- 7A229 Bracket - F/M Dipstick Tube .....5.17

- 7517 Bushing - Clutch Release Equalizer Shaft - Pair .....7.54
- 7523 Spring - Clutch Arm Return .....3.40
- 7527 Seal - Clutch Pedal Rod - Replacement .....20.50
- 7542 Bracket - Clutch retracting spring.....9.95
- 7545 Spring - clutch bar .....6.35
- 7550 Clutch Disc - 11" - Remanufactured .....115.00

- 7241 Pivot Pin - F/M Shifter .....8.35
- 7A247P Modified Neutral Safety Switch - allows car to start in Neutral OR Park.....132.03
- 7A248 Seal - F/M Front .....17.95
- 7A256 Shifter Arm for Fordomatic transmission .....153.00



- 7269 Pawl - F/M Shifter Lever.....22.40
- 7277 Boot - Gear Shift Lever .....20.51
- 7A283 Seal - S/T Input Shaft - 57.....15.45
- 7285 Lever - 1st & Reverse shifter for 56/57 O/D & 57 312 S/T.....39.98
- 7286 Lever - High & 2nd shifter for 292 S/T & 55 O/D .....24.95
- 7288 Seal - O/D Control & Manual Shift Levers.....10.85
- 7291 Lever - 1st & Reverse shifter for 292 S/T & 55 O/D .....24.95
- 7A295 Pin - Park Brake Toggle Lever - In Trans .....15.68



- 7562 Spring - Clutch release anti - rattle.....7.95
- 7563 Clutch Pressure Plate - 11" - Remanufact.....157.00
- 7A574 Spring - Clutch Pedal Assist.....7.93
- 7580 Bearing - Clutch Release (Throwout Bearing) .....25.97
- 7583 Bumper - Clutch & Brake Pedal Arm .....4.10
- 7600 Bearing - Clutch Pilot .....9.72

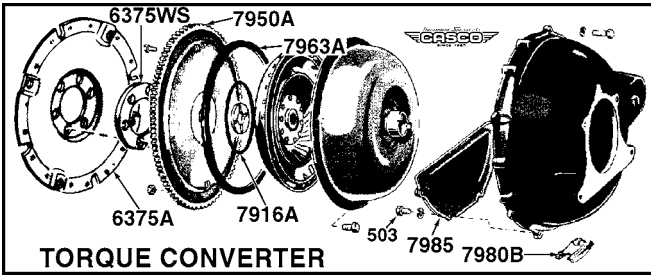


- 7302 Lever - Standard Shifter (2 per car) .....53.75
- 7325 Rod - Standard & O/D, 2nd & 3rd .....129.90
- 7326 Rod - Shifter to Transmission - F/M .....64.65
- 7327 Rod - Standard & O/D, Low and Reverse .....129.90
- 7B331B Snap Ring & Washer Kit - Std Trans - 57 - 312.....76.70
- 7339 Bracket - Fordomatic shift rod to shifter .....10.25
- 7354 Clevis - F/M trans. throttle control shift rod 55/56 ...9.42
- 7378 Shaft - Gear Shift Lever Support.....62.35
- 7B391 Gasket - Governor Inspection Cover to Extension Housing .....2.72



- 7A652 Switch - O/D Kickdown.....45.45
- 7693 Oil Seal - O/D Solenoid .....8.10
- 7779A Splash Shield - Shift Linkage - Air Cooled Transmission - 55/56 .....17.25
- 7779B Splash Shield - Shift Linkage - Water Cooled Transmission - 56/57 .....25.51

# TRANSMISSION, OVERDRIVE & SHIFTERS

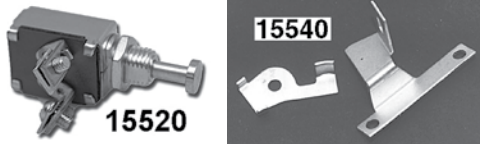


**TORQUE CONVERTER**

IF YOU HAVE "TRANSMISSION LEAKS" DON'T OVERLOOK 7916 & 7963.



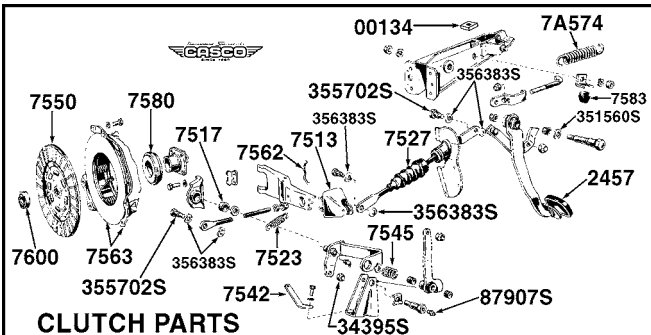
- 7915A Hub Only - Air Cooled Torque Converter..... N/A
- 7916A Seal - Converter Impeller Hub to Impeller - 4 1/2" OD - Air Cooled Only ..... 4.20
- 7950A Ring Gear - Starter - F/M Torque Converter - Machined to FIT PROPERLY..... 72.89
- 7963A Seal - Converter Cover to Impeller - About 12" Diameter..... 10.67
- 7980B Inspection Cover Lower water cooled tran - 56/7...26.17
- 7985 Cover - converter housing.....39.95
- 503 HDK - 7985 Cover to Housing - 8 pcs.....2.95



- 14476 Wire - Neutral Safety Switch ..... 32.50
- 15517 Bracket kit - Backup switch - 312 S/T or O/D..... 18.00
- 15520 Switch - Backup Lamp - S/T or O/D ..... 59.95
- 15540 Bracket Kit - Backup Switch - 292 S/T or O/D..... 18.88



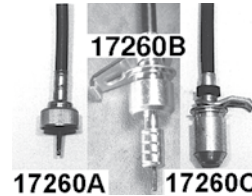
- 15A801 Light Assy. Fordomatic Shifter Dial..... 27.89
- 52718S Screw - Auto Trans Indicator Retainer (not chrome) ..40
- 15805 Fordomatic Shifter Dial..... 10.90
- 15839 Bracket - To Hold F/M Neutral Switch ..... 22.85
- 15840 Light Shield - Fordomatic Shifter Lens..... 19.96



**CLUTCH PARTS**

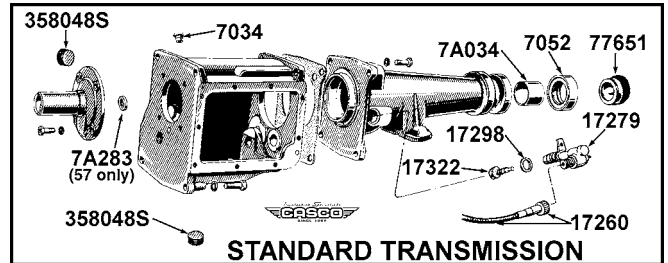
## SHOP TIP

- ☐ For T-Bird automatic transmissions and power steering we use Dexron III
- ☐ Currently available oils need a ZDDP additive. We recommend part# Z4 found on page 17.
- ☐ Our shop uses 10w40 oil. On newly rebuilt engines use 30 weight oil until broken in.



**Speedometer cable grommets 01694 & 01695 located on page 36 For new seal see 17298 below**

- 17260A Speedometer Cable & Housing - 55/56 ..... 27.65
- 17260B Speedometer Cable & Housing - 57 With Fordomatic or Standard Transmission ..... 81.00
- 17260C Speedometer Cable & Housing - 57 With Overdrive..... 58.48



**STANDARD TRANSMISSION**

- 17279 Angle Drive - Speedometer Cable - 55/56 ..... 292.00
- All 55/56 Originally used an Angle Drive
- 17292 Retainer Clip for 17322A & C Speedo Gears..... 3.30
  - 17298 Oil Seal Speedometer Gear Bearing..... 1.45



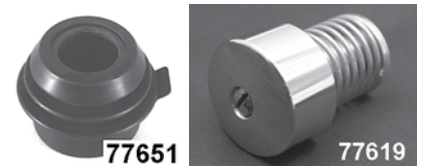
17322A,C used on 57 with Standard or Auto Trans Use with 17260B Cable - 17292 Clip not Included

- 17322A Gear - Speedo Driven - 18 Teeth - Nylon..... 23.97
- 17322C Gear - Speedo Driven - 19 Teeth - Nylon..... 24.50

17322D,E,F,G used on all 55/56 and 57 with OD Trans Use with 17260C Cable or 17260A and Angle Drive

- 17322D Gear - Speedo Driven - 20 Teeth - Nylon..... 27.15
- 17322E Gear - Speedo Driven - 21 Teeth - Nylon..... 25.35
- 17322F Gear - Speedo Driven - 22 Teeth - Nylon..... 27.65
- 17322G Gear - Speedo Driven - 19 Teeth - Nylon..... 24.80

BOOT IS SUPPLIED WITH FIBER "WASHER" EXACTLY LIKE THE ORIGINAL



- 77619 Button Assy - F/M Shifter - Complete - Polished Stainless Button & Stainless Set Screw..... 20.90
- 77619A Spring - Inside F/M Shifter Button..... 1.50
- 77635 Spring - F/M Shift Lever Button..... 1.25
- 77651 Boot - Rubber - Transmission Output..... 18.39

### ADDITIONAL HARDWARE KITS

- 141 Fordomatic Brake Pedal to Pedal Arm - 2 pcs ..... 1.95
- 504 Fordomatic Pan to Case - 28 pcs..... 11.80
- 510 F/M Shift & Kickdown Rods to Trans - 6 pcs..... 6.50
- 515 Fordomatic Shifter to Neutral Switch - 5 pcs..... 1.60



# TECHNICAL INFORMATION & LITERATURE

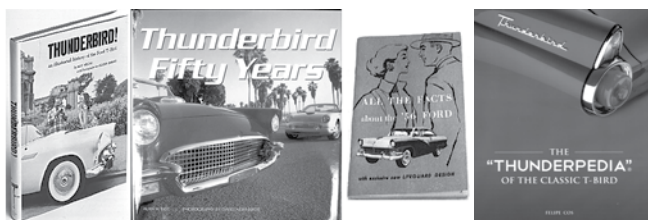


OWNERS MANUAL REPRINTS - (64 pgs) Order by year.  
**OM55,OM56** .....14.95      **OM57** ..... 17.95



MOTOROLA RADIO SERVICE MANUALS for original T-Bird radios. Order by year. **RSM55** (6 pgs).....3.05  
**RSM56** (12 pgs).....3.05      **RSM57** (17 pgs).....4.40

TECHNICAL INDEX - All technical items in the EARLY BIRD from '63 - '72 cataloged by subject for quick reference (14 Pgs)  
**INDEX** ..... 1.05



**THUNDERBIRD!** by Ray Miller - An excellent 304 page hard bound book with over 1000 detailed photographs. Many in full color. Covers 1955 - 1966 by year with particular emphasis on '55, '56, & '57 Models.  
**TBIRD** ..... 52.75

**THUNDERBIRD FIFTY YEARS** - by Alan Tast, published 2004. History of the Thunderbird from inception through rebirth. Very nice photographs. (192 pgs)  
**TBIRD-50YEARS** ..... 34.95

**ALL THE FACTS BOOK** - Top quality reprint of the FoMoCo publication "All the Facts about the 1956 Ford". This book is 99 pages packed with information about the 1956 Fords and Thunderbirds.  
**FACTS56** ..... 15.30

**NEW T-BIRD BOOK!**

**"THUNDERPEDIA" OF THE CLASSIC T-BIRD** by Felipe Cos of the Classic Thunderbird Club of South Florida. This book features over 300 common questions about the T-bird with a thousand color photos in 130 pages. Published in 2012. .... 42.00



**SALES BROCHURES** - Full color reprints of dealer brochures for '55, '56, & '57 T-Birds.  
**SALESB55** ... 11.85; **SALESB56** ... 11.85  
**SALESB57** ... 8.00      **SALESB57DLX** (16 Pages) ... 26.60

**WIRING DIAGRAMS** - Schematic diagram of entire electrical system on one large sheet. Sold by year. 57 specify for dial - a - matic (DM)  
**WS55 WS56 WS57** ..... 11.95  
**WS57DM** ..... 12.00

1955 - 1957 THUNDERBIRD PARTS ILLUSTRATED - A 128 page bound book with a complete set of full size exploded parts diagrams - All parts shown with Ford basic numbers. **EPD** ..... 15.30

**CASCO LOYALTY REWARDS PROGRAM**

Check the bottom of your invoice for your current loyalty points total. When you reach 500 points, you can redeem those points for \$10 off your order. More info on our rewards program in the back of our catalog.



'55 DISTRIBUTOR MANUAL - Also useful for 1956  
**DM55** (31Pages) ..... 20.45  
'55 CARB. SERVICE MANUAL **CM55** (31 Pages) ..... 23.00  
'55 FORDOMATIC SHOP MANUAL **FMM55** (64 Pages) ..... 19.65  
'56 CARB. SERVICE SUPPLEMENT **CM56** (16 Pgs) ..... 21.90  
(Use With 55 Carb. Manual)  
'56/57 FORDOMATIC SHOP MANUAL **FMM567** (64 Pgs) ..... 21.65  
'57 CARB. SERVICE MANUAL **CM57** (35 Pages) ..... 23.00  
'57 SUPERCHARGER MANUAL **SCM57** (24 Pages) ..... 16.00

**ELECTRICAL MANUAL** - Schematic and installation diagrams. A MUST for detailed restoration. Different books for each year.  
**EM55** ..... 32.50  
**EM56** ..... 32.50  
**EM57** ..... 32.50

**SOFT TRIM & SEALER MANUAL** - Detailed drawing show how to install trim, sealers, & weatherstripping. Also A MUST for detailed restoration.  
**STM556** - For 1955 & 56 ..... 55.66  
**STM57** - For 1957 ..... 49.95

**PRODUCT SERVICE LETTERS** - This 157 page book contains all information from the Product Service Letters sent to dealers pertaining to the 55-57 T-Birds - much technical how - to information.  
**PSL** ..... 27.55

**SPECIFICATION MANUALS** - Books have dimensioned drawings - weights, capacities and other details useful to the serious restorer. One book covers 55 & 56 - the other 57.  
**SPEC556** (36 pgs), **SPEC57** (43 pgs) ..... 28.50



**SHOP MANUALS** - Quality reprints of the original shop manuals covers T-Bird and passenger cars. Order by year.  
**SM55** (341 pgs), **SM56** (367 pgs), **SM57** (496 pgs) ..... 38.00



**NEW Lower Pricing!**  
**PDF format for easy searching!**

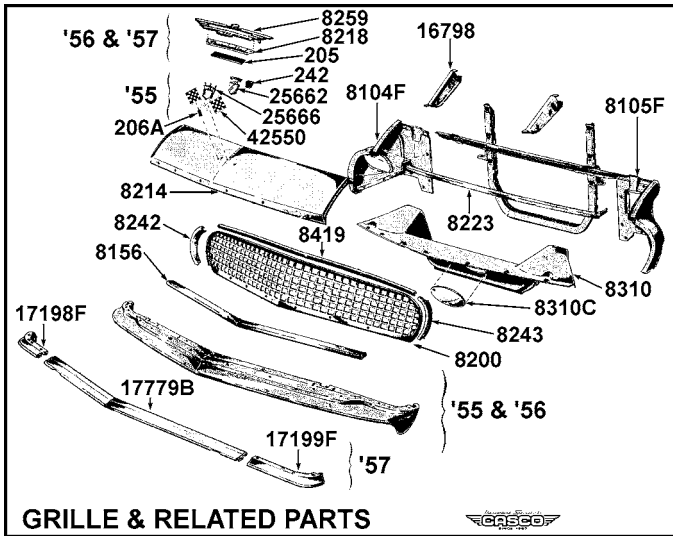
**SHOP MANUALS on USB.** Order by year.  
**SM55-USB, SM56-USB, SM57-USB** ..... 21.95

**CONCOURS RULEBOOK** - The Classic Thunderbird Club International rule book. This book contains the rules that are used at sanctioned CTCI concours as well as copies of the actual judging sheets.  
**RULES** ..... 5.85

**AUTHENTICITY MANUAL** - The 1994 Classic Thunderbird Club International Authenticity Manual is a loose leaf manual with hundreds of full color photos and descriptions which answer your questions regarding what is correct, what color, etc. This manual represents the authenticity results of years of study by CTCI officials. Addendums were subsequently written to add to the information (see below).  
**AUTH** ..... 55.00

**ADDENDUMS TO AUTHENTICITY MANUAL** - Addendums to the above manual have been published by CTCI featuring more full color photographs and detailed descriptions. Number is year published.  
**AUTH95, AUTH96, AUTH99, AUTH01, AUTH03, AUTH05, AUTH07, AUTH09, AUTH11, AUTH13** (sold each) ..... 21.50

# COOLING & BODY FRONT

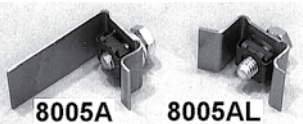


- 8148 Panel - Fan Shroud - Lower ..... 80.35
- 8148XC Panel - Fan Shroud - Lower - Extra cooling  
with corners to cover fins - plastic ..... 130.00
- 8149 Bracket - Fan Shroud Support ..... 10.99
- 8156 Moulding - Radiator Grille - 55/56 - Lower ..... 99.00
- 8200A Grille - 55/56 ..... 319.95
- 8200B Grille - 57 ..... 319.95
- 200A HWK - Grille to Body and Lower Moulding - Lower Moulding  
to Front Deflector, Front Deflector to Rear Deflector,  
Side Deflectors & Fenders, with Instructions -55/56 ... 11.90
- 200B HWK - As above for 57 - with Instructions - 101 pcs ..... 16.45
- 200C HWK - Grille at Top to Body (Included in 200A&B) 6 pc ..... 2.10
- 8214RP Upper Grille Panel - Steel ..... 515.00
- \*8218 Nameplate - Upper Panel - 56/57 ..... 21.35
- 8223 Panel - Upper Grille Reinforcement - Steel ..... 135.00
- 8242A Grille Moulding - RH - 55/56 ..... 58.95
- 8242B Grille Moulding - RH - 57 ..... 58.95
- 8243A Grille Moulding - LH - 55/56 ..... 58.95
- 8243B Grille Moulding - LH - 57 ..... 58.95
- 201 HWK - Side Grille Mouldings to Body - 10 pcs ..... 2.80
- 8255 Gasket Water Outlet Connector to intake man ..... 1.60

## GRILLE & RELATED PARTS



Bracket solders  
to the bottom of  
the radiator



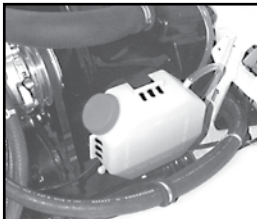
- 8005A Bracket w/ Nut & Bolt - on lower radiator  
to Attach Fan Shroud Support Bracket (8149) ..... 6.25
- 8005AL Bracket - Similar to 8005A - Used Late 57 ..... 6.25
- 8005B Overflow Tube - Radiator ..... 22.95
- 8005BSS Overflow Tube - Radiator - Stainless ..... 35.95
- 359279S Fitting - Trans line to Radiator ..... 4.52

**NOTE: All radiators are ready for transmission cooling lines.**

- 8005J Radiator - Aluminum super duty  
\*\*Provides 25 - 30% more cooling capacity  
over copper brass units. Drain cock &  
bracket already installed. .... 419.00
- 359279SA Fitting - Trans line to Aluminum Radiator ..... 4.12

## RADIATOR COOLANT OVERFLOW TANK

Designed by CASCO specifically for your Early Bird. Adds almost 2 extra quarts of coolant to your cooling system and helps remove dissolved gases. Easy installation even on cars equipped with air conditioning. Coolant level can be checked hot just like your late model car. Installation: loosen two existing bolts, slide tank into place, tighten bolts, hook up flexible tubing, and fill with coolant. Kit comes with tank, CNC machined TBird specific powder coated bracket, tubing, and instructions. Kit is designed for vehicles with overflow tube on RH (passenger side) and original style fan shroud.



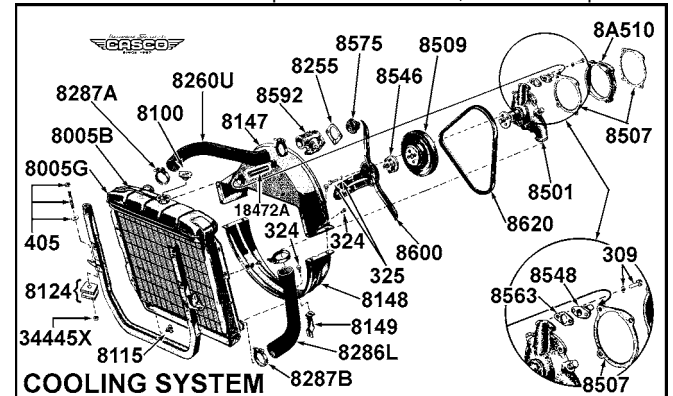
- 8005RK Overflow tank kit ..... 39.50

- 8100 Radiator Cap - Replacement 13 lb ..... 9.99
- 8100A Radiator Cap - Reproduction of Original 13 lb ..... 31.95
- 8100B Radiator Cap - 7 lb ..... 10.90
- 8104F Deflector - RH Side - Fiberglass ..... 130.77
- 8104RP Repair panel - Radiator deflector RH ..... 379.50
- 8105F Deflector - LH Side - Fiberglass ..... 130.77
- 8105RP Repair panel - Radiator deflector LH ..... 377.00
- 8115 Drain Cock ..... 3.48
- 8115A Drain Cock - Angled Replacement ..... 12.95
- 8124 Pad - Radiator Support - Pkg - 2 Pieces ..... 6.69
- 8147 Panel - Fan Shroud - Upper ..... 111.84



- 8147A Seal - Fan Shroud to Radiator ..... 3.65

- \*8259 Ornament - Upper Panel - 56/57 ..... 35.99
- \*205 HWK - 8259 Nameplate to Front Panel, With Pad - 3 pcs 1.24



## COOLING SYSTEM

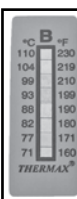


- 8260U Radiator Hose - Upper - Moulded - Like  
Original - With FoMoCo Oval Stamp ..... 26.95

**RADIATOR HOSES & CLAMPS KIT**  
YOU SAVE \$1.00

Hose & Clamp Kit Includes 4 reproduction clamps & Upper & Lower Hoses w/ FoMoCo stamp

- 8286BK Radiator hose & clamp kit ..... 65.10



**TEMPERATURE INDICATOR** Do you wonder "How hot is my car actually getting"? This inexpensive but accurate (+/- 1%) gauge with adhesive backing will indicate the temperature reached by your cooling system. Two types are available: TRUTEMP indicates maximum temperature ever reached (non - reversable) & TRUTEMP2 indicates current temperature.

- TRUTEMP Maximum Temperature Indicator ..... 5.25
- TRUTEMP2 Current Temperature Indicator ..... 5.50

8286L	Radiator Hose - Lower - Moulded - Like Original - With FoMoCo Oval Stamp.....	22.25
8287A	Clamp - Radiator Hose - Upper -Reproduction .....	4.20
8287B	Clamp - Radiator Hose - Lower -Reproduction .....	4.25
8287AR	Clamp - Radiator Hose - Upper -Replacement .....	1.59
8310C	Access Hole Cover - Lower Radiator Air Deflector - Steel .....	5.70
200D	HWK -Access Hole Cover (8310C) to Deflector - 3 pcs (Included in 200A&B) .....	1.10
8419A	Moulding - Grille - Upper - 55/56 .....	59.95
202A	HWK -Upper Grille Moulding to Body - 55/56 - 18 pcs.....	6.65
8419B	Moulding - Grille - Upper - 57 .....	119.15
202B	HWK -Upper Grille Moulding to Body - 57 - 18 pcs.....	7.31
8501	Water Pump - New No Pulley - With Gaskets .....	99.98

### HIGH OUTPUT WATER PUMP

CASCO's high output water pump is now in its third generation. This pump is designed to increase water flow especially at low rpm - just when you need it. Like in a parade or in stop and go traffic. There are four vanes on the back side of the impeller which keep the water swirling in the space between the impeller and the timing chain cover - only found on TBird engines.



One piece cast impeller

We also suggest that a thermostat with a larger opening be used with this pump for even more water flow. This thermostat is available as part number 8575C.

The complete article detailing our 2005 modified pump tests can be found on the CASCO web site at ClassicTBird.com

8501HO	TBird water pump for higher flow at low RPM - with gaskets.....	157.00
--------	---	--------

While supplies last, we can modify your original working pump with our 2nd generation all stainless steel three vane modification. Gaskets not included. Not a pump rebuild service.

8501HOY	Service - Modify Your Pump.....	60.00
---------	---------------------------------	-------

8507	Gasket - Water Pump.....	1.92
8509B	Pulley for water pump - replacement .....	139.49
8509S	Pulley - Water Pump - 1" smaller than original.....	134.23
8A510	Spacer - Water Pump.....	52.95
8546	Spacer - Pulley to Fan - 1.18" Thick.....	16.95
8548	Tube - Water By Pass - Front.....	9.31
8563	Gasket - Water By Pass Tube.....	2.00
8575A	Thermostat - Water - 160 Degrees.....	11.25
8575B	Thermostat - Water - 180 degrees .....	14.98
8575C	Thermostat - Water - Large Opening - 170 degrees - 8575C comes with gasket.....	19.60
8592	Thermostat Housing.....	51.95
309	HWK -Water Outlet Connector (8592) and By - Pass Tube (8548) to Manifold and Water Pump - 8 pcs.....	2.31



8600A	Six Blade Fan and Thermal Clutch for use with air conditioning or where extra fan capacity is needed. Not included in air conditioning kit.....	187.00
8600B	Fan - 6 Blade Without Thermal Clutch .....	71.92
8600C-6V	Electric Fan - 6 volt .....	286.95
8600C-12V	Electric Fan - Mounts in front of the radiator. High Output 16" S - blade Fan. Kit includes adjustable thermostat, original style wiring harness, switch & installation instructions - 12 volt.....	275.95
8600D	Bracket Kit - Allows use of our electric fan kits with air conditioning .....	6.25
8601	Reinforcement Plate - 3 Blade Fan - 55/56.....	21.90
8620A	Belt - Concour - Fan - 55/56 with 3 Blade Fan.....	19.95

### SHROUDED ELECTRIC PULLING FAN KIT

For a truly custom looking engine compartment, use this fan kit to eliminate your original water pump fan and original fan shroud. All the air passing through this fan is going through the radiator. This fan kit also provides greater engine compartment circulation even when the vehicle is stopped and idling. Many hours were spent to ensure that this kit is easy to install and that it will perform well in the Classic Thunderbird.



This kit is designed for use with any of the radiators sold on page 28. Like our other electric fan kit, this kit also includes adjustable thermostat, wiring harness, under dash toggle switch and illustrated instructions.

The shroud is supplied with a black texture powder coated finish.

8600C-S	Electric pulling fan, 1810 cfm .....	321.95
---------	--------------------------------------	--------

8620AC	Belt for Air Conditioner .....	25.57
8620B	Belt - Concour - Fan - 56/57 with 4 Blade Fan.....	19.95
8620BL	Belt - Concour - Fan - Late 57 w/o Notches - with 4 Blade Fan.....	19.95
8620C	Belt - Concour - Power Steering 55 & Early 56.....	19.95
8620D	Belt - Concour - Power Steering - 56 & 57 .....	19.95
8620DL	Belt - Concour - Power Steering - Late 57 w/o Notches .....	19.95
8620SP	Belt for Small Water Pump Pulley .....	30.75

17198F	Deflector End - Front RH - 57 - Fiberglass.....	85.00
17199F	Deflector End - Front LH - 57 - Fiberglass .....	85.00
17779B	Deflector - Front Bumper Stone - 57 Ctr .....	N/A

18472A	Water Pump By Pass Hose - Rubber.....	60
18572A	Clamp - Heater & Bypass hose.....	45
25662	Medallion - Nose Panel - 55 .....	20.90
25666	Retainer for 25662 - Chrome .....	21.98
242	HWK -Crest Medallion (25666) - With Pad - 3 pcs. One Kit Needed for Each Medallion .....	1.25
42550	Insignia - Crossed Flags - 55 .....	12.90
206A	HWK -Crossed Flags to Nose & Gas Lid - 55 - 4 pcs .....	1.55

### ADDITIONAL HARDWARE KITS FOR THIS AREA

324A	Upper Fan Shroud to Radiator - 56/57 - 8 pcs .....	6.35
324B	Upper Fan Shroud to Lower and Lower to Bracket - 56/57 - 10 pcs .....	6.35
324C	Radiator to Radiator Frame - 56/57 - 4 pcs.....	5.77
324D	Radiator Frame to Body - 18 pcs .....	2.25
324E	Upper Fan Shroud to Lower - 55 - 25 pcs.....	3.05
324F	Radiator to Radiator Frame - 55 - 12 pcs.....	2.25
324G	Upper Fan Shroud to Radiator - 55 - 20 pcs .....	3.05
324H	Lower Fan Shroud Bracket to Shroud & Radiator Bracket - 55 - 7 pcs.....	2.15
324I	Lower Fan Shroud Bracket to Shroud & Radiator Bracket - 56/57 - 5 pcs.....	2.77
325	Fan to Water Pump - 8 pcs .....	4.45
326A	Water Pump to Engine W/O Powr Strng - 8 pcs .....	3.35
326B	Water Pump to Engine With Powr Steering - 8 pc .....	3.35
405	Radiator Support Bracket to Frame - 6 pcs.....	10.95

### TECH TIP

□ After passing the hood release cable wire through the retaining clamp make it more secure by giving the wire a bend of about 45°.



# PAINT & ADHESIVES

PAINT CANNOT BE SHIPPED BY AIR

19000A	Paint - Argent (Silver) For Use On Engine Parts - 12 oz Spray Can.....	27.95
19000B	Paint - Ford Red/Orange - The Correct Shade For Your Engine - 12 oz Spray Can .....	14.75
19000C	Paint - Semigloss Black - for engine compartment items - 12 oz Spray Can.....	18.10
19000CG	Paint - HiGloss Epoxy Black - for engine compartment items.....	7.90
19000E	Paint - Light Green Acrylic Enamel for Repainting Center of Aluminum Rocker Arm Covers - Small Bottle .....	2.85
19000F	Paint - Red Acrylic Enamel for 56/57 Front Emblems, 57 Trunk Handle, Aluminum Rocker Arm Covers, Etc. - Small Bottle.....	2.85
19000G	Paint - Red/Orange for Instrument Needles - Small Bottle.....	2.85
19000H	Paint - Dark Green for Clips and Fasteners - 3.5 oz Spray Can .....	6.75
19000I	Paint - Dark Green - Small Bottle.....	5.35
19000J	Paint - Copper Color - 3.5 oz Spray Can .....	5.54
19000K	Paint - Copper Color - Small Bottle.....	1.70
19000L	Paint - Brass Color - Small Bottle.....	3.25
19000M	Paint - Grey Color for Steering Column Clamp - Spray Can.....	7.90
19000N	Paint - High Temperature (1200 degrees) Clear Coating - 13 oz Spray Can .....	24.98
19000NW	Paint - Clear Satin - Water Proof - Use on "Natural" Finish Items to Prevent Rust.....	14.27
19000P	Paint - 1200 F - Exhaust Manifolds - Medium Grey Color - Excellent Product - 12 oz Spray Can - 1 Can Will Do Both.....	13.90
19000S	Paint - Seat frame & power seat bar - Pint Can .....	44.00
19000TA	Paint - Tan for Swing Arm - Pint Can.....	32.95
19000TB	Paint - Texture for lower dash - Black.....	46.30
19000TW	Paint - Texture for lower dash - White.....	46.15
19000W	Paint - Wrinkle Finish Black for Heater Box - 12 oz Spray Can.....	9.95

## TOUCH - UP PAINT

12 oz. spray cans of DuPont acrylic enamel body paint. This paint is heavy like normal body paint. Not guaranteed to be a 100% match and is not to be used as a standard for the original color.

19001-567A	Body Paint - Black 55/56/57 .....	39.95
19001-5E	Body Paint - Snowshoe White 55.....	39.95
19001-5R	Body Paint - Torch Red 55 .....	39.95
19001-5T	Body Paint - Tbird Blue 55 .....	39.95
19001-5V	Body Paint - Goldenrod Yellow 55.....	39.95
19001-67E	Body Paint - Colonial White 56/57 .....	39.95
19001-6J	Body Paint - Buckskin Tan 56 .....	39.95
19001-6K	Body Paint - Fiesta Red 56 .....	39.95
19001-6L	Body Paint - Peacock Blue 56.....	39.95
19001-6M	Body Paint - Goldenglow 56.....	39.95
19001-6T	Body Paint - Tbird Gray 56.....	39.95
19001-6X	Body Paint - Navajo Gray 56.....	39.95
19001-6Y	Body Paint - Sunset Coral 56.....	39.95
19001-6Z	Body Paint - Tbird Green 56.....	39.95
19001-7F	Body Paint - Starmist Blue 57 .....	39.95
19001-7J	Body Paint - Willow Green 57 .....	39.95
19001-7N	Body Paint - Gunmetal Gray 57 .....	39.95
19001-7Q	Body Paint - Bronze 57 .....	39.95
19001-7V	Body Paint - Flame Red 57 .....	39.95
19001-7X	Body Paint - Dusk Rose 57 .....	39.95
19001-7Y	Body Paint - Inca Gold 57 .....	39.95
19001-7Z	Body Paint - Coral Sand 57.....	39.95

## ADHESIVES

19552A	Contact Adhesive - Yellow - For Weatherstrips .....	11.60
19552B	Contact Adhesive - Black - For Weatherstrips.....	16.25
19552C	Spray Adhesive - Contact Cement by 3M - 18 oz. Spray Can .....	41.95
19552D	Sprayable Adhesive - Contact Cement - Used By Our Shop for Upholstery - 1 Quart Can .....	24.00
19552G	Strip caulk - 3M - black.....	44.00

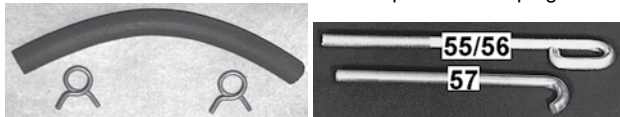
# FUEL SYSTEM

## FUEL TANK KIT - FTK

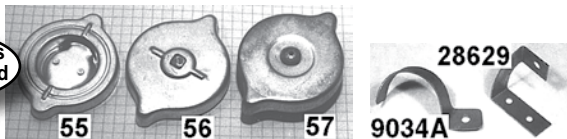
Complete fuel tank kit includes fuel tank, straps, pads, bolts, cap, & gasket as needed for the year of your car

FTK 1955 ...	372.90
FTK 1956 ...	391.20
FTK 1957 ...	445.60

7A185A	Bellcrank on Manifold - F/M - 55 .....	140.00
7A185AS	Bellcrank on Manifold - ST - 55.....	120.00
7A652	Switch - Overdrive Kickdown .....	45.45
9002-55	Fuel Tank - 55 - Repro.w/ incorrect ribs includes drain plug .....	279.00
9002-56	Fuel Tank - 56 - Excellent Repro - w/drain plug ..	299.00
9002-57	Fuel Tank - 57 - Excellent Repro - w/drain plug ..	369.00



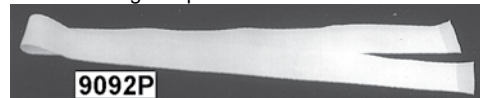
9002V	Fuel Tank Vent Hose and Clamps - 57.....	2.50
9A010A	Bolt - Fuel Tank Strap - 55/56 - Plated.....	5.75
9A010	Bolt - Fuel Tank Strap - 57 - Plated.....	5.75
431	Fuel Tank Straps to Retaining Bolts - 4 pcs .....	2.09



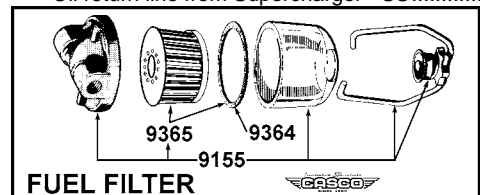
All CASCO gas caps are vented

9030A	Gas Cap - Like Original - 55.....	26.84
9030B	Gas Cap - Like Original - 56 and Early 57 .....	25.50
9030C	Gas Cap - Like Original - 57.....	24.40
9034A	Strap - Solders to Gas Filler Neck - 57 .....	12.90
9034B	Gas Filler Neck - 57 .....	249.00
9A068	Pad - rubber, between gas tank & trunk Qty used/car is 55/56 - 12; 57 - 6.....	1.76
9080	Grommet - Gas Filler Neck Tube - 55/56 .....	7.30

9092A	Retaining Strap - Fuel Tank - 55/56 .....	13.30
9092B	Retaining Strap - Fuel Tank - 57 .....	13.30



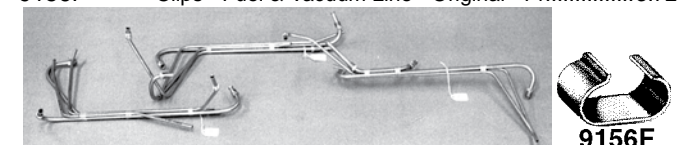
9092P	Pads - Between Tank & Retaining Straps - Pr .....	6.07
9104	Oil return line from Supercharger - SS.....	39.95



9155	Fuel Filter Assembly - replacement.....	32.00
9155AC	Fuel Filter Assembly - Domed with "AC" .....	66.00

## FORMED FUEL LINES

9156A	Fuel Line - Front Half on Frame - 55/57 .....	38.95
9156ASS	Same As Above - Stainless Steel Line .....	61.95
9156B	Fuel Line - Rear Half on Frame - 55 .....	38.95
9156BSS	Same As Above - Stainless Steel Line .....	61.95
9156C	Fuel Line - Rear Half on Frame - 56 .....	38.95
9156CSS	Same As Above - Stainless Steel Line .....	61.95
9156D	Fuel Line - Rear Half on Frame - 57 .....	38.95
9156DSS	Same As Above - Stainless Steel Line.....	61.95
9156F	Clips - Fuel & Vacuum Line - Original - Pr.....	3.72



9160A	Fuel & Vacuum Lines - 4 Pcs - Set - 55 .....	43.95
9160ASS	Same As Above - Stainless Steel Line .....	65.95

9160B	Fuel & Vacuum Lines - 4 Pcs - Set - 56 .....	43.95
9160BSS	Same As Above - Stainless Steel Line .....	65.95
9160C	Fuel & Vacuum Lines - 4 Pcs - Set - 57 .....	43.95
9160CSS	Same As Above - Stainless Steel Line .....	65.95
9160D	Fuel & Vacuum Lines - Dual 4 - 57 - 6 Pcs .....	72.95
9160DSS	Same As Above - Stainless Steel Line .....	85.95
9160E	Fuel Vacuum & Oil Lines - Supercharged .....	73.95
9160ESS	Same As Above - Stainless Steel Line .....	112.95
9160F	Fuel Line - Fuel Pump to Filter - S Shape .....	14.95
9160FSS	Same As Above - Stainless Steel Line .....	21.95
9160G	Fuel Line - Fuel Filter to Carburetor - 55 .....	16.95
9160GSS	Same As Above - Stainless Steel Line .....	23.95
9160H	Fuel Line - Fuel Filter to Carburetor - 56 .....	14.95
9160HSS	Same As Above - Stainless Steel Line .....	22.95
9160I	Fuel Line - Fuel Filter to Carburetor - 57 .....	13.95
9160ISS	Same As Above - Stainless Steel Line .....	16.95
9180	Bracket Assembly - Fuel Filter - Includes 9B281 & correct screw and washer assembly .....	6.80
9B281	Clip Only - For 9180 Fuel Filter Brkt .....	2.63
9229	Gasket - Carb Fuel Inlet - Nylon .....	.79

9275A	Fuel Sending Unit - Replmt w/ gasket - 6V - 55 ....	61.95
***Use the 9275A on any '55 (6 or 12v) with the original dash gauge		
9275B	Fuel Sending Unit - Replmt - w/ gasket 12V 56 ....	62.95
430	HWK Fuel Sending Unit to Tank - 55/56 - 6 pcs .....	1.78



9275C	Fuel Sending Unit - 57 .....	79.63
9275F	Float - Fuel Sending Unit - Brass - 55/56 .....	14.35
9275H	Float - Fuel Sending Unit - Brass - 57 .....	5.63
9276	Gasket - Fuel Fuel Sending Unit - 55/56 .....	2.00
9276B	Gasket - Fuel Sending Unit - 57 .....	1.58
9277	Retaining Ring - 57 Fuel Sending Unit .....	11.65

**Gauge & sender  
combo  
used on 1956 or  
'55 12v only**



9280B	Fuel gauge & sending unit set - replacement - 56 Sending unit is resistive type and dash gage uses dual coil ventur. Connection to the accessory terminal is required. Kit includes sender, gage, wiring, and instructions. Dash gage looks original. Can be used on 1955's converted to 12 volt .....	149.95
9280C	Fuel dash gage only 57 .....	119.50

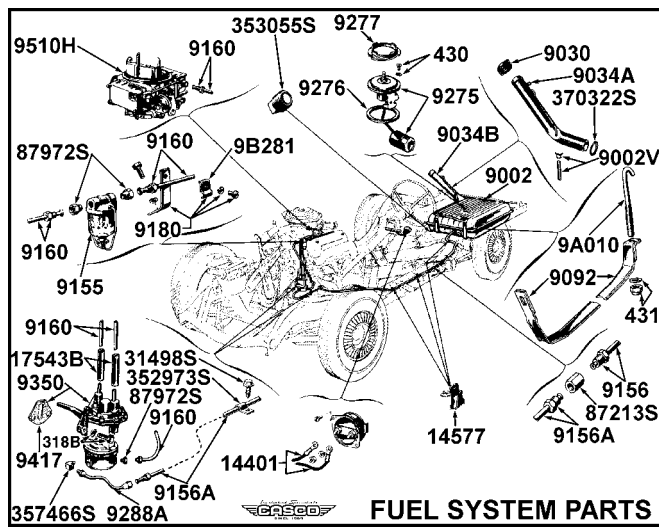
**NEW**  
**NEW**

9288B	Flex Fuel Line 15.5" F-code Supercharged NOS .....	40.00
9288C	Flexible Fuel Line - cloth covered MADE IN USA .....	39.25
<b>REBUILT FUEL PUMPS:</b> These pumps are only USA, CANADA, or MEXICO manufactured pumps. A good core typically has Fillister head (slotted) screws or hex head screws. CORE CHARGES APPLY		
9350R	Rebuilt Fuel Pump (\$50 CORE CHG) .....	212.00
9350RAC	Rebuilt "AC" Fuel Pump (\$75 CORE CHG) .....	239.00
318B	Fuel Pump to Timing Cover - 4 pcs .....	1.93
318C	Fuel Pump Diaphragms - Screws & LW - 36 pcs .....	3.83



9417	Electric Fuel Pump - Includes Bracket, Switch, Wiring and Instructions 12 Volt .....	148.00
9350E6	Elec Fuel Pump As Above 6 Volt .....	155.00
9350E-MST	Electric Fuel Pump Bracket - Std Transmission ....	15.95
9350BP	Convert Mechanical Pump to Free-Flow Added Safety When Using Electric Fuel Pump .....	29.95
9364	Gasket - Fuel Filter Bowl - Comes W/9365 .....	2.98
9365	Strainer - Fuel Filter - Paper Type - W/ Gasket .....	9.20
9365E	Strainer - Fuel Filter - Dual 4 - Trash Can .....	9.60
9417	Gasket - Fuel Pump to Timing Cover .....	1.97

**NEW**



**NEW**

**9350RPK REPLACEMENT ELECTRIC FUEL PUMP KIT**  
This kit replaces the original mechanical fuel pump. It installs in the same location as the original fuel pump. Includes fuel pump, safety switch, block off plate, wiring harness, hard fuel line, gasket, directions. Fuel pump is 12 volt negative ground, 42 GPH, and 2 - 3.5 psi pressure and has an integral check valve to reduce the chance of back siphon. (If you have vacuum wipers and you rely on the mechanical fuel pump for vacuum, this kit may not be for you as it requires removing the original mechanical fuel pump) 12v .....



9447A	Gasket - Carburetor to Manifold - 55/56 .....	3.98
9447B	Gasket - Carburetor to Spacer and Manifold - 57 - 2 bbl .....	3.95
9447C	Gasket - Carb to spacer & manifold - 57 4 bbl .....	2.40
9492	Choke Deflector - 57 - NOS .....	9.85

**★ T-BIRD FACT**

'55 Uses a stack of 5 gaskets.  
'56 uses 1 gasket & no spacer.  
'57 uses 2 gaskets & a spacer

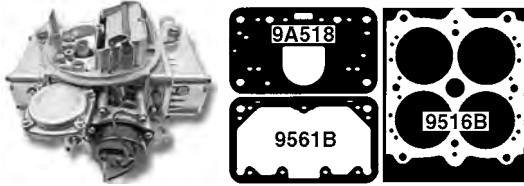


9503A	Secondary Throttle Diaphragm - 55/56 - Not in 9510B Carb Kit .....	30.90
9503B	Secondary Throttle Diaphragm - 57 - Not in 9510D Carb Kit .....	15.95



9510B	Carburetor Tune Up Kit - 55/56 w/ acc pump cup .....	109.95
9510D	Carburetor Tune Up Kit - 57 - 4 bbl .....	103.50
9510E	Carburetor tune up kit for 9510H replacement carburetor sold below .....	59.75

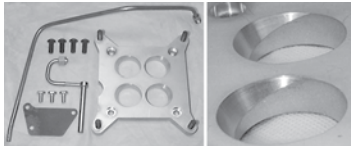
**Where to find LIST # on your carburetor**  
55/56 - On the bottom casting at the rear of the carburetor  
57 - Remove air cleaner. List # is on the front of the top casting. The number follows the word LIST.



9510EC	Carburetor - NEW - Holly 4 bbl replacement with electric choke. Requires 9520 line when used with original style air cleaner - Fits 57 Intake manifold .....	925.00
--------	--	--------

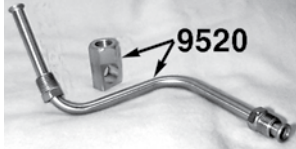


# FUEL SYSTEM

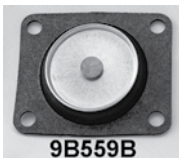


'55 and '56 original vacuum advance will not work with 9510H carburetor. See replacement distributors for use with adapter plate.

- 9A589HA Adapter Kit - 9510H to '55 Intake - Includes Choke Tube and Vacuum Line to Fuel Pump ..... 84.95
- 9A589HB Adapter as above - 9510H to '56 Intake ..... 79.95
- 9516B Gasket - Throttle Body - 4 bbl - 57 ..... 13.60
- 9A518 Gasket - Carb Metering Block - 57 ..... 3.90
- 9518AB Bushing Set Only - 5 pcs - 55/56 Carb ..... 20.95



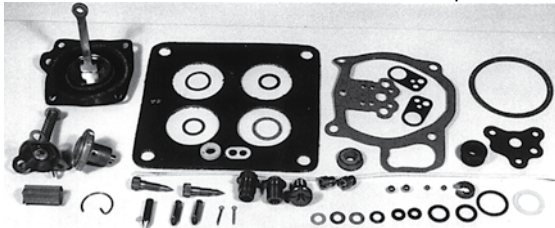
- 9520 Custom Fuel Line With Fitting - Provides Clearance Between 9510H and '57 Air Cleaner ..... 25.95
- 9520SS Same As 9520 But With Stainless Line ..... 29.95
- 9A520A Adapter Carb Fuel Inlet - W/9229 Gasket ..... 18.30
- 9A520B Bolt - 9520 to Replacement Carb ..... 41.75
- 9B544 Accl pump piston w/ viton cup seal 55 ..... 29.95
- 9B544A Accl pump piston w/ viton cup seal 56 ..... 22.95



- 9B549 Dashpot ..... 55.95
- 9B550A Bracket - Dashpot - 55/56 ..... 19.85
- 9B550B Bracket - Dashpot - 57 ..... 18.85
- 319D Dashpot bracket 9B550 to Carb - 2 pcs ..... 1.85
- 9550H Float - for 9510H replacement carb only ..... N/A
- 9B559B Diaphragm - Accelerator Pump - 57 ..... 5.00
- 9561B Gasket - Carb Fuel Bowl - 57 ..... 3.99
- 9A565B Economizer Valve - 57 Primary ..... 14.15



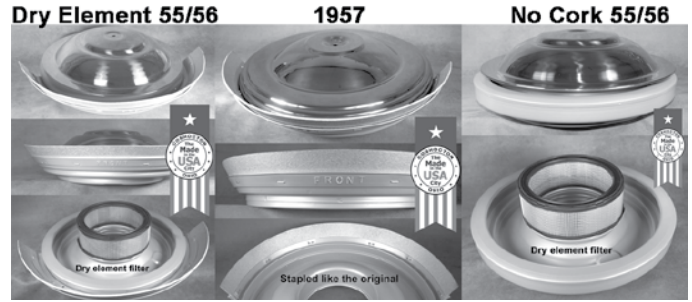
- 9581AK Throttle Rod Kit - Primary - 55/56 ..... 78.75
- 9586A Screw Kit Only - Throttle Plates - 55/56 ..... 7.89
- 9A589B Spacer - Carb to Intake - 57 - Replacement ..... 42.05
- 9A589E Carb spacer 57 Dual 4 BBL (One/Carb) ..... 18.99
- 319A Carb to Intake - Nuts & Washers - 55/56 - 8 pcs ..... 1.75



- COMPLETE CARB REBUILD KITS available for original T-Bird carbs
- 9590AA Early 55 - List #'s 957, 991, 997, 998 ..... 159.50
  - 9590A Late 55 - List 1074, 1075, 1077, 1078 ..... 158.00
  - 9590B All 56's - List 1161, 1162, 1163, 1164 ..... 143.00
  - 9590B2A For 56 w/List 1161 - 2A, 1162 - 2A, 1163 - 2A, 1164 - 2A w/ press - in needle seat ..... 159.95
  - 9590C 57 2bbl - List #'s 1281, 1282, 1486 ..... 74.49
  - 9590D 57 4bbl - List #'s 1272, 1273 ..... 129.00
  - 9590DA 57 4bbl Repl - List # 1273 - 2 ..... 128.75
  - 9590E 57 Dual 4bbl - List 1434 & 1437 - Both ..... 279.50
  - 9590F 57 Supercharged - List #'s 1536, 1599 ..... 148.35

- 9A599 Rod - Thermostatic Choke - 55 ..... 13.60

# AIR CLEANERS

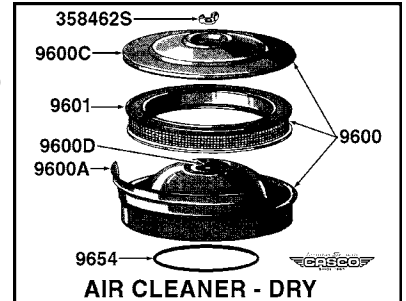


AIR CLEANER KITS DO NOT COME WITH WINGNUT

## "DRY" AIR CLEANER

### Features:

- \*POLISHED STAINLESS LID
- \*MADE IN USA by CASCO
- \*POWDER COATED BASE ASSEMBLY
- \*AIR CLEANER ELEMENT
- \*AIR CLNR TO CARB SEAL
- \*CORK INSTALLED WITH POWER STAPLER AS ORIGINAL

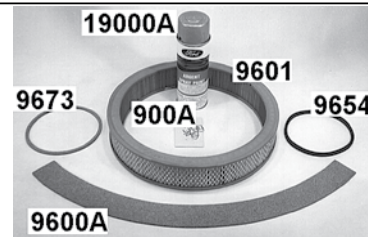


- 9600-55 Air Cleaner - NEW CASCO Assembly - looks like original but is "DRY ELEMENT" style for low maintenance-cork installed - 55 ..... 450.00
- 9600-56 Air Cleaner - NEW CASCO Assembly - looks like original but is "DRY ELEMENT" style for low maintenance-cork installed - Fits 56 choke ..... 450.00
- 9600-57 Air Cleaner - Reproduction of the original with polished stainless steel lid, durable powder coated base assembly, & cork installed with power stapler as original. Made in the USA by CASCO - 57 ..... 435.00

Want a custom look? CASCO now offers complete air cleaner assemblies as above without the cork or cork retainer.

- 9600-55XC No Cork 55 Air Cleaner Assembly ..... 450.00
- 9600-56XC No Cork 56 Air Cleaner Assembly ..... 450.00
- 9600-57XC No Cork 57 Air Cleaner Assembly ..... 435.00

- 9600-OIL Air Cleaner - Original OIL BATH style - 55/56 ..... 459.00



## AIR CLEANER REFURBISHING KITS

YOU SAVE \$1.00

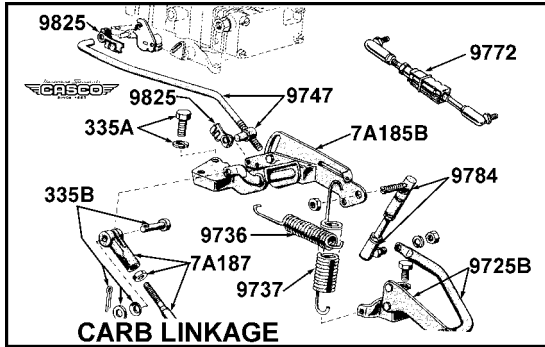
Everything You Need to Refurbish Your Original Air Cleaner: New Seal 9600A, 900A Staples, Gaskets 9654 & 9673 as Required, new Decal, 19000A Argent Paint, & For '57, a 9601 Element.

- 9600RAK Air Cleaner Refurbish Kit - Oil Bath - 55/56 ..... 27.47
- 9600RBK Air Cleaner Refurbish Kit - Original 57 Dry Type - Includes 9601 ..... 38.83

- 9600A Seal - Air Cleaner To Hood - Cork - Die Cut ..... 5.50
- 900 Staples - Like Original for Seals - Pkg 50 ..... 11.00
- 900A Staples - as 900 but Pkg 12 Only ..... 3.00
- 9600B Air Clnr Cover - Polished Stnls - 55/56 ..... 180.00



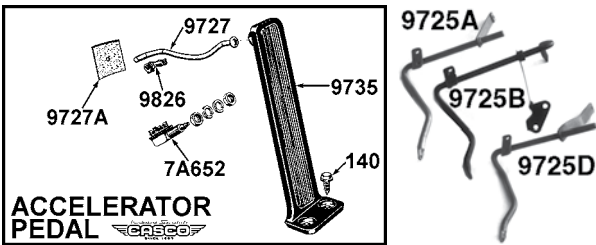
- 9600C Air Cleaner Cover - Polished Stnls - 57 .....170.00
- 9601 Air Cleaner Element - Dry - Used on 57 only.  
Not for dual 4 or supercharged engines.....12.25
- 9601A Air Cleaner Element - Dry - Use with  
Replacement 55/56 Air Cleaners Only ..... 11.89
- 9616-7 Vent Tubes Carburetor - 55 pair .....20.85
- 9616B Vent Tubes Carburetor - 56 pair .....19.95
- 9654A Seal - Air Cleaner to Carburetor - 55/56.....2.65
- 9654B Seal - Air Cleaner to Carburetor - 57 .....3.10



**CARB LINKAGE**



- 9600D Stud - Carburetor to Air Cleaner - 57 .....1.30
- 9A659A Stud Assy. - Carb. to Air Cleaner - 55.....10.45
- 9A659B Stud Assy. - Carb. to Air Cleaner - 56 & dual 4 ....11.49
- 9673 Gasket - Inside Air Cleaner - 55/56.....3.54

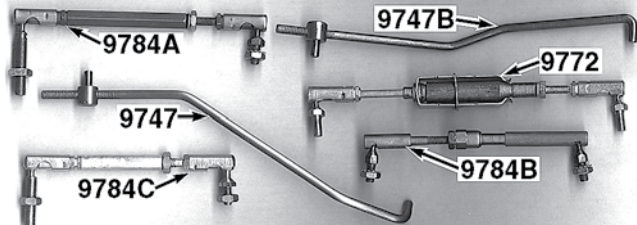


**ACCELERATOR PEDAL**

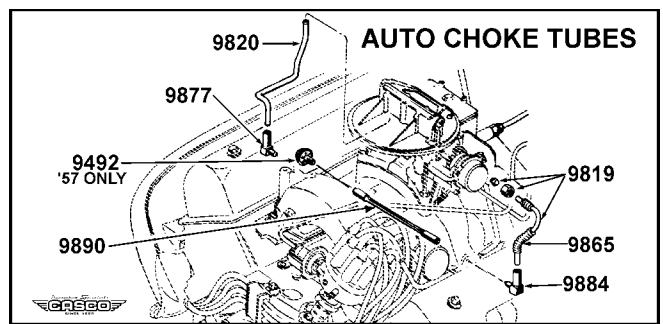
- 9725A Accel. Bellcrank Assy - 55 &56 Standard.....49.95
- 9725B Accel. Bellcrank Assy With Fordomatic - 56/57...140.00
- 9725D Accel. Bellcrank Assy With Standard Trans 57 ....49.95
- 9727 Rod Accelerator Pedal .....7.35
- 9727A Seal - Accelerator Pedal Rod to Firewall.....2.14
- 9735 Pedal - Accelerator.....14.85
- 140 Accel.Pedal to Floor & Bracket to Firewall 4 pcs.....2.05
- 335A Accelerator Bellcrank to Intake Manifold - 4 pcs.....1.25
- 335B HWK F/M Kickdown to Bellcrank - 57 - 4 pcs.....1.79



- 9736 Throttle Spring - F/M Kickdown - 56/57.....5.90
- 9737A Throttle Return Spring - 55/56.....4.56
- 9737B Throttle Return Spring - 57 F/M only.....6.74

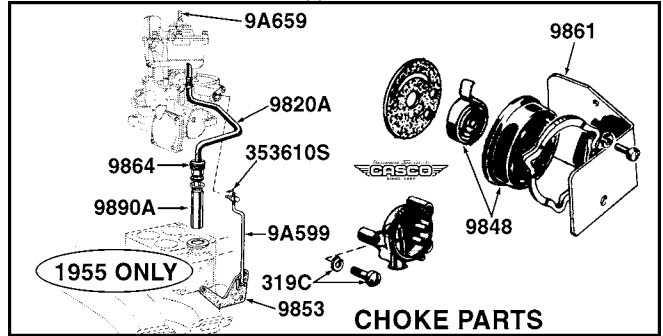


- 9747B Rod - Carb to Bellcrank - 56.....10.40
- 9747 Rod - Transmission Kickdown to Carburetor - 57 - Fordomatic.....10.40
- 9747Y Yoke only - Carb linkage - carb to 56 bellcrank or 57 FM kickdown .....7.76
- 9772 Rod Assy - Acceleratr Bellcrank to Carb - 55 .....126.00
- 9784A Link - Btwn Dash & Engine Bellcranks 55 F/M.....86.75
- 9784B Link - Between Dash & Engine Bellcranks - 56.....47.50
- 9784C Link - Between Dash & Engine Bellcranks - Automatic Transmission - 57.....82.70
- 9819A Tube Automatic Choke With Nut & Ferrule - 56 .....7.95
- 9819ASS Same As Above - Stainless Steel Tube.....8.95
- 9819B Tube - Automatic Choke With Nut and Ferrule - 57 - 4 bbl Carburetor .....7.95
- 9819BSS Same As Above - Stainless Steel Tube.....9.95



**AUTO CHOKE TUBES**

- 9819E Tubes - Automatic Choke - Dual 4 - Pair - 57.....12.95
- 9819ESS Same As Above - Stainless Steel Tube.....16.95
- 9820A Tube Automatic Choke - 55.....16.95
- 9820ASS Same As Above - Stainless Steel Tube.....21.95
- 9820B Tube Automatic Choke - 56.....32.95
- 9820BSS Same As Above - Stainless Steel Tube.....36.95
- 9820E Tubes - Automatic Choke - Dual 4 - Pair - 57.....56.95
- 9820ESS Same As Above - Stainless Steel Tube.....68.95
- 9820F Tube - Automatic Choke F Bird - 57 .....29.95
- 9820FSS Same As Above - Stainless Steel Tube.....34.95
- 9825 Clip - Rod End - RH .....35
- 9826 Clip - Rod End - LH .....35
- 9830 Accl Bellcrank Support - All 55 and 56/57 Std.....65.00



**CHOKE PARTS**

- 9848A Cover & Spring - Auto Choke - 55/56.....33.25
- 9848 Cover & Spring - Auto Choke - 57 .....29.15
- 9849C Choke Assy - Electric - W/ Housing - 57 .....99.00



- 9853 Gasket - Choke Housing to Manifold - 55 .....1.85
- 319C HWK Choke Assy to Intake Manifold - 55 - 6 pcs.....3.55
- 9861 Shield - Automatic Choke - Supercharger .....10.82
- 9864 Nut - Special - In Manifold for Choke Tube - 55 ....12.55
- 9865A Insulator - Automatic Choke Tube - 56.....4.50
- 9865B Insulator - Automatic Choke Tube - 57 - 4 bbl.....4.00
- 9865C Insulator - Automatic Choke Tube - 57 - 2 bbl Carburetor & Dual 4 bbl .....4.00
- 9877 Elbow - Choke Tube - 56.....11.85
- 9884 Elbow - Choke Control Tube Out - 56/57 .....11.25
- 9890 Heat Tube - Thermostatic Choke Ctrl - 7.62" long Stnls Steel - Replacement - 56/57 .....19.95
- 9890A Heat Tube - SS choke control in intake - '55 .....24.95
- 9890E Heat Tubes for 57 E w/dual 4's - pair .....39.95

9890 Removal tool TL4 - See page 57

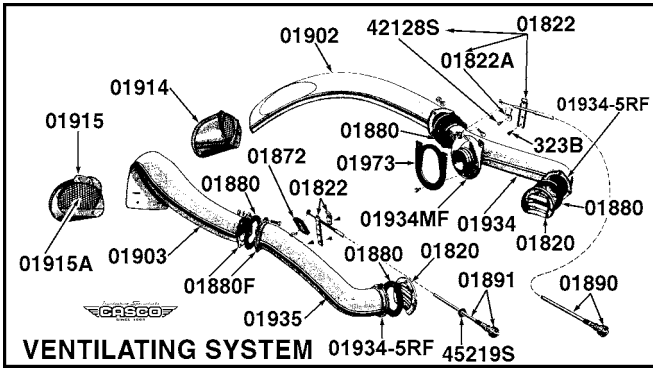


- 9937 Spring - Fuel Filter Screen in Carb.....75
- 9938A Screen - Fuel Filter in Carb - 55/56.....5.50
- 9944A Plug & Seal for carb. needle and seat 55/56.....14.69
- 14A240A Braided Insulator - goes over fuel lines 3/8" ID.....1.25/ft
- 14577 Clip - Fuel Line to Frame - Like Original Original Green Color - 4 Used per Car.....5.25



- 28629 Bracket - Fuel inlet tube to rear quarter - 57 .....10.45
- 251C HWK Bracket to Filler Tube & Rear 1/4 - 57 - 5 pcs.....1.50

# VENTILATION SYSTEMS



**VENTILATING SYSTEM 01934-5RF 45219S**

- 01820 Air Deflector Scoop - Air Vent - As Orig..... 23.99
- NOTE: 01820 IS AS ORIGINAL (not louvered grille shown)
- 01822 Bracket - Air Control Wire with Plated  
01822A Clip and Screw..... 7.85
- 323B HWK -Air Control Brackets (01822) to Apron - 4 pc..... 1.25
- 01822A Clip Only - Air Control Bracket - Plated..... 3.12



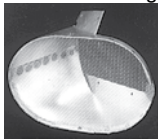
- 01862 Air Duct Flapper Valve - W/O 01863 Rod..... 29.20
- 01863 Rod - Air Duct Flapper Valve..... 15.80
- 01872 Seal - Vent Air Duct to Apron at Shaft..... 1.55
- 01880 Gasket - Vent Air Duct..... 1.95



- 01880A Air Duct Gasket Set - Includes 4 - 01880  
1 - 01872, 1 - 01973..... 7.50
- 01880F Repair flange for center of air duct..... 19.48



- 01890 RH Vent Control Cable & Knob - Complete -  
Used Only On T-Birds With No Heater..... 41.95
- 01891 LH Vent Control Cable & Knob - Complete..... 41.95
- 01891A Vent Cable Rebuild Service - Send us your knob,  
housing & at least 4" of your vent cable and we  
will rebuild it with new cable, jacket, and  
protective cover..... 22.00
- 01891B Rebuild Service - As above with new cable and  
jacket with cover and a new knob..... 27.00
- 01902 Air Duct - RH - Front - Fiberglass..... 197.00
- 01903 Air Duct - LH - Front - Fiberglass..... 204.00

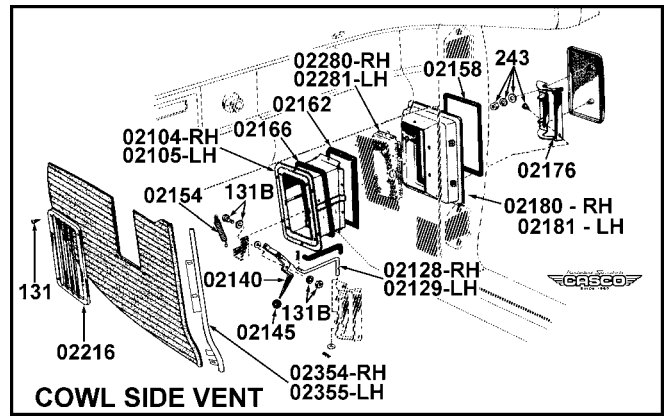


- 01914 Scoop - Air Duct - RH - Steel - With Screen..... 87.75
- 01915 Scoop - Air Duct - LH - Steel - With Screen..... 89.25
- 131A HWK -Air Deflector Scoops to Body - 6 pcs..... 1.55
- 01915A Air Scoop Screen Only..... 5.90
- 01934 Air Duct - RH - Rear - With Flapper Valve -  
Fiberglass..... 252.00
- 01934MF Mounting flange - RH duct to apron..... 30.00
- 01934-5RF Repair flange for rear of air duct..... 19.48

**AIR DUCT KIT  
YOU SAVE \$23.00**

- 01934-5K Air Duct Set - Includes 01902; 01903; 01934;  
01935 (has flapper & rod) and 01880A Gaskets,  
Ducts are a Fiberglass Reproduction..... 912.50

- 354 HWK -Fiberglass Air Ducts to Scoops, Aprons - 110pc. 19.20

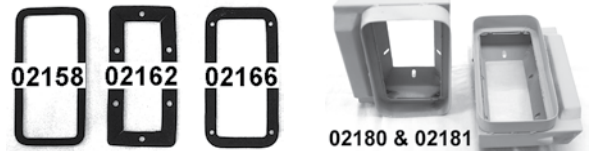


**COWL SIDE VENT**

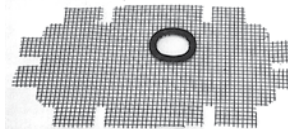
- 01935 Air Duct - LH - Rear - With Flapper Valve -  
Fiberglass..... 252.00
- 01935B Bracket - LH rear duct to apron..... 19.48
- 01973 Seal - Vent Air Duct to Apron..... 2.67
- 02104 Vent Box - Intermediate - Steel - 56/57 - RH..... 125.00
- 02105 Vent Box - Intermediate - Steel - 56/57 - LH..... 125.00



- 02128 Rod - Side Vent Control - 56/57 - RH..... 7.00
- 02129 Rod - Side Vent Control - 56/57 - LH..... 7.00
- 02140 Arm - Side Vent Door Actuating - RH..... 14.00
- 02141 Arm - Side Vent Door Actuating - LH..... 14.00
- 131B HWK -Side Vent Arm to Duct - 2 Used/Car - 4 pcs..... 10.00
- 02145A Knob - Side Vent Control - Chrome Plated  
Without Cross Recess Drive '56..... 8.50
- 02145B Knob - Side Vent Door Control Lever -  
With Cross Recess Drive '57..... 6.22
- 02154 Spring - Side Vent Control - 56/57..... 9.60



- 02158 Seal - Side Vent Door - 56/57 - Original  
Moulded Rubber..... 9.79
- #02158A Seal - Side Vent Door - 56/57 - Die Cut  
Adhesive Back..... 3.72
- 02162 Seal - Cowl Side Vent - Inside Frame - 56/57..... 2.43
- 02164 Clip Vent Control Rod to Hinge RH 57 - Rplmt..... 1.05
- 02165 Clip Side Vent Control Rod to Hinge -  
LH - 57 - Replacement..... 1.05
- 02166 Seal - Cowl Side Vent Panel..... 2.54
- 02176 Hinge - Side Vent Door - 56/57..... 25.75
- 243 HWK -Cowl Side Vent Door (Outside) To Hinge  
and Hinge to Fender - 12 pcs..... 1.98
- 02180 Frame assembly for the cowl vent with drip  
hole and adjustable nut plate RH..... 199.95
- 02181 Frame assy - cowl side vent LH..... 199.95
- 02216 Grille - Cowl Side Vent - Chrome..... 31.39
- 131 HWK -Vent Grilles Inside to Body - 8 pcs..... 1.61



**MANUFACTURED WITH  
THE CORRECT OBLONG  
WASHER**

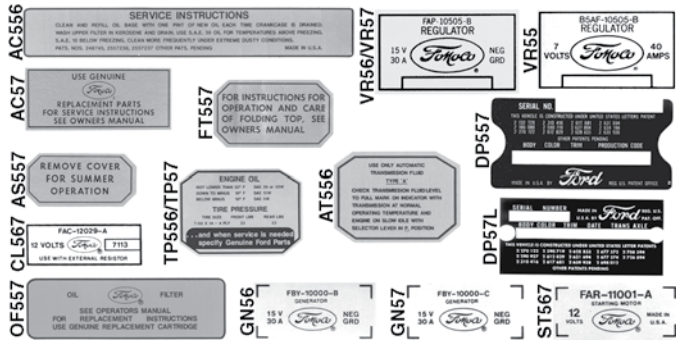
- 02280 Screen - Cowl Side Vent - RH - 56/57..... 6.25
- 02281 Screen - Cowl Side Vent - LH - 56/57..... 6.25

**ADDITIONAL HARDWARE KITS**

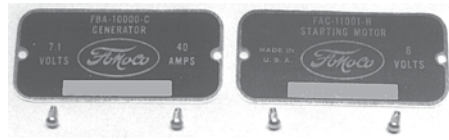
- 352 Side Vent Spacer Duct to Aprons & Fenders - 36 pcs..... 4.00
- 353 Steel Air Ducts to Scoops and Aprons - 63 pc..... 8.85
- 354 Fiberglass Air Ducts to Scoops & Aprons - 110 pcs..... 19.20
- 900 Staples - Like Original for Seals & W/strip - Pkg 50..... 13.00
- 900A Staples - as 900 but Pkg 12 Only..... 3.00



# DECALS



- VR57 Voltage Reg Cover Decal - 57 - Yellow ..... 1.25
- V1 Decal Set for Steel Rocker Arm Covers - 292 Engine ..... 11.50
- V2 Decal Set for Steel Rocker Arm Covers - 312 Engine ..... 11.92



- SP1 Starter Identification Plate for 1955 With Attaching Parts ..... 4.15
- GP1 Generator Identification Plate for 1955 With Attaching Parts ..... 4.15

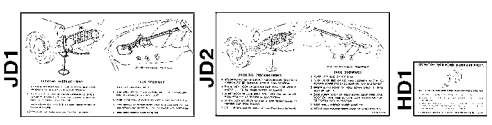


- JS-1 & 2 Jewel Set - Red Plastic Inserts for Oil and Generator Lights and Green Plastic Inserts for Turn Signal Indicators - With Installation Instructions - 4 Pieces Per Set
- JS1 55/56 ..... 5.80
- JS2 57 ..... 8.40
- 800 HWK -Data Plate to Firewall - 2 pcs ..... 6.00

CDS-55	Complete Decal Set - 55 - Includes 1 Each JD1;HD1;TP556;AS557;FT557;AT557;AC556;OF557;DP557;VR55;SP1;GP1; - 12 Pcs ..... 24.00
CDS-56E	Complete Decal Set - Early 56 ..... 25.60
CDS-56L	Complete Decal Set - Late 56 - Includes decals: JD1;HD1;TP556;AS557;FT557;AT556;AC556;OF557;LD1;DP557;VR567;CL567;ST567;GN56;DL56 - 15 Pcs ..... 23.00
CDS-57	Complete Decal Set - 57 - Includes 1 Each JD2;HD1;TP57;AC57;AS557;FT557;AT556;LD1;DP557;DP57L;OF557;VR57;CL567;ST567;GN57 - 14 Pcs ..... 24.00

IDS	Inspection Decal Set with Position and Application Instructions (State Year)..(IDS55 IDS56 IDS57) ..... 11.15
-----	---

- AC556 Air Cleaner Decal - Oil Bath Type - 55/56 ..... 2.10
- AC57 Air Cleaner Decal - 57 ..... 1.25
- AS557 Air Scoop Winter Plate Decal ..... 1.15
- AT556 Automatic Transmission Decal ..... 1.15
- CL567 Coil Decal - 56/57 ..... 2.69
- DL56 Door Latch Decal - On Body - 56 ..... 3.10
- DP557 Data Plate Decal - 55/56 - Early - 57 - 3 3/4" x 1 7/8 ..... 1.50
- DP57L Data Plate Decal - Late 57 - 3 3/8" x 1 5/8 ..... 1.50
- DS55 Drive Shaft Decals - vinyl transfer - 1" high yellow stencil numbers - 55 ..... 9.95
- DS56FS Drive Shaft Decals - 56 w/ F/M or S/T ..... 9.95
- DS56OD Drive Shaft Decals - 56 w/ O/D ..... 9.95
- DS57FS Drive Shaft Decals - 57 w/ F/M or S/T ..... 9.95
- DS57OD Drive Shaft Decals - 57 w/ O/D ..... 9.95
- FT557 Folding Top Information Decal ..... 1.45
- GN56 Generator Decal - 56 ..... 2.19
- GN57 Generator Decal - 57 ..... 1.25



- HD1 Heater Decal Sheet - Correct Type ..... 3.00
- JD1 Jacking Instruction Sheet - 55/56 ..... 1.35
- JD2 Jacking Instruction Sheet - 57 ..... 1.35



- LD1 Lifeguard Design Decal - On Door - 56/57 ..... 2.35
- OF557 Oil Filter Can (Not Spin On) Decal ..... 1.30
- ST567 Starter Decal - 56/57 ..... 1.25
- TP556 Tire Pressure Decal - 55/56 ..... 1.15
- TP57 Tire Pressure Decal - 57 ..... 1.20
- VR55 Voltage Regulator Cover Decal - 55 ..... 1.25
- VR567 Voltage Regulator Cover Decal - 56/57 ..... 1.25

**★ T-BIRD FACT**

□ Classic T-Bird Production:

1955	16,155
1956	15,631
1957	21,380
<b>Total</b>	<b>53,166</b>

## AIR CONDITIONING

**DRIVE IN COMFORT**



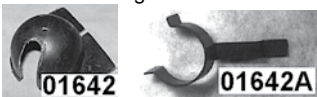
**NOW AVAILABLE FOR USE WITH R-12 OR R-134A REFRIGERANT!**  
 This complete air conditioning system is specifically designed for 55-57 T-Birds with 12 volt systems. Kit has a small cylindrical compressor with specially designed combination compressor/generator bracket which results in a very uncluttered installation. Dash unit measures 16"L x 3.5"H. Detailed instructions included. Please specify R-12 or R-134A unit. **REFRIGERANT NOT INCLUDED**

- AC Air conditioner ..... 1298.00
- \*\*Actual shipping charge on air conditioners. Call for shipping quote\*\*
- 8600D Bracket Kit. Allows use of our electric fan kits with air conditioning ..... 6.25
- 8620AC Belt for air conditioner ..... 25.57

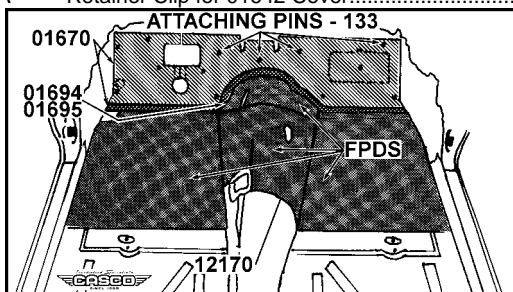


# COCKPIT AREA & GLASS

- 3683A Insulator - Steering Column to Dash - Black.....4.25
- 3683B Insulator - Steering Column to Dash - White.....6.90



- 01642 Cover - Hand Brake Opening Lower LH  
Corner of Firewall Pad .....41.95
- 01642A Retainer Clip for 01642 Cover.....5.25



- 01670 Firewall Cover with Pad & Rubber Trim .....78.95
- 133 HWK -Firewall Cover to Firewall - 12 Original Pins.....38.00
- 133X HWK -Firewall Cover to Firewall - 12 Plastic Pins.....6.95
- FPDS Floor Pan Deadener Set w/ instructions.....54.95



- 01672 Firewall Grommet Set - RH Vent Cable, Main  
Wire Loom, Washer Hose, Vacuum Hose,  
Tach Cable, and Hood Rel Cable - 6 Pcs.....16.95



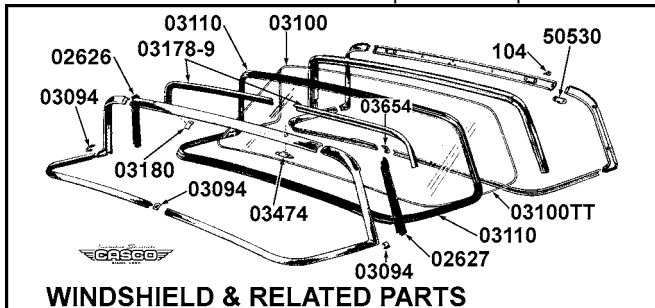
- 01694 Grommet - Speedometer Cable - With S/T .....6.25
- 01695 Grommet - Speedometer Cable - With F/M .....1.90
- 01890 RH Vent Control Cable & Knob - Complete -  
Used Only On T-Birds With No Heater.....41.95
- 01891 LH Vent Control Cable & Knob - Complete .....41.95



- 02354-5K Retainers - Kick Panel - pair RH & LH .....105.00
- 02354 Retainer - Kick Panel - RH.....65.00
- 02355 Retainer - Kick Panel - LH.....65.00
- 139 HWK - Kick Panel Retainers .....1.15



- 02626 Weatherstrip - Front Body Pillar - Upper - RH .....27.95
- 02627 Weatherstrip - Front Body Pillar - Upper - LH .....27.95
- 106 HWK- Windshield Pillar Weatherstrips to Pillar 8 pcs.....1.75



## WINDSHIELD & RELATED PARTS

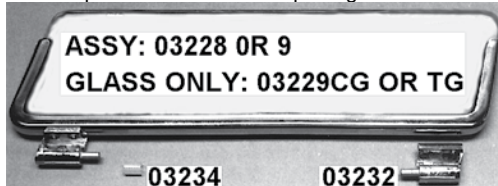
- +103 HWK -Windshield Garnish Mouldings Inside to  
Windshield Frame (includes 103A kit) - 29 pcs .....5.50
- 104 HWK -Front Latch Hook Plates to Windshield  
Header - (Included in 103 kit) 8 pcs .....1.79
- 105 HWK -Outside Side Windshield Mouldings  
(03136 - 7) to Windshield Frame - 10 pcs.....2.09

- 107 HWK -Windshield Header Dowel Strikers to  
Header 8 pcs.....1.00
- 03094A Clip - Windshield Trim - 55 .....6.25
- 03094B Clip - Windshield Trim - 56/57 .....6.25
- 03110 Weatherstrip for windshield .....82.00

- 03100C Windshield - Clear - *Shipped freight collect*.....520.95
- 03100T Windshield - Tinted - *Shipped freight collect* .....534.95



- 03138 Retainer Clip - Inside Lower Outside Windshield  
Trim. Connects vertical to horizontal.....4.25
- 03178-9 Retainers - Windshield Header Trim - Pair.....20.75
- 03180 Clip - windshield outer top mldg retainer-need 7.....3.49



*Note: Windwing assembly comes with upper hinge & glass installed. Does not include lower hinge, bushing, or screws (220)*

- 03228C Wing Assy. - Clear Glass - W/FoMoCo - RH.....114.00
- 03229C Wing Assy. - Clear Glass - W/FoMoCo - LH.....114.00
- 03228T Wing Assy. - Tinted Glass - W/FoMoCo - RH.....114.00
- 03229T Wing Assy. - Tinted Glass - W/FoMoCo - LH .....114.00
- 03229A Retainer Strip for 03229 glass. Coat with oil, install  
glass & trim excess. Enough for 1 glass .....1.00
- 03229CG Glass - Windwing - Clear W/FoMoCo Mark .....22.00
- 03229TG Glass - Windwing - Tinted W/FoMoCo Mark .....22.00
- 03230 Hinge Upper - Windwing RH 56/57 W/Rivets.....19.75
- 03231 Hinge Upper - Windwing LH 56/57 W/Rivets .....19.75

*Note: Upper windwing hinge rivets are difficult to install without special equipment. We can install upper hinges on your frame. Costs are \$12 per assembly for labor, plus cost of glass, retainer strip, hinge, bushing & screws. Labor to only replace glass (not hinge) is \$5.00 per side.*

- 03230A Rivets Only - for Upper Windwing Hinge - Pkg 2  
Rivets - Supplied with 03230 & 03231 .....2.00
- 03232 Hinge - Windwing - Lower - RH.....19.75
- 03233 Hinge - Windwing - Lower - LH .....19.75
- 220 HWK - Lower Windwing Hinges to Frames 8 pcs .....1.53
- 03234 Bushing - Windwing Hinge - Price is Each.....2.50
- 03234A Set of Screws for Windwing Tension  
Adjustment - Pkg. 4.....2.25
- 03474 Front top dowel striker.....24.98
- 03654 Cover - Inside Lower Windshield Molding  
At Center - Chrome .....16.50

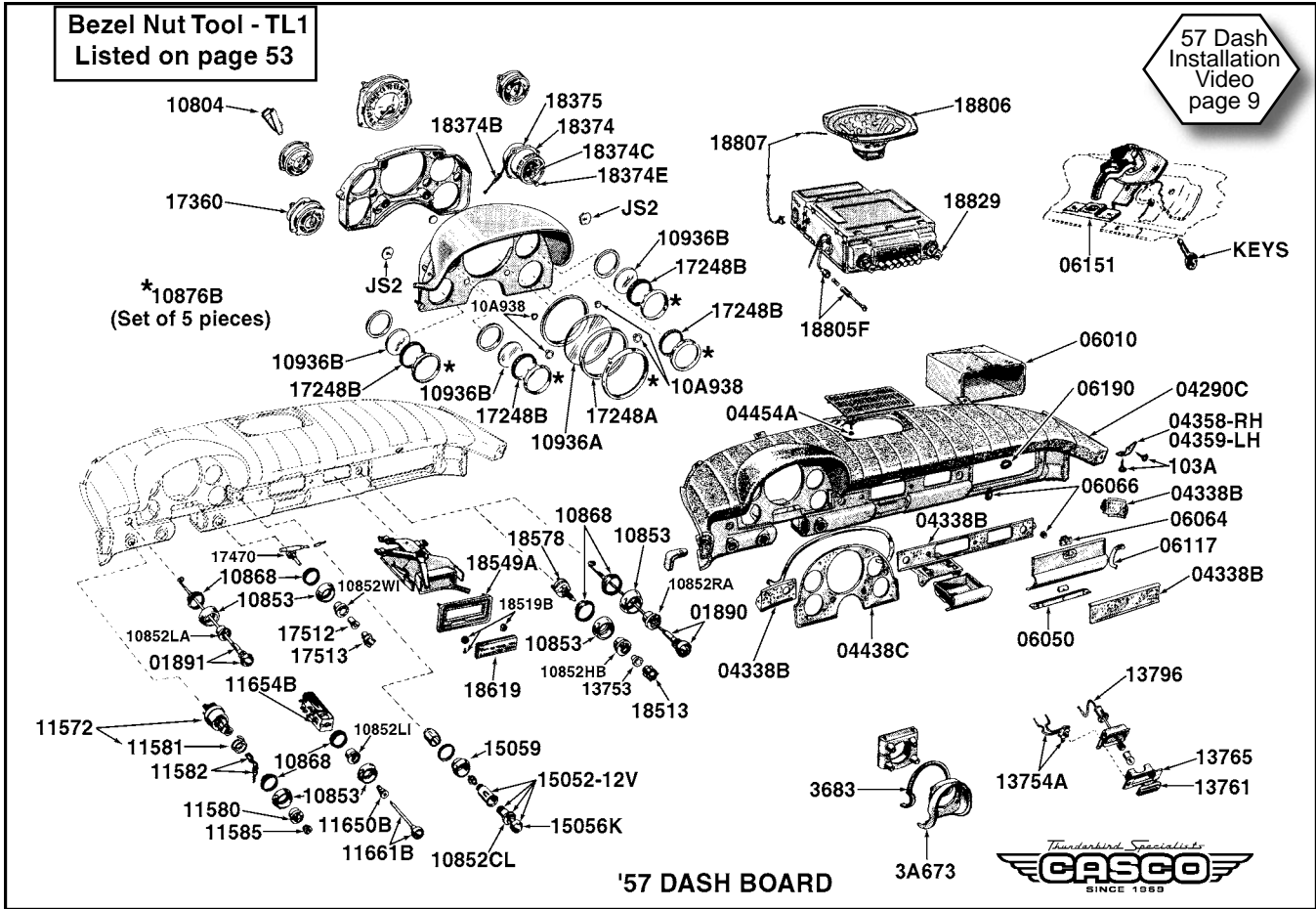
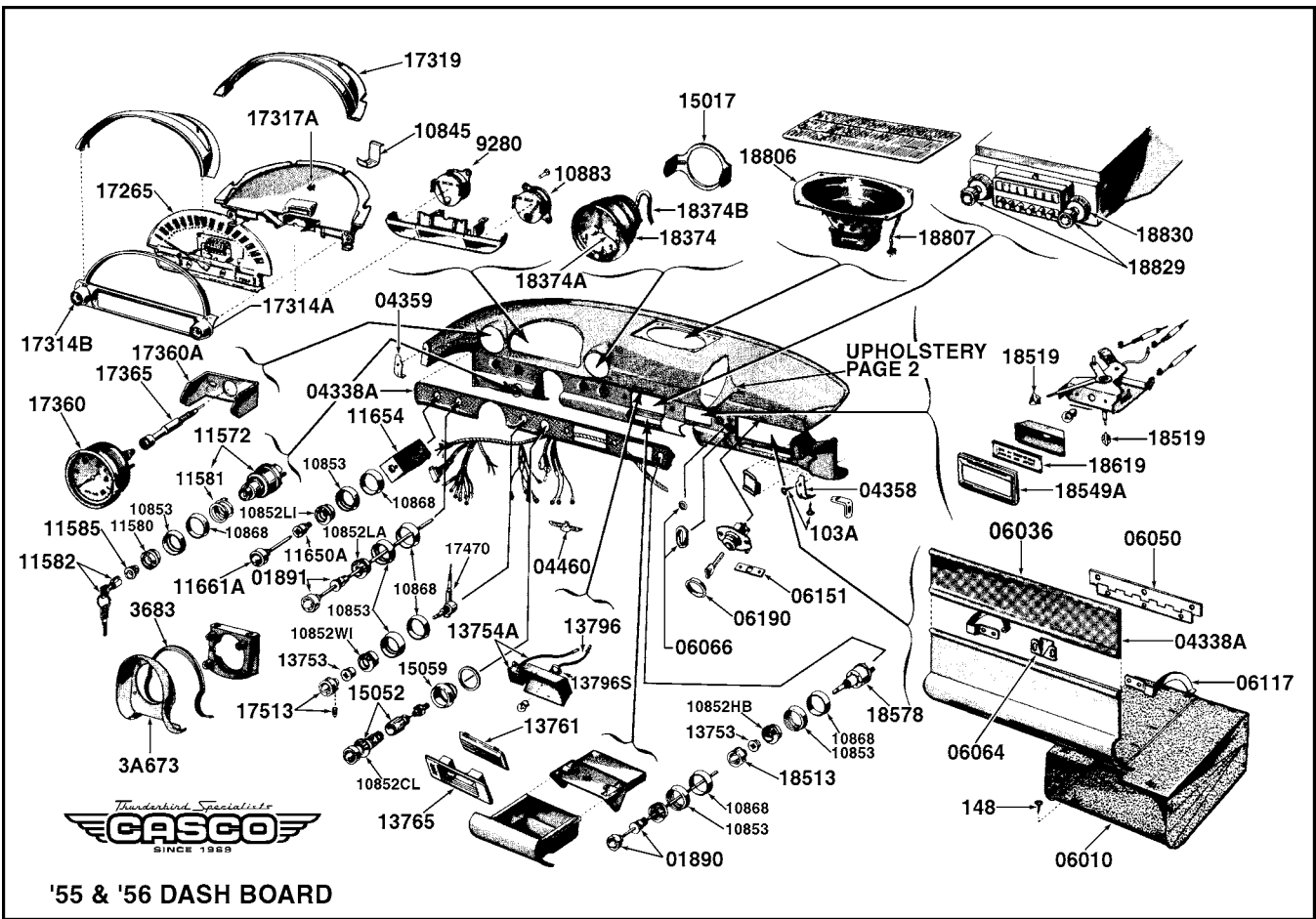


- 04104A Visors - Reproduced - White - 56 - Pair .....179.95
- 04104B Visors - Reproduced - White - 57 - Pair .....179.95
- 04104C Visors - Reproduced - Red - 57 - Pair .....179.95
- 04104D Visors - Reproduced - Blue - 57 - Pair .....179.95
- 04104E Visors - Reproduced - Green - 57 - Pair.....179.95
- 04104F Visors - Reproduced - Bronze - 57 - Pair .....179.95
- 04105 Z Clip - Sun Visor - Stainless (included w/visors)....5.70
- 04131 Clip - to Retain Visor - On Header - Chrome.....21.85
- 04144A Arm & Bracket - Visor - RH - 56.....39.98
- 04144B Arm & Bracket - Visor - RH - 57 .....39.98
- 04145A Arm & Bracket - Visor - LH - 56.....39.98
- 04145B Arm & Bracket - Visor - LH - 57.....39.98
- 102 Hardware - Visor Arm & Retainer to Header - 8 pcs.....3.51

- 04290 Padded dash, colors - 57 .....CALL
  - 04290D Padded dash\*, black - 57 -BEST FIT .....620.00
- \*Actual shipping charges apply to padded dashes  
Call for quote & availability.*



- 04291 Retainer Straps - 57 Padded Dash - Full Set.....11.90
- 144A HWK -Dash Pad Retainer Straps to Dash - 12 pcs.....2.02



**Bezel Nut Tool - TL1**  
Listed on page 53

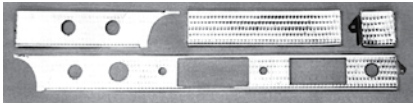

\*INCLUDED IN EXTERIOR TRIM KIT - Pg 67



Tech help: (740) 622-9700

sales@ClassicTBird.com

# COCKPIT AREA & GLASS

- 04338A  Dash Trim Set - 55/56 - 4 Pcs .....360.33
- 04338B  Dash Trim Set - 57 - 4 Pieces (see pic above).....348.11
- 04358 Plate - Dash Panel - Lower End - RH ..... 15.75
- 04359 Plate - Dash Panel - Lower End - LH ..... 15.75
- 103A HWK Dash End Trim Pcs - 04358&9 to Dash ..... 1.50



- 04407 V - 8 Emblem - Glove Box - 55/56 - Threaded ..... 14.00
- 04438C Dash Trim - Instrument Cluster only - 57 ..... 138.49
- +144 HWK -Instrument Cluster Trim to Dash - 57 - 7 pcs.....2.30
- 04454A Spacer Kit - Speaker Grille - Set/4 - 57 .....3.40
- 04460 Thunderbird Nameplate on Dash - Threaded ..... 22.95
- 06010 Glove Box.....26.00
- 06036 Glove box trim piece ..... 123.85
- 06050 Hinge - Glove Box Door - Replacement.....5.25



- 06064 Catch - Glove Box Door - Plated .....9.95
- 06066 Grommet and Bumper Set - Glove Box Door.....7.50
- 06069 Spring for Glove Box Door .....7.99
- 06117 Arm - Glove Box Door - RH.....6.00
- 06118 Arm - Glove Box Door - LH.....6.00
- 06151 Plate - Glove Box Door lock Latch Guide.....7.80
- 06190 Bezel - Glove Box Lock.....6.95
- 06190C Bezel SS - Glove Box Lock w/ four 7/16" legs that secure it to the 57 pad & dash .....9.00
- 148 HWK- Glove Box to Dash - 6 pcs .....1.32
- 148A HWK- Glove Box Arms to Door - 4 pcs.....1.43
- 148B HWK- Glove Box Latch to Door - 4 pcs.....1.70
- 148C HWK- Glove Box Hinge to Door - 6 pcs .....1.40
- 148D HWK- Glove Box Latch & Guide Plate to Dash- 6 pcs.....1.50
- 148E HWK- Glove Box Hinge to Dash - 6 pcs .....1.17
- 10804 Regulator - Inst Cluster - 57 - Replacement.....31.00
- 10845 Clip - Speedometer Retaining - 55/56 - 4/Car.....4.50



- CASCO REPRODUCED INNER DASH BEZELS ARE CORRECT "SHINE THROUGH" CONSTRUCTION.**
- 10852CL Dash Bezel - Inner - Cigar Lighter..... 15.75
- 10852HB Dash Bezel - Inner - Heater Blower Switch..... 15.75
- 10852LA Dash Bezel - Inner - Left Air Control ..... 15.75
- 10852LI Dash Bezel - Inner - Headlamp Switch ..... 15.75
- 10852RA Dash Bezel - Inner - Right Air - No Heater..... 15.75
- 10852WI Dash Bezel - Inner - Windshield Wiper Control..... 15.75
- 10853 Bezel - Dash Knobs - Outer ..... 13.95
- 10868 Pad - Between Dash Outer Bezel & Dash ..... 1.57
- 10876B Bezel Set - 57 dash instruments/set of 5. ....99.95
- 10883B5 Temp Sender & Dash Gauge Set 55-12v & 1956 Includes sender, gauge, & instructions ..... 128.95
- 10936A Lens - Glass - Speedometer Dial - 57 .....4.50
- 10936B Lens - Glass - Fuel, Temperature and Tach 57 .....3.45



- 10A938 Bezel Set - Dash Ind Lights - Set/4 - 57 .....33.00
- Jewel Set:** Red inserts: Oil and Generator lights & green: Turn Signal
- JS-1 55/56 4 Pieces Per Set.....5.80
- JS-2 57 4 Pieces Per Set.....8.40
- 11135P Plugs - Floor & Cowl - Set of 10.....20.75

- 11572 Ignition Switch .....21.55
- 11580 Dash Bezel - Inner - Ignition Switch .....18.95
- 11581 Spring - Ignition Switch .....2.62
- 11582 Cylinder and Keys - Ignition Switch Lock .....34.95
- 11585 Retainer "Nut" - Ignition Switch .....14.35
- 11650A Nut - Headlamp Switch Retaining - 55/56 .....14.60
- 11650B Nut - Headlamp Switch Retaining - 57 .....14.95
- 11654A Switch - Light Control - 55 - 6 Volt.....61.50
- 11654B Switch - Light Control - 56/57 - 12 Volt.....54.85
- 11661A Knob & Shaft - Light Control - 55/56 - Original.....20.95
- 11661B Knob & Shaft - Light Control - 57 - Original.....20.95

- Add one of these kits to keep parking lights on w/ headlights:**
- 11654AP Kit - Park lights on w/ headlamps - 55.....9.95
- 11654BP Kit - Park lights on w/ headlamps - 56/57.....9.95



- 12128 Plug - Floor Access Hole.....13.97
- 12170 Gasket - Transmission Governor Access Cover - Floor Pan.....2.23



- 13208C Plate - Door Scuff - RH Made in USA .....35.95
- 13209C Plate - Door Scuff - LH Made in USA.....35.95
- +132 HWK -Step Plates to Body - 16 pcs.....2.60
- 13713 Switch - Map Lamp - In Hinge Pillar.....8.62



- 13754A Switch - Map Light - w/ wire leads & attaching rivets.....9.90
- 13761 Lens - Map Light .....7.34
- 13765 Housing - Map Lamp - Chrome .....22.94
- 13796 Wire - Map Lamp - No Socket.....4.25
- 13796S Socket & wire for map lamp .....13.60
- 14585B Clips Wire Loom at Instrument Cluster - 3 pc .....7.25
- 15017 Bracket - Retains Clock to Dash - 55/56 .....13.35

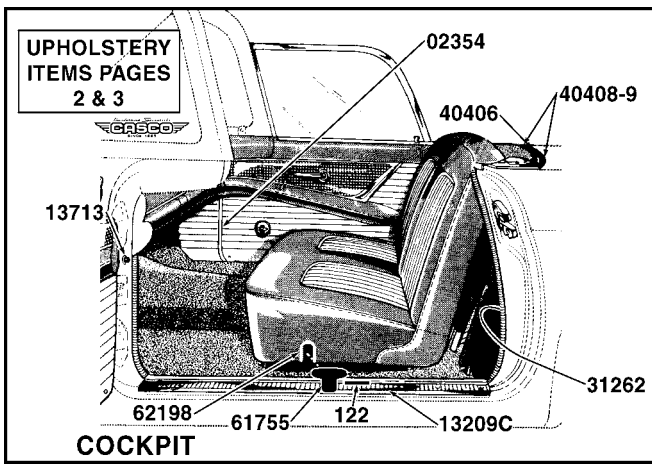


- 15052-6V OR 12V**
- 15052A Element only - 12V - Cigarette Lighter .....4.00
- 15052-6V Lighter - Complete - Reproduction With Socket - 6 Volt - LIKE ORIGINAL.....51.95
- 15052-12V Lighter - Complete - Reproduction With Socket - 12 Volt - LIKE ORIGINAL.....43.00
- 15052C 12V Lighter Complete with element, knob and socket. Functional replacement only .....6.80
- 15052D 6V Lighter Element only .....13.85
- 15056 Wire - With Right Angle Connector. Supplied with reproduction lighters .....1.65



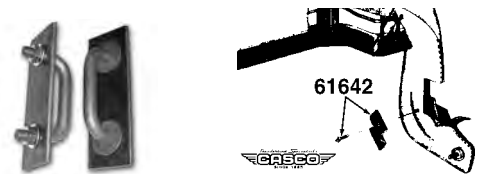
- 15056K Knob Only - Cigar Lighter - Like Original Does Not Include "Lighter" Bezel .....20.95
- 15059 Bezel - Cigar Lighter.....21.80
- 15052PO **USB POWER OUTLET KIT - 12 Volt - Modifies your TBird lighter socket so it can be used to charge/run portable electronics.....12.00**
- 17248A Seal - Speedometer Trim Ring - 57.....1.52
- 17248B Seal - Small Instrument Trim Ring - 57 .....1.45
- 17265 Dial - Speedo Face w/ recessed numbers - 55/56.....46.00
- 17265X Dial - Speedo Face - Without Recessed Numbers - 55/56 .....46.79





**COCKPIT**

**NEW**

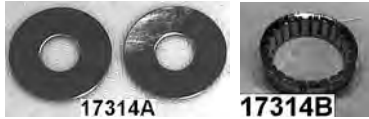


- 61212 Seat Belt Brackets - Original Style - Pair ..... 59.95
- 61642 Plate - Seat Stop - W/Screws - Pair ..... 7.35



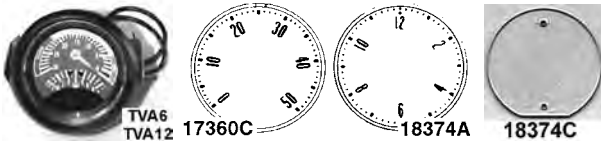
- 61755 Handle - Manual Seat Adjusting ..... 16.43
- 61828 Spring - Seat Assist - Power Seat ..... 8.50
- 62190 Cable & Housing - Manual Seat Release ..... 9.35
- 62192 Seat Cable Adj. Brkt & Block - Manual Seat ..... 45.00
- 62198 Shield - Manual Set Adjuster - U - Shape - Polished Stainless ..... 10.96

- 121 Hardware- Power Seat Brackets to Floor - 8 pcs ..... 1.55
- 122 Hardware- Manual Seat Handle to Arm - 2 pcs ..... 1.10



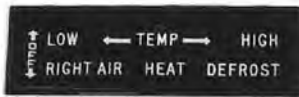
- 17314A Retainers - Turn Sig. Lenses - Pair - 55/56 ..... 8.35
- 17314B Bezel Turn Signal Indicator 55/56 ..... 15.95
- 17319 Dome - Plastic - Speedometer - 55/56 ..... 31.45
- 17360A Bracket - Retains Tach to Dash - 55/56 ..... 10.45

- 17360B Tachometer Needle - 55/56 ..... 12.49



- 17360C Tach Face - w/RECESSED NUMBERS - 55/56 ..... 19.49
- 17360X Tach Face - Without Recessed Numbers ..... 17.50
- TVA6 Tach & Vacuum Combo Gauge 6volt ..... 409.00
- TVA12 Tach & Vacuum Combo Gauge 12volt ..... 409.00
- 17317A Lens - High Beam Indicator - 55/56 ..... 9.97
- 17513 Knob - Wiper Control - Black/Chrome ..... 15.75

- 18374 CLOCK RECONDITIONING Allow 4 - 6 wks ..... 175.00
- 18374Q QUARTZ CONVERSION Allow 4 - 6 wks ..... 284.00
- 18374A Clock Face - w/RECESSED NUMBERS 55/56 ..... 19.60
- 18374X Clock Face - Without Recessed Numbers ..... 18.00
- 18374B Wire & Fuse Holder - Clock to Connector ..... 10.95
- 18374C Clock Face - 57 - W/ F & S Marks & Arrows ..... 10.45
- 18374E Knob - Clock - Chrome - 57 Only ..... 6.88
- 18375 Gasket - Clock - 57 ..... 2.25
- 18513 Knob - Heater Blower - Black - Chrome ..... 16.55
- 18549A Faceplate - Heater Control - Chrome ..... 38.65
- 18578 Switch - Heater Blower - 2 Speed ..... 32.85



- 18619 Faceplate - Heater Control ..... 13.10
- 18805F Wire & Fuse Holder - Radio to Ignition ..... 15.75
- 18829D Knob Radio Control D - Shaft ..... 15.75
- 18829S Knob Radio Control Split Shaft ..... 15.75
- 31262 Tack Strip - Quarter Panel Behind Door - Pair ..... 8.85
- 40406 Clip - Rear Garnish Moulding - Behind Seat ..... 9.85
- 40406F Rear Garnish Body - Fiberglass ..... 175.00
- 40408-9 Mouldings - Rear Garnish - Stainless - Pair (does not include 40406 clips) ..... 97.95
- 136 Hardware- Rear Garnish Mouldings To Body - 16 pcs ..... 7.70



- 50530 Retainer Plate - Front Holddown Latch ..... 15.90
- 60000A Seat Tack Strip Set - Includes 60000B ..... 24.95
- 60000B Stiffeners - Seat Bottom Front - Pair ..... 4.00



- 17700A Mirror - Inside - 2 3/4" arm - 55 ..... 32.25
- 17700B Mirror - Inside - 3 1/16" arm - 56/57 ..... 32.25
- 17702A Base & Stud - Inside Mirror - 55 ..... 14.00
- 17702B Base & Stud - Inside Mirror W/FoMoCo - 56/57 ..... 15.50
- 101 Hardware - Inside Mirror to Header & Tensioning Screws - 5 pcs ..... 1.97

**INTERIOR TRIM SCREW KITS**

Save \$2 on interior trim hardware kits. Includes hardware for: inside mirror, visors, inner windshield mouldings, door panels, door garnish plates, door garnish, seat back, inner vent grilles, step plates, quarter trim panels, steering column trim, instrument cluster trim, & hood release bracket. Specifically, the individual kits preceded with a "+" on page 40 Individual kits are packed & labeled for easy identification.

- ITSK55 Interior Screw kits - 55 - 142 pcs ..... 28.00
- ITSK56 Interior Screw kits - 56 - 158 pcs ..... 33.00
- ITSK57 Interior Screw kits - 57 - 161 pcs ..... 35.00

**ADDITIONAL HARDWARE KITS for this area**

- 121 Power Seat Brackets to Floor - 8 pcs ..... 1.55
- 122 Manual Seat Handle to Arm - 2 pcs ..... 1.10
- 130 Dimmer Switch to Plate & Plate to Floor - 8 pcs ..... 1.75
- +131 Vent Grilles Inside to Body - 8 pcs ..... 1.61
- 131A Air Deflector Scoops to Body - 6 pcs ..... 1.55
- 133A Pedal Assembly to Dash & Firewall - 7 pcs ..... 5.50
- 134 Transmision Governor Cover to Floor Pan - 4 pc ..... 1.26
- +135 Quarter Trim Panels to Body - 20 pc ..... 2.85
- 137 Rear Holddown Plates (50553) to Deck - 10 pc ..... 2.90
- 138 Side Hold Down Plates to Body - 6 pcs ..... 2.05
- 140 Accelerator Pedal to Floorboard & Bracket to Firewall ... 2.05
- 141 Fordomatic Brake Pedal to Pedal Arm - 2 pcs ..... 1.95
- 141A Emergency Brake Assy to Firewall - 4 pcs ..... 1.03
- 141B Emergency Brake Cable to Firewall - 2 pcs ..... 1.17
- 142A Heater Air Chambr (18471) to Firewal - 3pcs ..... 1.70
- +143 Steering Column Trim 3A673 to Retainer - 4 pcs ..... 1.70
- 143A Steering Column Seal to Firewall - 9 pcs ..... 2.30
- 143B Turn Signal Switch To Column - 2 pcs ..... .99
- 144B Cowl Braces to Dash & Firewall - 22 pcs ..... 3.30
- 144C Dash to Cowl & Door Pillars - 18 pcs ..... 3.70
- 145 Speaker Cover to Dash - 8 pcs ..... 1.38
- 145A Radio Speaker to Dash - 4 pcs - Wingnuts ..... 1.55
- +146 Hood Release Cable Bracket to Dash - 4 pcs ..... 1.80
- 146A Hood Rel. Cable Retainer to Firewall - 6 pcs ..... 1.75
- 147 Dash Trim to Dash & glove box grommet screw- 6 pcs .. 1.10
- 147A Ashtray to Dash and Ashtray Door - 6 pcs ..... 1.37
- 147B Fuel & Temp gauge to dash 55/56 - 4 pcs ..... 1.25
- 147C Dash Instruments to Housing - 57 - 16 pcs ..... 2.00

# ELECTRICAL - CHARGING & STARTER

## CONVERSION KIT FROM 6V TO 12V

YOU SAVE \$30.00

Kit Contains: coil, alternator conversion, solenoid, battery cables & brackets, resistor, dist & solenoid wires, headlamps, bulbs, flasher, horn relay, horns, fuses, blower motor, lighter element, battery carrier & holddown parts. (Does not include clock rebuild service, or power window or seat motors)

6V TO 12V.....954.16

## CONVERSION KIT WITH LED REAR LAMPS

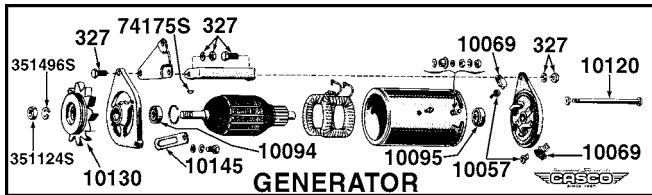
YOU SAVE \$30.00

Save even more and make your car safer when you add a pair of LED tail lamps to the above kit. Kit contains parts listed above plus LED tail lamp assemblies with gaskets.

6V TO 12V LED.....1094.11



- ALTKIT All of the Items Necessary to Convert Your T-Bird to a 105 Amp Alternator - 12 volt .....239.00  
 ALTKIT6V Alternator Conversion kit - 6 volt .....247.00



## GENERATOR

## GENERATOR OVERHAUL KIT

YOU SAVE \$1.00

Kit - Generator Overhaul Contains:

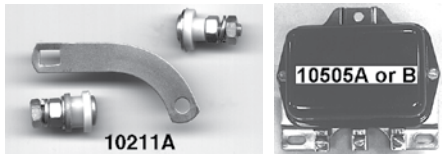
2 - 10057; 1 - 10069; 1 - 10094; 1 - 10095

10001A6VK For 6 Volt Generators.....39.13  
 10001A12VK For 12 Volt Generators.....43.84

- 10057 Spring - Generator Brush .....4.60  
 10069A Brush Set - Generator - 55 .....5.24  
 10069B Brush Set - Generator - 56/57 .....9.95  
 10094 Bearing - Generator Front End Plate .....10.20  
 10095 Bearing - Generator Rear End Plate .....15.49  
 10120 Bolt - Generator & Starter Frame .....2.75  
 10130 Pulley - Generator w/nut,l/w,spacer,key .....137.20  
 10145 Arm - Generator Belt Adjusting .....15.35



- 10151 Bracket - Generator Mount - Cast Iron.....49.95  
 10153 Generator Stabilizer Bracket .....8.35  
 327 HWK -Generator to Generator Bracket - 6 pcs .....3.00

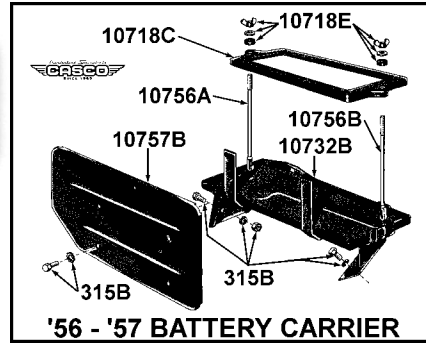


Kit to convert Passenger Car Generator End Plate With High Output Stud to T-Bird End Plate With Lower Stud - With Instructions.

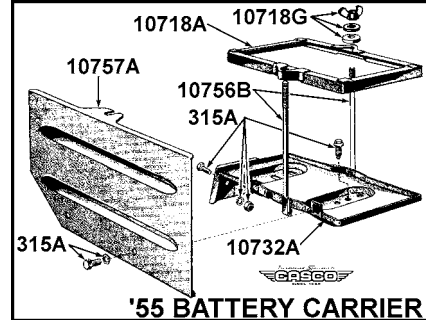
- 10211AC Use With Cast End Plate.....20.95  
 10211AS Use With Stamped End Plate.....20.95

- 10505A Voltage Regulator - 6V - Replacement - 55 .....80.35  
 10505B Voltage Regulator - 12V - 56/57 .....103.50  
 322C HWK -Voltage Regulator to Apron - 3 pcs .....1.36

Cars with power brakes also need 2031B bracket to make room for larger battery

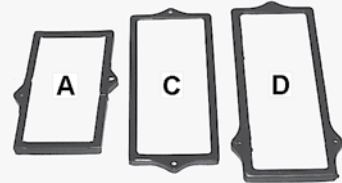


## '56 - '57 BATTERY CARRIER



## '55 BATTERY CARRIER

- 10655A Battery Corrosion Resistors - Felt - Pkg of 2.....2.91



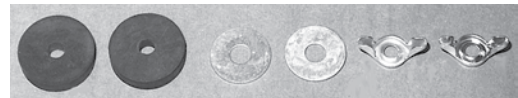
- 10718A Clamp - Battery Hold Down - 55 for standard ..... 6 volt battery, measures 10.25" x 5.75" ..... 11.96  
 10718C Clamp - Battery Hold Down - 56/57 for Standard Grp 29 battery - 2 holes, measures 12" x 5.75" ...24.45  
 10718D Clamp - Battery Hold Down - 56/57 for Heavy duty Grp 32 batt - 3 holes, measures 5.75" x 14.5" ....34.98

## BATTERY HOLD DOWN KIT

YOU SAVE \$5.00

Includes hold down clamp, bolts, wingnuts, and washers

- BHDK55 For 55 - 6 Volt Battery .....23.16  
 BHDK567ST For 56/57 - 12 Volt - Standard Battery .....50.93  
 BHDK567HD For 56/57 - 12 Volt - Heavy Duty Battery .....34.85



- 10718E Kit - Battery Clamp - Includes 2 Each Wingnut; Correct Size Rubber Grommets & Washers .....3.50  
 10718F Same as 10718E except 3 Each .....5.35  
 10718G Same as 10718E except with forged wingnuts instead of stamped - for '55.....4.30



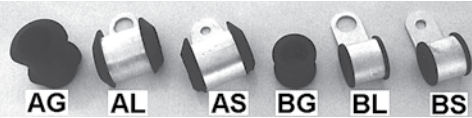
- 10719 Angle Bracket - Battery Hold Down to Apron - 55 - Supplied on All 55's.....6.85  
 10732A Battery Carrier - 6 Volt - 55 .....63.00  
 10732B Battery Carrier - 12 Volt - 56/57 .....70.30  
 10756A Bolt - Battery Clamp - Long - Plated - Correct Length & Shape.....3.70  
 10756B Bolt - Battery Clamp - Short - Plated - Correct Length & Shape.....3.70  
 NOTE: 55: use 2 - 10756B bolts; 56/57 Standard: use 1-10756A & 1-10756B; 56/57 Heavy Duty: use 3-10756B  
 10757A Battery Heat Shield - Steel - 55 .....39.60  
 10757B Battery Heat Shield - Steel - 56/57.....45.35

## KEEP YOUR BATTERY READY TO GO

STORAGE/ MAINTENANCE CHARGER is an inexpensive float charger that will keep your battery factory fresh without overcharging or boiling electrolyte. Works on both 12v and 6v systems.

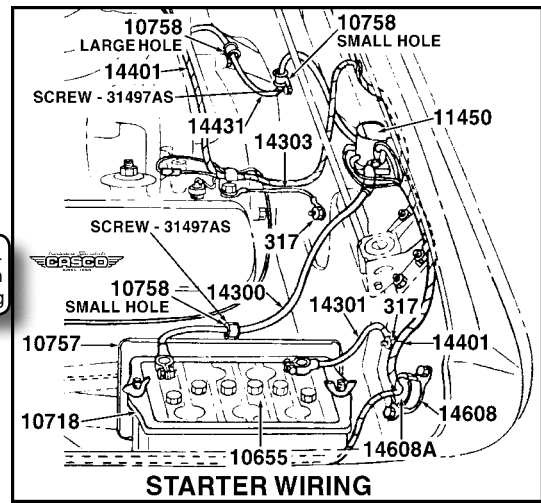
BAT-UP-12 Battery maintenance charger - 6 & 12 Volt ..... 39.25

NOTE: '55 USES 1 ea.  
10758AL & AS.  
'56 & USES 1 10758AL  
& 2 10758AS.



- |         |   |      |
|---------|---|------|
| 10758AL | Grommet and Bracket - Battery Cable - Large Hole - For Bellhousing - 55/56 .....    | 8.95 |
| 10758AS | As Above - With Small Hole - 55/56 .....  | 8.95 |
| 31497AS | Screw - Batt Cable Grom Retainer (10758AS) .....                                    | 3.00 |
| 10758AG | As Above - Grommet Only - No Bracket - 55/56 .....                                  | 5.00 |
| 10758BL | Grommet and Bracket - Battery Cable Large Hole - For Bellhousing - 57 - 1/Car ..... | 8.95 |
| 10758BS | As Above - With Small Hole - 57 - 2/Car .....                                       | 8.95 |
| 31497AS | Screw - Batt Cable Grom Retainer (10758BS) .....                                    | 3.00 |
| 10758BG | As Above - Grommet Only - No Bracket - 57 .....                                     | 5.00 |

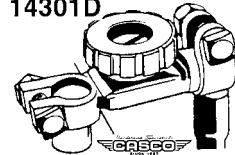
10758AL & BL use the bolt on the bellhousing



NOTE: All 6 volt cables are heavy "0" gauge

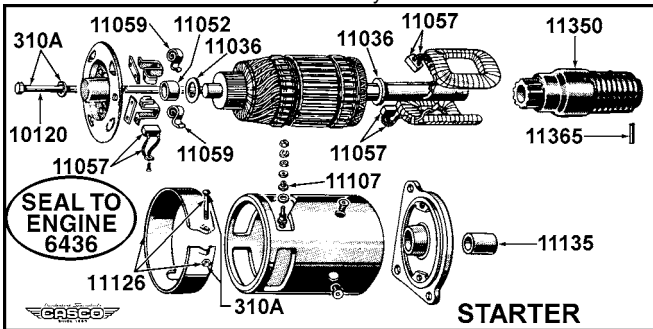
- |        |  |       |
|--------|--|-------|
| 14300A | Battery Cable to Solenoid - Reproduction Black Cable - Plated Brass End - 55 .....               | 32.00 |
| 14300B | Battery Cable to Solenoid - Reproduction Black Cable - Plated Brass End - 56/57 .....            | 20.00 |
| 14301A | Battery Cable to Ground - Reproduction - Black Cable - Right Angle - Plated Brass End - 55 ..... | 34.70 |
| 14301B | Battery Cable to Ground - Reproduction - Black Cable - Plated Brass End - 56 .....               | 19.00 |
| 14301C | Battery Cable to Ground - Reproduction - Black Cable - Plated Brass End - 57 .....               | 15.00 |

### 14301D



Designed for use on the negative terminal

- |        |   |       |
|--------|---|-------|
| 14301D | Battery Master Switch - Eliminates Drain Down - 1/2 Turn to Open. Remove Knob Completely For Security ..... | 9.95  |
| 14303  | Ground Wire - Engine to Firewall .....  | 9.00  |
| 14431A | Cable - Solenoid to Starter - 55 .....  | 32.00 |
| 14431B | Cable - Solenoid to Starter - 56/57 .....   | 18.25 |
| 74175S | Key - Timing gear & Generator pulley .....  | .48   |



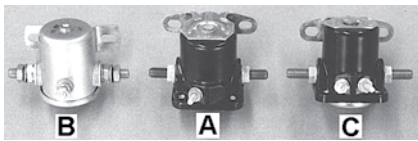
- |        |                                      |        |
|--------|--------------------------------------|--------|
| 11002B | Starter - 12v - Remanufactured ..... | 133.00 |
|--------|--------------------------------------|--------|

### STARTER OVERHAUL KIT

Kit - Starter Overhaul Contains: 2 - 11036;  
1 - 11052; 1 - 11057; 4 - 11059; 1 - 11135

- |        |   |       |
|--------|---|-------|
| 11002K | Starter Overhaul Kit - 6 or 12 Volt ..... | 22.45 |
|--------|---|-------|

- |       |  |       |
|-------|--|-------|
| 11036 | Washer - Starter Arm Thrust .....                | .81   |
| 11052 | Bushing - Starter Front End Plate .....          | 1.89  |
| 11057 | Brush Set - Starter - 4 Brushes .....            | 10.59 |
| 11059 | Spring - Starter Brush .....                     | 1.00  |
| 11107 | Bushing - Starter Field Terminal Insulator ..... | 3.15  |
| 11126 | Starter Cover & Attaching Parts .....            | 5.25  |
| 11135 | Bushing - Starter - Rear End Plate .....         | 4.35  |
| 11350 | Drive - Starter .....                            | 98.50 |
| 11365 | Pin - Starter Drive Pinion .....                 | .98   |



- |        |   |       |
|--------|---|-------|
| 11450A | Starter Solenoid - 55 - Replacement .....             | 30.00 |
| 11450B | Starter Solenoid - 55 - Metal Can Like Original ..... | 41.25 |
| 11450C | Starter Solenoid - 56/57 - Black .....                | 30.42 |

**ClassicTBird.com**

## TECH TIPS

□ If you are planning to do a body - off restoration of your T-Bird be sure to do the structural work such as inner & outer rocker repair while the body is still on the frame. Using the frame as a jig to hold pieces in place will minimize door fit and other problems later in the process.

□ As you remove the body keep track of how many body shims and their thickness were used at each body mount location. This will be helpful on reinstallation.

## ★ T-BIRD FACTS

□ Classic T-Birds are not designed to start in park. They are designed to start in neutral **only**.

□ For T-Birds with automatic transmissions the backup lamp switch is part of the neutral safety switch.

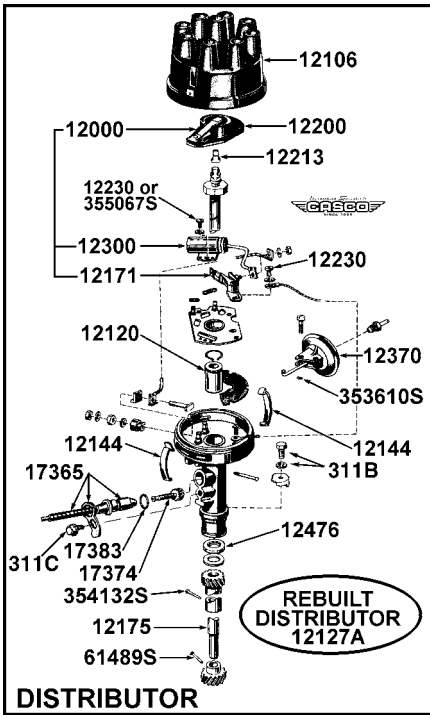
□ The battery in all T-Birds is installed with the positive terminal forward.

### ADDITIONAL HARDWARE KITS FOR THIS AREA

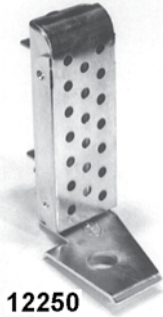
- |      |   |      |
|------|---|------|
| 310  | Starter to Bell Housing - 6 pcs .....                                 | 1.75 |
| 312  | Starter Solenoid to Firewall - 2 pcs .....                            | 1.15 |
| 315A | Battery Box to Apron and Firewall - 55 - 12 pc .....                  | 2.30 |
| 315B | Battery Support to Apron and Shield to Support - 56/57 - 18 pcs ..... | 5.35 |
| 317  | Ground Straps - Engine and Battery to Firewall - 57 - 4 pcs .....     | 1.15 |



# ELECTRICAL - IGNITION SYSTEM



**BRIGHT PLATED  
LIKE ORIGINAL**



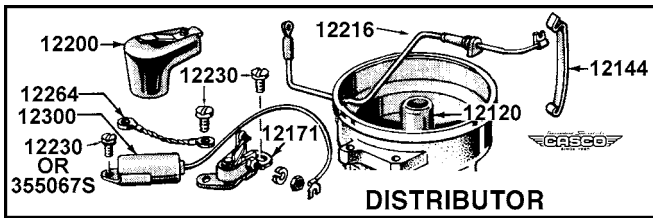
**12250**



12106A	Distributor Cap - 55/56 .....	25.95
12106B	Distributor Cap - 57 .....	19.98
12106M	Distributor Cap - Mallory Replacement .....	43.00
12110A	Kit - Ignition Cable Conduit - 8 Pcs. ....	3.65
12111	Bracket - Ignition Cable .....	4.65
12112A	Bracket - Ignition Cable 2/car .....	3.27
12112B	Bracket - Ignition Cable .....	3.48
12120A	Bushing - Distributor Shaft - 55/56 .....	15.52
12120B	Bushing - Distributor Shaft - 57 .....	15.52
12127A	Distributor - Rebuilt - No Cap, Rotor or Retainer Uses '57 parts - NO TACH DRIVE .....	239.00
12127R	Distributor - Tach Drive w Coil - 55-57 Billet aluminum, Electronic ignition, Adjustable vacuum advance. Includes springs to adjust the advance & higher voltage coil. ....	455.00
NEW 12128CR	Cap & Rotor for 12127R dist. ....	36.95

311B	HWK Distributor Retaining Clip to Block - 2 pcs.....	1.60
311C	HWK Tach Cable Clip to Distributor - 2 pcs.....	1.45

**DISTRIBUTOR**



**DISTRIBUTOR**

## ELECTRONIC IGNITION CONVERSION KIT

*\*\*Pertronix Ignitor approved for use with CASCO wires, page 43\*\**

IGNITOR55	Electronic Ignition - Pertronix - 55 - 6 Volt Only ..	144.95
IGNITOR56	Electronic Ignition - Pertronix - 55/56 - 12 Volt....	117.40
IGNITOR57	Electronic Ignition - Pertronix - 57 .....	112.95
IGNITORMALElec.	Ign - Pertronix for 12171M, Mallory Dist.....	86.00

## IGNITION TUNE - UP KIT YOU SAVE \$1.00

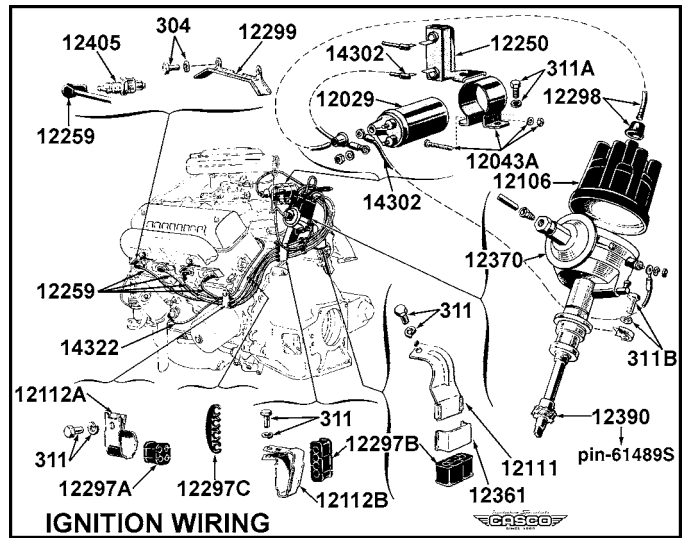
Kit - Ignition Tune - Up Contains points, condenser, rotor, distributor cap, and 8 spark plugs

ITK556	Ignition Tune - Up Kit - 55/56 .....	87.45
ITK57	Ignition Tune - Up Kit - 57 - W/O Dual Pts .....	77.77

12000AK	Points, Condenser & Rotor - 55/56 .....	31.35
12000BK	Points, Condenser & Rotor - 57 .....	33.07
12029A	Coil - 55 - Replacement W/O decal.....	43.00
12029B	Coil - 56/57 - Replacement W/O decal.....	54.79
12029BY	Coil - 56/57 - Yellow Front - W/O decal.....	51.95
12043A	Coil Mounting Strap - 55 .....	11.35
12043	Coil Mounting Strap - 56/57 .....	29.95
311A	HWK Coil Bracket to Manifold - 4 pcs .....	2.38

## IGNITION TUNE-UP SPECS

- Cylinder Firing order ..... 1 - 5 - 4 - 8 - 6 - 3 - 7 - 2
- Rotor Rotation ..... Counterclockwise
- Distributor Point Gap ..... 0.014" - 0.016"
- Distributor Dwell Angle ..... 26° - 28.5°
- Breaker Arm Spring Tension ..... 17 - 20 ounces
- Ignition Timing (Marks on Crankshaft Pulley)
  - Standard & Overdrive..... 3° BTDC
  - Fordomatic Transmission ..... 6° BTDC
- Spark Plug Gap ..... 0.032" - 0.036"



**IGNITION WIRING**

12144A	Clamp - Distributor Cap - 55/56 .....	7.63
12171A	Point Set - 55/56 .....	10.25
12171B	Point Set - 57 .....	14.00
12171C	Point Set - 57 Dual Point Dist. - Pair .....	42.65
12171M	Point Set for 12127M Mallory Dual .....	59.40
12177	Cam retainer - distributor - 57 .....	12.69
12200A	Rotor - Distributor - 55/56.....	10.55
12200B	Rotor - Distributor - 57.....	9.92
12200M	Rotor for Mallory Distributor .....	13.79
12213	Retainer - Rotor - 55/56 .....	4.10
12216	Wire - Distributor Primary Terminal Replacement (Eliminates Troublesome Bolt Connection Through Distributor) .....	10.45



KEY BLANKS - Original key blanks - set consisting of one ignition & one trunk key. KEYS .....

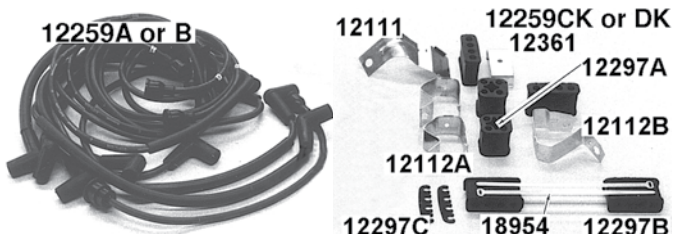
## ★ T-BIRD FACTS

- All '55's were 6 volt and were positive ground.
- All '56 and '57's were 12 volt negative ground.

- 12230 Screw - Ign Points & 57 Cond to Plate.....60
- 12250 Coil Resistor - Repro - Like Original.....24.95

- 12300A Condenser - Distributor - 55/56.....12.98
- 12300B Condenser - Distributor - 57.....9.15
- 12361 Clamp - Goes With 12111.....3.85
- 12370C Diaphragm - Dist. Vacuum Control - 57.....N/A

### CASCO REPRODUCTION SPARK PLUG WIRES



CASCO Manufactured Spark Plug Wire Sets are the most authentic wire sets available anywhere. They are complete with such details as the brown coil wire with proper part number stamp, tin coated copper stranded wire like the original, FoMoCo Oval on the spark plug boots, the proper boots at the distributor & coil, and 12110A conduit installed. custom built for proper fit. Set comes with installation instructions.

- \*\*Approved for use with Pertronix Electronic Ignition.\*\*
- 12259A Spark Plug Wire Set - As Original - **WIRES ONLY**  
For 55, 56, & Early 57's.....74.95
  - 12259B Spark Plug Wire Set - As Original - **WIRES ONLY**  
For Late 57's (Small Data Plate).....74.95

### PREMIUM IGNITION WIRES

CASCO is proud to announce we are currently making an all radio resistance ignition wire set. This new wire uses all silicone rubber construction with a fine, wire wrapped, resistive mag - core. The benefits of this new wire include: better heat resistance up to about 500 degrees, superior resistance to petroleum products, better pliability in cold weather, lower incidence of harmonic vibration failure, designed and built to be compatible with hotter coils and computer ignition, and of course no radio interference. These wires are concours correct including the licensed FoMoCo logo on the boots and the brown coil wire.

- 12259AP Premium Spark Plug Wire Set - **WIRES ONLY**  
For 55, 56, & Early 57's.....88.95
- 12259BP Premium Spark Plug Wire Set - **WIRES ONLY**  
For Late 57's (Small Data Plate).....88.95

**SPARK PLUG WIRE INSTALLATION KIT - NO WIRES**  
YOU SAVE \$50

- 12259CK Spark Plug Wire Installation Kit - 55 -  
Includes: 12111; 2 - 12112A; 12112B;  
2 - 12297A; 4 - 12297B; 12361; & 2 - 18954 .....39.22
- 12259DK Spark Plug Wire Installation Kit - 56/  
57 - Includes: 12111; 2 - 12112A;  
12112B; 2 - 12297A; 2 - 12297B;  
2 - 12297C; & 12361.....30.96
- 12259L Labor Charge to Assemble Spark Plug  
Wires to Grommets & Brackets - Ready  
to Install on Your Engine .....24.00

**WE WILL ASSEMBLE YOUR SPARK PLUG WIRES  
WITH THE GROMMETS & BRACKETS SO THEY ARE  
READY TO INSTALL. SEE PART # 12259L ABOVE!**

- 311 HWK Ignition Cable Brackets to Engine - 8 pcs.....2.90
- 12264A Wire - Point Ground - 55/56.....3.20
- 12264B Wire - Point Ground - 57.....2.65
- 12297A Grommet - Ignition Cable 2/car.....2.75
- 12297B Grommet - Ignition Cable - 4 used on 55,  
2 used on 56 & 57.....2.75
- 12297C Grommet - Ignition Cable - 56/57......97
- 12298 Coil Wire - Brown - With Boots - Comes with  
12259A & 12259B Plug Wire Sets .....20.95

CASCO SPARK  
PLUG SHIELDS ARE  
BRIGHT PLATED  
LIKE ORIGINAL



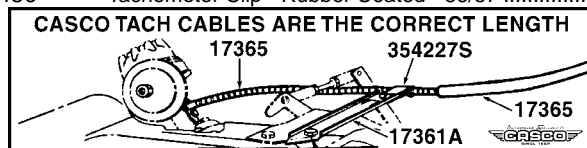
- 12299 Shield - Spark Plug - Bright Plated - 4 per car .....4.94



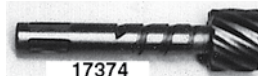
- 12370AL Vacuum Advance Line - 55 - with fitting .....15.15
- 12370ALSS As Above - With Stainless Steel Line.....20.95
- 12370BL Vacuum Advance Line - 56 - with fitting  
2 lines.....31.95
- 12370BLSS As Above - With Stainless Steel Lines .....41.95
- 12370CL Vacuum Advance Line - 57 - with fitting .....19.95
- 12370CLSS As Above - With Stainless Steel Line.....28.95
- 12370EL Vacuum Advance Line - Dual 4 - 57.....11.95
- 12370ELSS As Above - With Stainless Steel Line.....16.95
- 12405 Spark Plug.....3.59
- 12476 Oil seal - distributor shaft .....11.65
- 14302 Wire Set Distributor - Coil & Resistor.....7.65
- 14302A Wire - Starter solenoid to resistor/non - original  
part used on 55 converted to 12 volt.....6.55



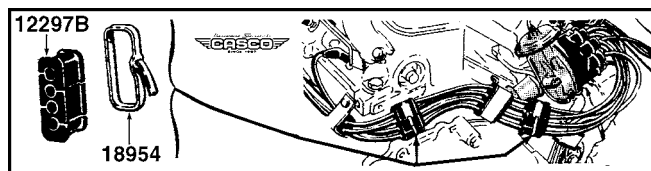
- 14450 Tachometer Clip - Rubber Coated - 56/57 .....1.35



- 17361A Bracket & Clip - Tach Cable - Mounts on  
Intake Manifold - 55.....11.95
- 17365A Tachometer Cable & Core - Rubber Coated  
For 55's - Correct 42.5" length .....65.00
- 17365 Tachometer Cable & Core - 56/57 -  
Cable is correct 36.75" length .....65.00



- 17374 Gear - Tachometer Driven - Steel.....38.00
- 17383 O - Ring - Tachometer Driven Oil Seal......99



- 18954 Band - Aluminum, Used around 12297B Grommets  
on 55 and Early 56's .....2.35

### TACH - VAC GAUGE

Replace or upgrade your tachometer with this new combination tachometer and vacuum gauge. Tach is electronic so there is no need for an expensive tach - drive distributor. Knowing the manifold vacuum is invaluable in diagnosing a host of engine problems. Unit is shown installed in an original tach housing. (Not included) Kit comes with gauge, vacuum hose and fitting, TBird installation bracket, installation directions and information about interpreting vacuum gauge readings. 1955 and 1956 Only. Will not fit 1957.

**TVA6**  
**TVA12**

- TVA6 Tach & Vacuum Combo Gauge 6volt .....409.00
- TVA12 Tach & Vacuum Combo Gauge 12volt .....409.00





# HARDWARE KITS - COMPLETE LISTING



CASCO was the creator of the hardware kit for Classic T-Birds. From the onset we have been diligent in providing, to the extent possible, the correct fastener with the correct head style and size, the correct dimensions, and the correct finish. Each kit is individually packaged and clearly labeled with both part number and description.

Many of our customers have told us how convenient our kits are and how much they simplify the reassembly process. We are confident that you will agree.

## INTERIOR TRIM SCREW KITS

Order one part number and get all the interior trim kits you need. Package includes the individual kits that are preceded with "+", individually packed, and labeled for easy identification.

ITSK55	Interior Screw kits - 55 - 142 pcs.....	28.00
ITSK56	Interior Screw kits - 56 - 158 pcs.....	33.00
ITSK57	Interior Screw kits - 57 - 161 pcs.....	35.00

## WINDSHIELD KITS

+101	Inside Mirror to Header & Tensioning Screws - 5 pcs.....	1.97
+102	Visor Arm & Retainer to Header - 8 pcs .....	3.51
+103	Windshield Garnish Mouldings Inside to Windshield Frame - Does Not Include 101 or 102 - 21 pcs .....	5.50
103A	Dash End Trim to Dash - Includes 103 kit - 4 pcs .....	1.50
104	Front Latch Hook Plates to Windshield Header - Included in 103 Kit - 8 pcs .....	1.79
105	Outside Side Windshield Mouldings (03136 - 7) to Windshield Frame - 10 pcs .....	2.09
106	Windshield Pillar Weatherstrips (02626 & 02627) to Pillar - 8 pcs .....	1.75
107	Windshield Header Dowel Strikers to Header 8 pcs .....	2.05

## DOOR KITS

110A	Door Panels to Door 55/56 - 32 pcs.....	8.99
110B	Door Panels to Door - 57 - 30 pcs.....	8.99
+110C	Door Panels to Door W/O Clips - 55/56 - 12 pcs.....	2.25
+110D	Door Panels to Door W/O Clips - 57 - 10 pcs.....	2.00
+111	Door Garnish Plates (21144/5) to Doors - 4 pcs .....	1.79
*112	Outside Door Handles to Door - 4 pcs .....	1.81
112A	Door Lock Assembly to Door - 14 pcs .....	4.75
112B	Door Push Buttons to Door Handles - 4 pcs .....	1.23
112C	Door Remotes to Doors - 6 pcs.....	5.55
112D	Manual Window Assys to Doors - 26 pcs.....	19.90
112E	Power Window Assys to Doors - 8 pcs.....	10.32
113	Door Garnish Mouldings (21172) to Garnish - 18pc.....	7.78
114	Door Glass Runs (21546) to Door Pillar - 12 pcs.....	2.70
114A	Door Pillars to Doors - 8 Pcs .....	2.25
114B	Window Rear Channels to Doors - 6 Pcs .....	1.22
114C	Upper & Lower Door Pillar Brackets - 24 Pcs .....	2.74
+115	Door Garnish (20906 - 7) to Doors - 8 pcs .....	1.80
115A	Door Garnish (20906 - 7) to Doors - Oversize Threads - 8 pcs .....	2.10
116	Door Moulding Spacers (21134 - 5) to Door - Includes 351802S Cup Washers - 24 pcs .....	4.75
116A	Door w/strip retainers (20572/3) to door - 57 - 4pcs.....	1.10
116B	Door Panel Retainers (21032 - 3) - 57 - 8 pcs .....	1.47
116C	Door Wiring Shields to Doors - 4 pcs .....	1.27
117	Arm Rests to Door Panels - 16 pcs.....	2.10
118	Door Hinge to Body and Door - 7 pcs - Use 4/Car.....	4.35
118A	Upper Window Stops to Doors - 12 pcs .....	2.35
118B	Lower Window Stop Brkts to Access Panels - 4 pcs.....	3.98
119	Door Access Plates to Doors - 12 pcs.....	3.45
119A	Outside Rear View Mirror to Door - 55 - 2 pcs .....	1.60
119B	Outside Rear View Mirror to Door - 56/57 - 2 pcs .....	1.15

All kits 1 per car except where noted

## SEAT KITS

+120	Seat Back Panel to Seat - 48 pcs.....	5.75
121	Power Seat Brackets to Floor - 8 pcs.....	1.55
122	Manual Seat Handle to Arm - 2 pcs.....	1.10
124A	Bolt kit for seatback stop - square head - 55.....	11.58
124B	Bolt kit for seatback stop - phillips head - 56/57.....	6.55

## OTHER INTERIOR KITS

130	Dimmer Switch to Plate & Plate to Floor - 8 pcs .....	1.75
+131	Vent Grilles Inside to Body - 8 pcs .....	1.61
131A	Air Deflector Scoops to Body - 6 pcs.....	1.55
131B	Side Vent Arm to Duct - 4 pcs - 2 Used/Car .....	4.95
+132	Step Plates to Body - 16 pcs.....	2.60
133	Firewall Cover to Firewall - 12 Original Pins .....	38.00
133X	Firewall Cover to Firewall - 12 Plastic Pins .....	6.95
133A	Pedal Assembly to Dash & Firewall - 7 pcs.....	5.50
134	Transmission Governor Cover to Floor Pan - 4 pc.....	1.26
+135	Quarter Trim Panels to Body - 20 pcs.....	2.85
136	Upper Back Panel Garnish Moulding (40408 - 9) To Body - 16 pcs.....	7.70
137	Rear Holddown Plates (50553) to Deck - 10 pc.....	2.90
138	Side Hold Down Plates to Body - 6 pcs.....	2.05
139	Kick Panel Retainers.....	1.15

## DASH & FIREWALL KITS

140	Accel. Pedal to Floorboard & Bracket to Firewall - 4 pcs ...	2.05
141	Fordomatic Brake Pedal to Pedal Arm - 2 pcs .....	1.95
141A	Emergency Brake Assy to Firewall - 4 pcs.....	1.03
141B	Emergency Brake Cable to Firewall - 2 pcs .....	1.17
142A	Heater Air Chamber (18471) to Firewal - 3 pcs.....	1.70
142B	Vacuum Wiper Motor to Body - 4 pcs.....	1.28
+143	Steering Column Trim 3A673 to Retainer - 4 pcs.....	1.70
143A	Steering Column Seal to Firewall - 9 pcs .....	2.30
143B	Turn Signal Switch To Column - 2 pcs.....	.99
+144	Instrument Cluster Trim to Dash - 57 - 7 pcs.....	2.30
144A	Dash Pad Retainer Straps to Dash - 12 pcs .....	2.02
144B	Cowl Braces to Dash & Firewall - 22 pcs .....	3.30
144C	Dash to Cowl & Door Pillars - 18 pcs .....	3.70
145	Speaker Cover to Dash - 8 pcs .....	1.38
145A	Radio Speaker to Dash - 4 pcs - Wingnuts .....	1.55
+146	Hood Release Cable Bracket to Dash - 4 pcs.....	1.80
146A	Hood Rel. Cable Retainer to Firewall - 6 pcs .....	1.75
147	Dash Trim to Dash & glove box grommet screw - 4 pcs ....	1.10
147A	Ashtray to Dash and Ashtray Door - 6 pcs .....	1.37
147B	Fuel & Temp gauge to dash 55/56 - 4 pcs.....	1.25
147C	Dash Instruments to Housing - 57 - 16 pcs .....	2.00
148	Glove Box to Dash - 6 pcs.....	1.32
148A	Glove Box Arms to Door - 4 pcs.....	1.43
148B	Glove Box Latch to Door - 4 pcs .....	1.70
148C	Glove Box Hinge to Door - 6 pcs.....	1.40
148D	Glove Box Latch & Guide Plate to Dash - 6 pcs.....	1.50
148E	Glove Box Hinge to Dash - 6 pcs .....	1.17
149A	Dimmer Switch Cover to Firewall - 4 pcs .....	1.22
149B	Dimmer Switch to Cover - 4 pcs.....	1.58

## HARDTOP KITS

150	Porthole Rings to Hardtop - 12 pcs .....	2.60
151	Hardtop Binding Joint Covrs to Hardtop - 6 pc.....	1.60
152	Hardtop Weatherstrip to Top - 63 pcs.....	7.65
153	Hardtop Edge Moulding to Top - 20 pcs.....	3.40
155A	Hardtop Front Clamps to Top - 8 pcs .....	2.95
155B	Hardtop Side Clamps to Top - 4 pcs.....	2.75
155C	Hardtop Rear Clamp Plates to Top - 8 pcs.....	2.50
156	Hardtop - screws for trim clips 51928 & 51930 .....	2.50

## SOFT TOP KITS

160	Soft Top Weatherstrip to Frame - 96 pcs.....	19.90
160A	Soft Top Weatherstrip to Frame W/O T - Bolts .....	9.40
161	Soft Top Front Header Trim to Frame - Includes 50374 & 50375 End Retainers - 22 pcs .....	22.65
161A	Soft Top Front Header Trim to Frame - Without 50374 & 50375 End Retainers - 20 pcs .....	10.00
162	Soft Top Bows to Frame - 16 pcs .....	2.00
163	Soft Top Fr Header Cntr Castings to Ends - 6 pcs .....	3.27
164	Soft Top Front Header End Castings to First Side Rails - 16 pcs .....	4.20
165A	Soft Top Front Clamps to Top - 8 pcs .....	4.49
165B	Soft Top Side Clamps to Top - 4 pcs .....	2.63
165C	Soft Top Rear Clamp Plates to Top - 8 pcs .....	3.85
166	Soft Top Binding Joint Covers to Top - 4 pcs.....	1.25
166A	Soft Top Rear Window Straps to Top - 6 pcs.....	4.89

\*INCLUDED IN EXTERIOR TRIM KIT - Pg 67



168	Soft Top Swing Bar Feet to Floor Pan - 12 pc.....	1.80
168A	Swing Bar Feet Halves to Each Other - 14 pcs.....	3.90

**TRUNK KITS**

170	Trunk Side Cardboards to Body - 57 - 13 pcs.....	2.15
171	Trunk Divider Board Screws - 55 - 5 pcs.....	1.55
172A	Trunk Latch Assembly to Trunk - 55/56 - 3 pcs.....	1.55
172B	Trunk Latch Assembly to Trunk - 57 - 4 pcs.....	1.95
173	Trunk Latch Striker to Body - 4 pcs.....	2.75
174	Trunk Lid to Hinges - 12 pcs.....	1.95

**BODY FRONT KITS**

200A	Grille to Body and Lower Moulding - Lower moulding to front deflector, front deflector to rear deflector, side deflectors and fenders w/Instructions - 55/56 - 103 pcs...	11.90
200B	Grille to Body and Front Deflector, Front deflector to ends and rear deflector, rear deflector to side deflectors, ends to side deflector and fenders - with Instructions - 57 - 151 pcs.....	16.45
200C	Grille at Top to Body (Included in 200A & 200B) - 6 pcs.....	2.10
200D	Center Rear Deflector Access Panel to Deflector - 3 pcs (Included in 200A&B).....	1.10
201	Side Grille Mouldings to Body - 10 pcs.....	2.80
202A	Upper Grille Moulding to Body - 55/56 - 18 pcs.....	6.65
202B	Upper Grille Moulding to Body - 57 - 18 pcs.....	7.31
203	Headlamp Door to Bucket - 2 pcs.....	4.78
*205	Nameplate (8259) to Front Panel - With Pad - 3 pcs.....	1.24
206A	Crossed Flags - Front & Rear - 55 - 4 pcs.....	1.55
207	Y - Block Emblems - 55 - 4 pcs.....	1.55

**LAMP KITS**

210A	Park Lamp Lenses to Lamp Body - 55/56 - 6 pcs.....	2.85
210B	Parking Lamp Lenses to Lamp Body - 57 - 4 pcs.....	1.50
211A	Rear Lamp Lenses to Lamp Body - 55 - 6 pcs.....	7.10
211B	Rear Lamp Lenses to Lamp Body - 56 - 6 pcs.....	9.95
211C	Rear Lamp Lenses to Lamp Body - 57 - 8 pcs.....	2.45
212A	Backup Lamp Lenses to Lamp Body - 55 - 12 pcs.....	12.60
212B	Backup Lamp Lenses to Lamp Body - 56 - 4 pcs.....	5.90
212C	Backup Blockoff Plate to Quarter - 55 - 6 pcs.....	1.55
213	Headlamp Bucket to Fender and Retaining Ring to Bucket - 22 pcs.....	4.25
214	Parking Lamp Body to Bumpers - 57 - 12 pcs.....	1.80
215A	Rear Lamp Bodies to Quarters - 55/56 - 6 pcs.....	1.50
215B	Rear Lamp Housing to Quarter - 57 - 16 pcs.....	4.36
216B	Backup Housing to Rear Quarter - 56 - 12 pcs.....	3.53
217A	License Lamp Assy to Car - 55/56 - 2 pcs.....	1.10

**GLASS KITS**

220	Lower Windwing Hinges to Windwing Frames - 8 pcs.....	1.53
221	Door Glass Stainless to Channel Casting - 6 pcs.....	1.74

**SKIRT KITS**

230	Skirt Clips to Quarter Panel - 8 pcs.....	1.65
231	Skirt Trim (29164 - 5) to Skirts - 18 pcs.....	1.70

**BODY SIDES & HOOD KITS**

*240	Louver Trim to Front Fenders - 12 pcs.....	2.20
*241A	Thunderbird Scripts to Body - 55/56 - 8 pcs.....	2.60
241B	Thunderbird Scripts to Body - 57 - 10 pcs.....	2.90
*242	Crest Medallion (25666) - With Pad - 3 pcs. One Kit Needed for Each Medallion.....	1.25
243	Cowl Side Vent Door (Outside) To Hinge and Hinge to Fender - 12 pcs.....	1.98
244A	Hood Hinge to Bracket - 12 pcs.....	2.47
244B	Hood to Hood Hinges - 12 pcs.....	1.95
*245	Hood Emblem (16607) to Hood - Includes 16873 Spacers - 8 pcs.....	5.45
246	Hood Latch Pin Brackets to Hood - 12 pcs.....	1.95

**BODY REAR KITS**

*250	Trunk Handle (43500) to Insert and Deck Lid With Wedge Washers - 11 pcs.....	5.95
250A	Trunk Handle (43500) to Insert and Deck Lid Without Wedge Washers - 9 pcs.....	3.55
251A	Gas Filler Lid to Hinge and Hinge to Deck Lid 55/56 - 7 pcs.....	1.75
251B	Gas Filler Hinge to Lid & Body - 57 - 9 pcs.....	2.24
251C	Fuel Inlet Bracket to Filler Tube & Rear Quarter - 57 - 5 pcs.....	1.50
252A	Continental Kit - 56.....	5.40
252B	Cont. Kit Stone Guard (1352) to Mount - 12 pcs.....	1.75
253	License Plate Holder to Body - 55 - 6 pcs.....	1.50
253A	Lisc Plate to Holder Rear '55.....	2.60

**EXHAUST KITS**

260A	Exhaust Deflectors to Bumper - 56 - 22 pcs.....	7.40
260B	Exhaust Deflectors (5202) to Bumper - 57 - 12 pcs.....	26.30
261A	Rear Exhaust Hangers to Bumperettes - 55 - 6 pcs.....	1.78
262	Exhaust brackets (5205/7) to Frame,56/57 16 pcs.....	4.05

**ENGINE AND ENGINE COMPARTMENT KITS**

300	Flywheel Damper to Crankshaft - 4 pcs.....	9.47
301	Hood Pad (drive nails) to Body - 9 pcs.....	6.49
302	Hood Locks (16700 - 1) - Original Nuts - 8 pcs.....	2.15
302A	Washers - Between Hood Locks & Firewall - 8 pc.....	2.70
303	Muffler Inlet Pipes to Exhaust Manifolds - 12 pcs - With Brass Nuts.....	15.90
304	Exhaust Manifolds to Heads - 28 pcs.....	5.80
305A	Oil Pan to Block - 55/56 - 46 pcs.....	16.15
305B	Oil Pan to Block - 57 - 42 pcs.....	17.55
306	Vent Tube Opening Cover (6869) to Block - 4 pcs.....	1.80
306A	Downdraft Tube to Engine - 3 pcs.....	1.76
307	Front Engine Support Insulator to Frame - 11 pcs.....	8.50
307B	Rear Transmission Mount to Frame - 6 pcs.....	2.70
307C	Rear Transmission Brace to Frame - 18 pcs.....	2.90
308	Engine Steady Rest Brackets to Block - 8 pcs.....	3.75
309	Water Outlet Connector (8592) and By - Pass Tube (8548) to Manifold and Water Pump - 8 pcs.....	2.31
310	Starter to Bell Housing - 6 pcs.....	1.75
311	Ignition Cable Brackets to Engine - 8 pcs.....	2.90
311A	Coil Bracket to Manifold - 4 pcs.....	2.38
311B	Distributor Retaining Clip to Block - 2 pcs.....	1.60
311C	Tach Cable Clip to Distributor - 2 pcs.....	1.45
312	Starter Solenoid to Firewall or Horn Relay to Apron -2 pcs.....	1.15
313	Apron Shields (16050) to Apron - 8 pcs.....	2.85
314	Lower Splash Shield to Apron - 12 pcs.....	5.40
315A	Battery Box to Apron and Firewall - 55 - 12 pc.....	2.30
315B	Battery Support to Apron and Shield to Support - 56/57 - 26 pcs.....	5.35
316	Master Cylinder Inst kit - 8 pcs.....	3.27
317	Ground Straps - Engine & Batt to Firewall - 57.....	1.15
318	Brake Booster Bracket to Apron - 12 pcs.....	2.35
318A	Power Brake Booster to Bracket - 4 pcs.....	1.45
318B	Fuel Pump to Timing Cover - 4 pcs.....	1.93
318C	Fuel Pump Diaphragms - Screws & L/W - 36 pcs.....	4.45
319	Intake Manifold to Heads - 21 pcs.....	8.95
319A	Carb to Intake - Nuts & Washers - 55/56 - 8 pcs.....	1.75
319B	Carb to Intake - Nuts & Washers - 57.....	17.70
319C	Choke Assy to Intake Manifold - 55 - 6 pcs.....	3.55
319D	Dashpot bracket (9B550) to Carb - 2 pcs.....	1.85
320K	Aluminum Rocker Arm Covers to Heads - Includes Chrome Washers, Acorn Nuts & Long Studs - 12 pcs.....	41.46
320A	Same as 320K No Studs (Nuts & Washers) - 8 pcs.....	34.00
320B	Same as 320A No Acorn Nuts(Washers Only) - 4 pcs.....	6.06
320C	Same as 320 Without Studs or Washers (Nuts Only) - 4 pcs.....	26.30
322A	Junction Blocks to Apron 55/56 - 4 pcs.....	1.50
322B	Electrical Junction Block to Apron - 57 - 2 pc.....	1.35
322C	Voltage Regulator to Apron - 3 pcs.....	1.36
322D	Wiring Grom Retainer (14608) to Firewal - 2 pcs.....	1.19
323	Washer Bag Holder (17651) and Lower Plate - to Apron - 4 pcs.....	1.25
323A	Heater Hose Bracket (18481) to Apron - 2 pcs.....	1.19
323B	Air Control Brackets (01822) to Apron - 4 pc.....	1.25
324A	Upper Fan Shroud to Radiator - 56/57 - 8 pcs.....	6.35
324B	Upper Fan Shroud to Lower and Lower to Bracket - 56/57 - 10 pcs.....	6.35
324C	Radiator to Radiator Frame - 56/57 - 4 pcs.....	5.77
324D	Radiator Frame to Body - 18 pcs.....	2.25
324E	Upper Fan Shroud to Lower - 55 - 25 pcs.....	3.30
324F	Radiator to Radiator Frame - 55 - 12 pcs.....	2.25
324G	Upper Fan Shroud to Radiator - 55 - 20 pcs.....	3.05
324H	Lower Fan Shroud Bracket to Shroud & Radiator Bracket - 55 - 7 pcs.....	2.15
324I	Lower Fan Shroud Bracket to Shroud & Radiator Bracket - 56/57 - 5 pcs.....	2.77
325	Fan to Water Pump - 8 pcs.....	4.45
326A	Water Pump to Engine W/O Powr Strng - 8 pcs.....	3.35
326B	Water Pump to Engine W/ Powr Steering - 8 pc.....	3.35
327	Generator to Generator Bracket - 6 pcs.....	3.00
330	Horn Brackets to Body - 12 pcs.....	2.53
331	Heater Blower Assembly to Apron - 6 pcs.....	1.86
331A	18584A Tie Strap to Duct & Housing - 2 pcs.....	1.55
332	Heater Blowr Support Plate to Housing - 5 pc.....	1.15
333	Heater Core to Housing, Housing & Inner Heater Box to Firewall - 14 pcs.....	3.01
335A	Accelerator Bellcrank to Intake Manifold - 4 pcs.....	1.75
335B	Fordomatic Kickdown to Bellcrank - 57 - 4 pcs.....	1.79

All kits 1 per car except where noted

Tech help: (740) 622-9700



sales@ClassicTBird.com

# HARDWARE KITS

## UNDER FENDER KITS

350	Lower Rear Splash Panels to Aprons, Upper Shields and Fenders - 56/57 - 30 pcs .....	5.35
351	Fender Support Brackets to Aprons and Fenders - 12 pcs .....	4.50
352	Side Vent Spacer Duct to Aprons and Fenders - 36 pcs .....	4.00
353	Steel Air Ducts to Scoops and Aprons - 63 pcs.....	8.85
354	Fiberglass Air Ducts to Scoops and Aprons - 110 pcs.....	19.20

## CHASSIS KITS

400A	Body to Frame W/O J - Nuts - 55 - 42 pcs .....	33.00
400B	Body to Frame W/O J - Nuts - 56 - 48 pcs .....	38.55
400C	Body to Frame W/O J - Nuts - 57 - 56 pcs .....	29.85
400D	Body to Frame J - Nuts Only - All Years - 10 pcs .....	43.00
400E	Body to Frame Rubber Bumpers & Clips - 20 pcs .....	35.75
401	Upper A Frame Arms to Frame - 12 pcs.....	5.65
402A	A - Frame Arm Bumpers to A - Frames - 8 pcs.....	1.65
402K	Lower A Frame Arms to Frame - 12 pcs .....	127.00
403	Front Shock Lower Mounting Plate to Lower A Frame - 8 pcs .....	2.75
404	Rear Spring U Bolt Nuts - 4 pcs - 2 Kits/Car .....	9.75
404A	Rear Spring Perch to Frame - 18 pcs.....	7.30
404B	Rear Axle Bumper to Frame - 4 pcs .....	2.50
405	Radiator Support Bracket to Frame - 6 pcs.....	10.95
406A	Front Bumper Braces to Frame - 55/56 - 16 pcs.....	8.75
406B	Front Bumper Braces to Frame - 57 - 44 pcs.....	10.55
406C	Front Upper Bumpers to Lower Bumper - 57 - 32 pcs .....	6.45
406D	17763 Spacer to Fender & Braces - 57 - 40 pcs .....	4.75
407A	Rear Bumper Braces to Frame - 55 - 16 pcs .....	7.65
407B	Rear Bumper Braces to Frame - 56 - 42 pcs .....	7.71
407C	Rear Upper Bumpers to Lower and Center to Ends - 56 - 26 pcs .....	5.15
407D	Rear Bumper Braces to Frame - 57 - 36 pcs .....	15.00
407E	Rear Upper Bumper to Lower - 57 - 56 pcs .....	10.61
407F	Bumperette Centers to Bumperette - 55 - 24 pcs.....	2.70
407G	Bumperette Centers to Bumperette - 56 - 12 pcs.....	1.90
17758B5	Front & Rear Bumpers to Braces - 55 - 48 pcs .....	23.25
17758BC5	Bumper bolt kit - concours correct - 55 .....	67.00
17758B6	Front & Rear Bumpers to Braces - 56 - 56 pcs .....	23.25
17758BC6	Bumper bolt kit - concours correct - 56 .....	78.00
17758B7	Front & Rear Bumpers to Braces - 57 - 24 pcs .....	11.20
17758BC7	Bumper bolt kit - concours correct 57.....	44.00
408	Front Hub to Spindle - 6 pcs.....	23.69
409	Rear Brake Pipe Connector to Axle Housing - 55/56 - 4 pcs.....	2.13
411B	Backing Plate to Rear Axle Housing - 57 - 16 pcs.....	78.00
412	Wheel Cylinders to Backing Plates - 16 pcs.....	5.25
413	Stabilizer Arm Brackets (5486) to Frame - 12 pcs.....	3.45
414	Steering Box to Frame .....	4.25
415A	Idle Arm Bracket to Frame - P/S - 8 pcs.....	4.95
415B	Idle Arm Bracket to Frame - M/S - 6 pcs .....	4.95
415C	Idle Arm to Bushings - Power Steering - 6 pcs.....	3.95
415D	P/S Idle Arm Brkt crush nut & bolt.....	4.60
416	Upper Ball Joints to Upper A Arms - 16 pcs .....	4.07
417	Lower Ball Joints to Lower A Arms - 12 pcs .....	7.27
418	Ball Joint Cotter Pins - 4 pcs .....	1.10
419A	Drag link sleeve clamps - 8 pcs.....	4.40
419B	Tie rod ends nuts & cotter pins - 8 pcs.....	17.50
430	Fuel Sending Unit to Tank - 55/56 - 7 pcs .....	1.78
431	Fuel Tank Straps to Retaining Bolts - 4 pcs .....	2.09

## TRANSMISSION & DIFFERENTIAL KITS

501	Rear Axle Housing Cover - 55/56 - 20 pcs.....	8.80
502	Universal Joint U Bolt - Nuts & Lock Washers 8 pcs - Need 1/ Universal Joint .....	1.60
503	Convtr hsg cover (7985) to housing - 8 pcs .....	2.95
504	Fordomatic Pan to Case - 28 pcs.....	11.80
505	Rear Engine Mount to Frame and Transmission - 12 pcs .....	3.55
510	F/M Shift & Kickdown Rods to Trans - 6 pcs.....	6.50
515	Fordomatic Shifter to Neutral Switch - 5 pcs.....	1.60

## GENERAL KITS

800	Data Plate to Firewall - 2 pcs .....	6.00
900	Staples - Like Original for Seals and Weatherstrip - Pkg 50.....	13.00
900A	Staples - as 900 but Pkg 12 Only.....	3.00

All kits 1 per car except where noted

## SIGN UP FOR OUR FREE EMAIL NEWSLETTER!

CASCO's email newsletter is sent out approximately once a month to those who have requested to receive it. It contains shop tips, specials, and articles that we think our customers may find interesting. Rest assured, we use your email address for this newsletter only and do not give it out to others.

To register for our newsletter, visit web site at ClassicTBird.com and click on the link to "Sign up for our E-mail Newsletter" or just tell us when you call in for your next order and we can sign you up.

**ELECTRIC FUEL PUMP** - These are installed on T-Birds to help eliminate starting problems and we are seeing more & more T-Birds with electric pumps installed as a backup to the mechanical pump. Our electric fuel pump kits are available in both 6 & 12 volt and include custom designed brackets, on - off switch, wiring, hardware and complete instructions (see page 28).



6volt 9350E6  
12volt 9350E12  
9350E12 ..... 148.00  
9350E6 ..... N/A

## ELECTRIC FAN KIT

The Classic Thunderbirds have a tendency to overheat particularly in parade situations. Newly redesigned for more air flow, adjustable thermostat, and lower price. Features high output 16" S - blade fan, powder coated mounting brackets, adjustable thermostat, and original looking paper and cotton braided wiring harness. Mounts in front of the radiator.



8600C-12V Electric Fan Kit - Includes Adjustable Thermostat, Wiring Harness, Switch & Installation Instructions - 12 volt..... 275.45  
8600C-6V Electric Fan Kit - 6 volt ..... 286.85



**FIRE EXTINGUISHER** C.T.C.I. Concours rules require that each car must have a Class II or larger USCG approved and U/L rated fire extinguisher. We offer this 2 1/2# dry chemical which exceeds the requirements in every way. This is a top quality extinguisher with metal head allowing recharge. With gauge and mounting bracket.

FIREEXT ..... 95.00

13350M Flasher - Musical Turn Indicator - Plays tune of "Love Me Tender" - 12v..... 18.35

## ★ T-BIRD FACTS

□ '55's were not available with porthole hardtops. In '56 the porthole top was offered as an option at additional cost. In '57 the porthole top was standard but it was available without the porthole at no additional cost.

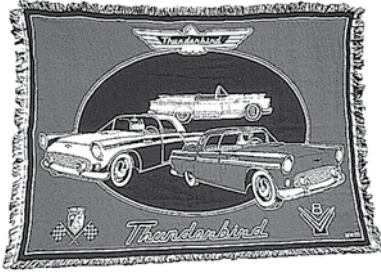
□ A crest emblem was used on each side of the '55 hardtop and a round T-Bird emblem was used on the non - porthole '57 hardtops. No emblems were used on '56 tops or any porthole top.

□ The battery in all T-Birds is installed with the positive terminal forward.

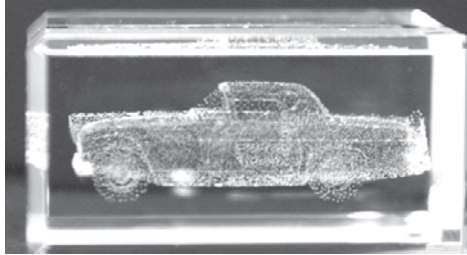
# THUNDERBIRD MEMORABILIA

## THUNDERBIRD AFGHAN

CASCO is proud to offer a beautiful 66" x 48" afghan or coverlet depicting all three Little Birds. This heavy 2 1/2 layer all cotton throw is perfect for any home decor. Woven with antique white, black, and berry red.



COVERLET 55-57 Coverlet - Cotton.....65.00



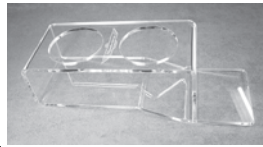
## CRYSTAL PAPERWEIGHTS

These paperweights have the Thunderbird laser - etched in the center of the crystal, giving a very nice 3 - D effect. Available while supplies last in all three model years. Size is 2 x 2 x 3 1/8". Gift boxed.

PW - 55 Crystal 1955 Thunderbird paperweight ..... 60.00  
 PW - 56 Crystal 1956 Thunderbird paperweight ..... 60.00  
 PW - 57 Crystal 1957 Thunderbird paperweight ..... 60.00

## ACRYLIC DRINK CADDIE

If you drive your Bird you will really appreciate this classy drink holder. It is made of clear acrylic and sports a Thunderbird logo in the center. It is specially designed to slip between the floor and the seat on the hump.



DCADDIE .....38.95



## BIRDS IN PARADISE SHIRTS

This T-shirt features a colorful parrot overlooking a sunset scene with all three years of the Classic Thunderbird. The artwork by local artist Adam Laudick. Available in both mens and womens sizes. Mens in light blue and ladies shirt in berry.

\*\*Ladies sizes run about a size smaller than normal\*\*

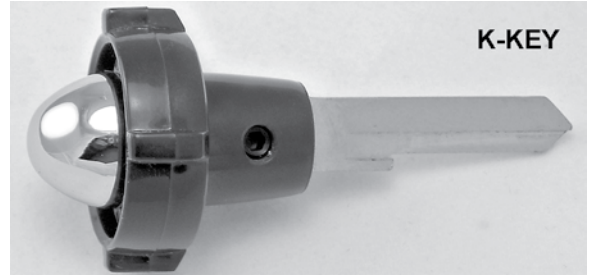
BIPW M Ladies berry color size Medium .....20.00  
 BIPW L Ladies berry color size Large .....20.00  
 BIPW XL Ladies berry color size XL.....20.00  
 BIPW XXL Ladies berry color size XXL.....20.00  
 BIPM S Mens light blue color size Small.....20.00  
 BIPM M Mens light blue color size Medium .....20.00  
 BIPM L Mens light blue color size Large.....20.00  
 BIPM XL Mens light blue color size XL.....20.00  
 BIPM XXL Mens light blue color size XXL .....20.00



LOGO IS BAKED-ON SATIN



**THUNDERBIRD GLASSWARE** Satin finish Thunderbird logo is screened and fired for durability. Dishwasher safe.  
 GL10 Glass Goblet - 10oz - T-Bird Logo - Set of 4 .....25.70  
 GL2 Shot Glass - 2oz - T-Bird Logo - Sold Each .....2.50



**THE T-Bird DASH KNOB KEY** - The finishing touch for your dash. A hide - a - key trick from the 50's. The knob is like the other dash knobs but it has been modified to hold an ignition key blank (included). Key blank does not have to be removed from the knob to be cut. Fits all 55-57 T-Birds. K-KEY.....17.50

**CASCO GIFT CERTIFICATES**  
 AVAILABLE IN ANY DENOMINATION

## Lithograph Prints

Years ago, CASCO commissioned automotive artist David Snyder to do two paintings featuring all three years of the Classic Thunderbird. Mr. Snyder painted Dairy Freeze and Club Picnic. Limited edition, signed and numbered, printed on 18" x 24" acid free 80# stock.  
 ClubPic ..... 60.00

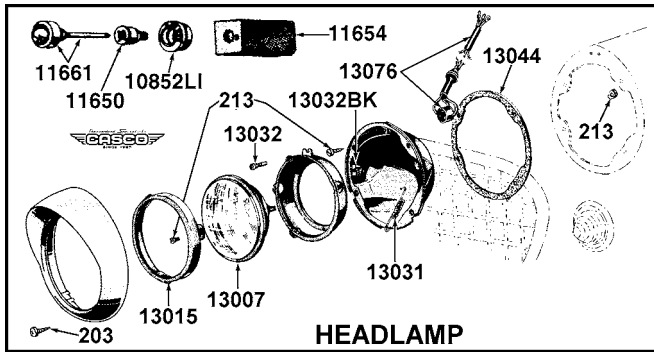


Joining Classic Thunderbird Club International or a local Thunderbird club is a great way to enhance your Thunderbird enjoyment. CTCI's bi-monthly "Early Bird" magazine alone is worth the cost of membership. For more information, go to [www.ctci.org](http://www.ctci.org) or follow the QR code:





# ELECTRICAL - LAMPS & BODY



## HEADLAMP

7A200	Wire Harness - Overdrive.....	32.25
11650A	Nut - Headlamp Switch Retaining - 55/56.....	14.60
11650B	Nut - Headlamp Switch Retaining - 57.....	14.95
11654A	Switch - Light Control - 55 - 6V.....	61.50
11654AP	Kit - Park lights on w/ headlamps - 55.....	9.95
11654B	Switch - Light Control - 56/57.....	54.85
11654BP	Kit - Park lights on w/ headlamps - 56/57.....	9.95
11661A	Knob & Shaft - Light Control - 55/56 - Original.....	20.95
11661B	Knob & Shaft - Light Control - 57 - Original.....	20.95
13007A	Bulb - Headlamp - 6V - 55 - FoMoCo Script.....	22.60
13007B	Bulb - Headlamp - 12 Volt - 56/57 - Has FoMoCo Script Etched onto the Glass.....	17.50
13007H	Bulb - Headlamp - 12 Volt - Halogen.....	17.00

13008A

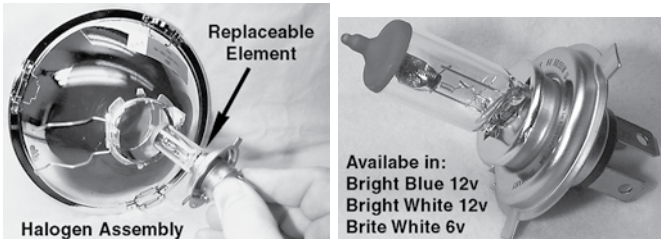


13008T



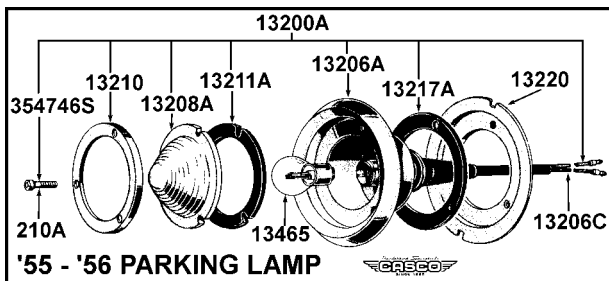
13008A	Retainer Clip for Headlamp Door - Lower.....	7.90
13008T	Retaining Clip for Headlamp - attaches to top of headlamp bucket with pop rivets (included).....	9.95
13015	Ring - Headlamp Retaining.....	19.45

## HIGH PERFORMANCE HALOGEN CONVERSION HEADLAMP



Delivering the maximum in lighting performance, these assemblies use replaceable halogen inserts and a highly polished metal reflector. This halogen alternative is not only brighter than sealed beam halogens, they also have advanced optics that provide more uniform, controlled illumination of the road. This means better visibility, less driver fatigue and greater safety in all nighttime driving conditions. Available in 12 volt is the bright blue lighting technology seen on many new vehicles. . Bright white headlamps available in 12 & 6V

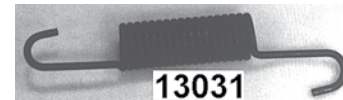
13007BH	Bright Blue Halogen Headlamps, pair, 12V.....	162.00
13007BE	Replacement bright blue element, 12V.....	23.25
13007WH	Bright White Halogen Headlamps, pair, 12V.....	79.00
13007WE	Replacement bright white element, 12V.....	8.50
13007WH6	Bright White Halogen Headlamps, pair, 6V.....	99.50
13007WE6	Replacement bright white element 6v.....	17.25



## '55 - '56 PARKING LAMP

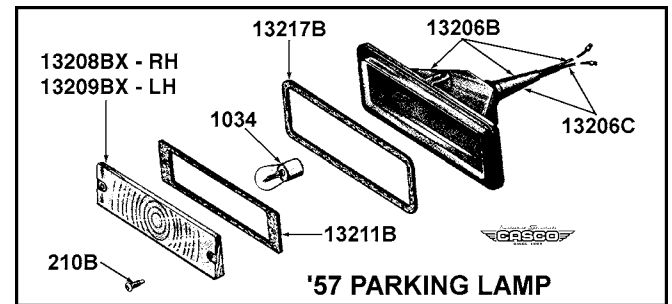


13A024A	Switch - Headlamp Dimmer - 55/56.....	32.50
13A024B	Switch - Headlamp Dimmer - 57.....	44.85



13031

13031	Spring Headlamp Bucket 4 needed per car.....	2.46
13032	Screw - Headlamp Adjusting 4 needed per car.....	39
13032BK	Nut for headlight adjustment - with bracket & pop rivit. Stainless steel - 4 needed per car.....	7.50
#13044	Gasket - Headlamp Bucket to Fender.....	3.77
13064R	Headlamp door REPAIR KIT. Kit to repair broken prong on top inside of headlamp door. Includes clip, adhesive & instructions (repairs one side)....	12.00
13076	Wiring - Headlamp - 55/56 & 57 LH.....	29.95
13076B	Headlamp Wire Set - Both Sides - 57.....	56.95

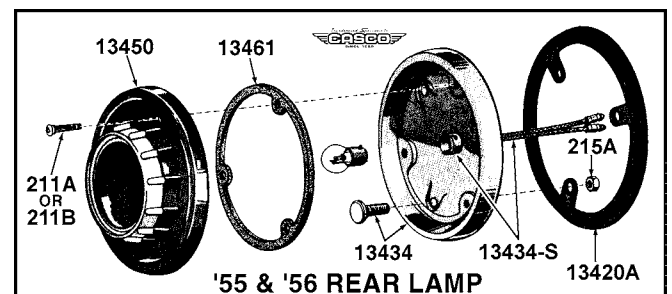


## '57 PARKING LAMP

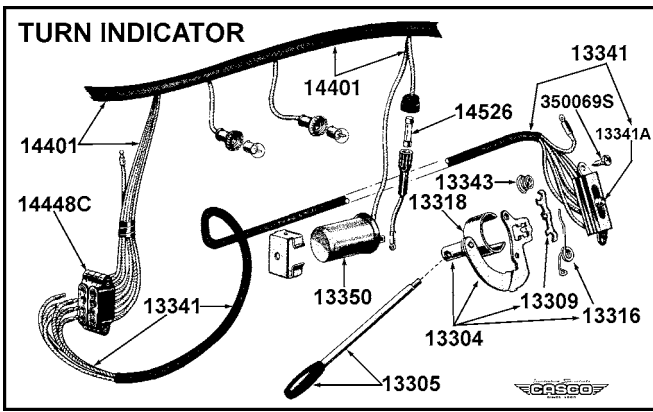
### PARK LAMP ASSEMBLY KIT

13200AK	Park Lamp Assy. 55 - 56 SAVE \$2.00 2/car.....	112.26
57 Kits Include Replacement Lenses Without FoMoCo:		
13200BK	Park Lamp Assy. - RH - 57.YOU SAVE \$2.00.....	91.40
13200CK	Park Lamp Assy. - LH - 57.YOU SAVE \$2.00.....	91.40

13206A	Body - Parking Lamp - W/Socket & Wires - 55/56 - With FoMoCo Logo.....	86.95
13206AX	Body - Parking Lamp - W/Socket & Wires - 55/56 - Does Not Have FoMoCo Logo.....	51.50
13206B	Body - Parking Lamp - w/Socket & Wires - 57.....	67.00
13206C	Socket and Wire - Park Lamp - With End Connectors - Replacement - 55/57.....	10.45
13206C-556	Socket and Wire - Park Lamp - With Correct Wire & Ends - 55/56.....	25.95
13206C-57	Socket and Wire - Park Lamp - With Correct Wire & Ends - 57.....	22.20
13206N	Push Nut for socket retainer.....	2.85
13208A	Lens - Parking Lamp - 55/56 - FoMoCo Logo.....	7.95
210A	HWK -Park Lamp Lenses to Lamp Body 55/56 -6 pcs....	2.85
13208B	Lens - Parking Lamp - 57 - RH - FoMoCo Logo ...	14.50
13208BX	Lens - Parking Lamp - 57 - RH - No FoMoCo.....	11.99
13209BX	Lens - Parking Lamp - 57 - LH - No FoMoCo.....	11.99
210B	HWK -Parking Lamp Lenses to Lamp Body -57 -4 pcs... 1.50	
13210	Retainer - Park Lamp Lens - 55/56.....	11.50
#13211A	Gasket - Parking Lamp Lens - 55/56.....	2.21
#13211B	Gasket - Parking Lamp Lens - 57.....	2.16
#13217A	Pad - Parking Lamp Body to Fender - 55/56.....	4.15



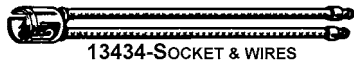
## '55 & '56 REAR LAMP



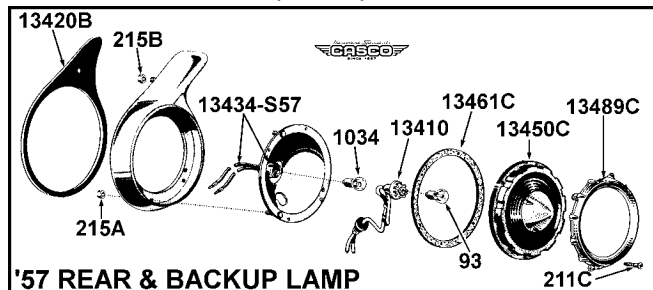
- 13304A Plate Assy - Turn Indctr Switch - 55 - includes 13309 & 13316.....53.65
- 13304B Plate Assy - Turn Indctr Switch - 56/7 - includes 13309 & 13316.....56.72



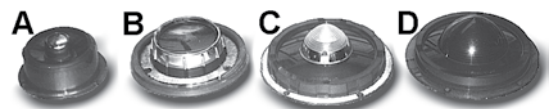
- 13305A Turn Signal Handle - Black Plastic End - 55 ..... 15.25
- 13305B Turn Signal Handle - Black Plastic End - 56/57 .... 16.55
- 13309 Pawl - Turn Indicator Switch Plate ..... 5.95
- 13316 Spring - Turn Indicator Switch Pawl ..... 7.59
- 13318 Cam - Turn Signal Canceling - Goes on Bottom of the Steering Wheel ..... 11.45
- 13341 Turn Signal Switch Assy (does not require 13341A sleeve)..... 110.50
- 13341A Sleeve Kit to Make Stud on *Original* 13341 Work Properly on 55/57 T-Birds ..... 2.05
- 13343 Spring - Conical - Turn Signal Attaching ..... 3.10
- 13350A Flasher - 6 volt ..... 15.35
- 13350AE Flasher - Electronic Replmnt - 6 v pos ground (comes standard in 13450ALED6 kit) ..... 34.95
- 13350B Flasher - Turn Indicator - 56/57 ..... 6.49
- 13350LED Electronic Flasher & 2 front parking lamp LED bulbs 12v (for 55 12v or 56/57) ..... 68.95
- 13350M Flasher - Musical Turn Indicator - Plays tune of "Love Me Tender" - 12v ..... 18.35
- 13350HAZ 4-Way Emergency Hazard Flasher kit - 12v..... 181.00
- 13410 Socket and Wire - 57 backup ..... 23.15
- 13411A Socket & Wire - backup lamp - 55/56..... 17.30
- 13412A Socket and Wire - Rear License Lamp - 57 ..... 11.95
- #13420A Pad - Rear Lamp Mounting - 55/56..... 6.25
- #13420B Pad - Rear Lamp Mounting - 57 ..... 3.97
- 13423A Retainer - License Lamp Lens - 55/56..... 19.52
- 13434A Tail Lamp Housing & Socket - Chrome - 55 ..... 48.80
- 13434B Tail Lamp Housing & Socket - Chrome - 56 ..... 47.46



- 13434-S55 Socket & Wires - Tail Lamp Housing - 55..... 17.20
- 13434-S56 Socket & Wires - Tail Lamp Housing - 56..... 18.60
- 13434-S57 Socket & Wires - Tail Lamp Housing - 57..... 15.50
- 13437 Reflector - Backup housing - 56 - each..... 5.80
- 13437POP Eye popping LED light for behind the 56 reflector in the backup housing - aftermarket addition for more visibility & safety - sold as set ..... 129.00



'57 REAR & BACKUP LAMP



- 13450A Lens - Rear Lamp w/ Ford script - 55..... 26.50
- 13450AX Lens - Rear Lamp - 55 - Replacement..... 16.60
- 211A HWK -Rear Lamp Lenses to Lamp Body - 55 - 6 pcs ..... 7.10
- 13450B Lens - Rear Lamp - 56 - FoMoCo Logo ..... 38.00
- 211B HWK -Rear Lamp Lenses to Lamp Body - 56 - 6 pcs ..... 9.95

**1955 - 1956 - 1957 LED TAIL LAMP SETS**

All styles include a PAIR of LED assemblies, instructions, and new gaskets. The 1955 assemblies replace your original lens. 1955 6vlt includes electronic flasher and front LED bulbs. The 1956 and 1957 kits replace only your bulb and flasher.



- 13450ALED6 Lens - Rear Lamps - with Integral LED Assy 55 - 6v Kit includes Front LED, electronic flasher, Gaskets and Instructions..... 179.95
- 13450ALED12 Lens - Rear Lamps - with Integral LED Assy 55 - 12v with Gaskets and Instructions..... 139.95

**'56 and '57 STYLE AVAILABLE IN STANDARD OR SEQUENTIAL**

The 56 and 57 style LEDs simply replace your original bulb with a 135 LED board and uses your original lens. Sequential flashing turn signal starts in the center and adds concentric rings of leds. 1957 style is compatible with original backup lamps.

- 13456LA 56 Rear LED Bulbs - Standard Flash with Gaskets, Instructions and Electronic Flasher..... 169.95
- 13456LB 56 Rear LED Bulbs - Sequential Flash with Gaskets, Instructions and Electronic Flasher..... 169.95
- 13466LA 57 Rear LED Bulbs - Standard Flash with Gaskets, Instructions and Electronic Flasher..... 169.95
- 13466LB 57 Rear LED Bulbs - Sequential Flash with Gaskets, Instructions and Electronic Flasher..... 169.95

- 13450C Lens - Rear Lamp - 57 - FoMoCo Logo w/backup 51.95
- 13450CX Lens - Rear Lamp - 57 w/backup - Replacement.. 44.95
- 13450DX Lens - Rear Lamp - 57 w/o Backup - Replmnt ..... 38.50
- 211C HWK -Rear Lamp Lenses to Lamp Body - 57 - 8 pcs ..... 2.45

- #13461A Gasket - Tail Lite Lens - 55..... 2.70
- #13461B Gasket - Tail Lite Lens - 56..... 2.69
- #13461C Gasket - Tail Lite Lens - 57..... 4.30



"The only foundation of real business is service."

HENRY FORD Inventor, Industrialist



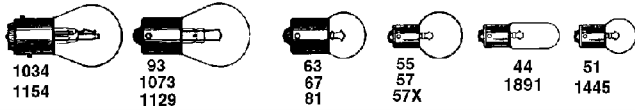
Tech help: (740) 622-9700

sales@ClassicTBird.com



# ELECTRICAL - LAMPS & BODY

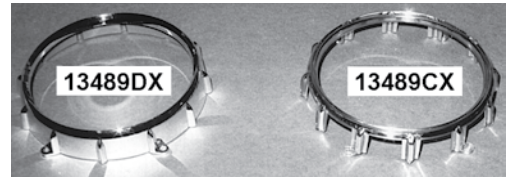
- #13217B Pad - Parking Lamp Body to Bumper - 57 .....2.27  
 13220 Retainer - Park Lamp Assembly - 55/56 .....20.95



- 13467H Extra wiring harness for third brake light .....29.95  
 13480 Switch - Stoplight ..... 11.15

## MECHANICAL BRAKELIGHT SWITCH

This switch will allow you to activate the brake lights with just a touch of the pedal. It mounts out of sight below the dash. Stock appearance is maintained. Kit comes with switch, special brackets & instructions.  
 13480MK Mechanical Brakelight switch kit .....33.95



- 13489CX Sleeve - Rr Lamp Lens - 57 - W/Backup Repl .....29.30  
 13489DX Sleeve - Rr Lamp Lens - 57 - W/O Backup Repl ...29.30

## BULB RESERVE KITS

Keep In Your Glove Box For Emergencies

- 13465-6A 55 - One Each - 1154,1129,55,81,51,63,44 .....23.00  
 13465-6B 56 - One Each - 1034,1073,57,67,1445 ..... 14.00  
 13465-6C 57 - One Each - 1034,93,57,67,1445,1891 .....17.25

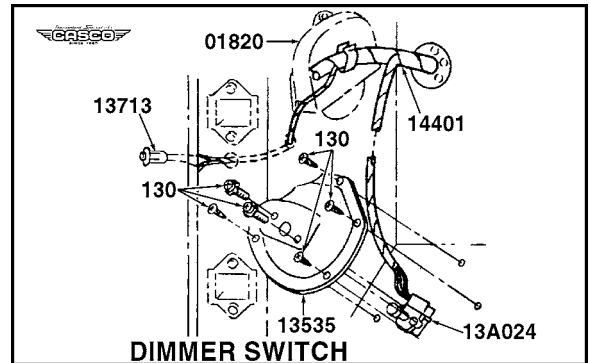
## COMPLETE BULB KITS

All Required for Entire Car Except 13007

- 13465-6D Bulb Kit - Complete - 55 - 24 Pcs .....57.45  
 13465-6E Bulb Kit - Complete - 56 - 24 Pcs .....37.00  
 13465-6F Bulb Kit - Complete - 57 - 27 Pcs .....40.34

## Bulbs Also Sold Separately (ORDER BY TYPE# BELOW)

Location	Year	Type#	
Backup.....	55	1129	4.14
	56	1073	2.58
	57	93	2.38
Courtesy .....	55	81	2.24
	56/57	67	1.37
HiBeam.....	55	55	1.89
	56/57	57	1.16
Instr.Pnl.....	55	55	1.89
	56/57	57	1.16
License .....	55	63	2.33
	56/57	67	1.37
Oil & Chg.....	55	51	1.84
	56/57	57	1.16
Parking .....	55	1154	3.44
	56/57	1034	2.42
Rear.....	55	1154	3.44
	56/57	1034	2.42
Transmission .....	55	51	1.84
	56/57	1445	1.81
Turn Sig.Ind.....	55	51	1.84
	56/57	57	1.16
Radio .....	55	44	2.30
	56/57	1891	1.63



- 13535 Attaching Cover Plate - Headlamp Dimmer Switch - Steel .....49.95

## LICENSE LAMP ASSEMBLY KIT WITH BULBS

- 13550AK License Lamp Assy. - Complete With Bulbs - 55..YOU SAVE \$2.00 .....78.64  
 13550BK License Lamp Assy. - Complete With Bulbs - 56..YOU SAVE \$2.00 .....76.72  
 13550CK License Lamp Assy. - Complete With Bulb - 57..YOU SAVE \$2.00 .....78.00



## THIRD BRAKE LIGHT FOR MORE SAFETY

CASCO is proud to announce that we have designed a wonderful LED third brake light for use on your classic T-Bird. This lamp adds a level of visibility which increases the safe operation of your classic car. The unique design allows TEMPORARY and semi - permanent installation without permanent changes to your vehicle. In fact if you purchase extra wiring harnesses, you are seconds away from moving your lamp assembly to any of your classic cars!

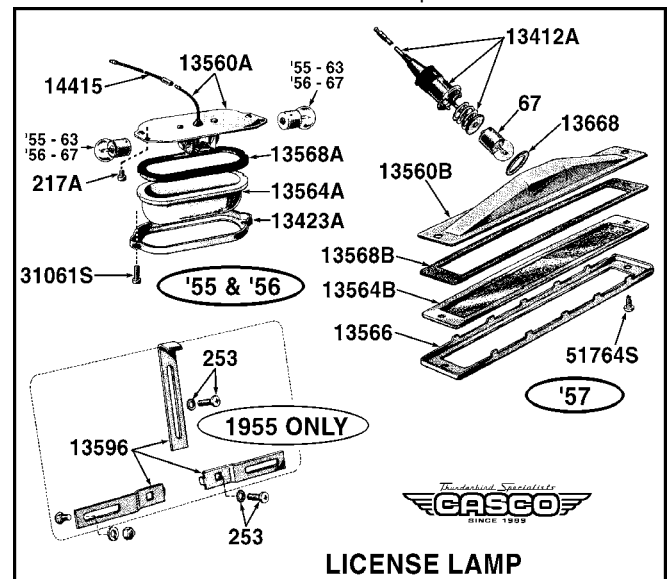
Fastens to the rear of your trunk lid with either suction cups or double sided foam tape.

The supplied wiring harness taps into your car's stoplight circuit without cutting or splicing your original wiring. Lamp module is shipped in primer. You paint to match/coordinate with your vehicle's. Kit includes LED module, wiring harness, suction cups, double sided foam tape, and instructions.



- 13467A Third brake light LED w/ Wiring - 12V .....139.95  
 13467A6 Third brake light LED w/ Wiring - 6V .....168.00

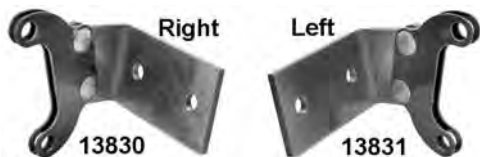
- 13560A Body - Rear License Lamp - 2 Bulb - 55/56 .....34.45  
 13560B Body - Rear License Lamp - 57 .....28.15  
 13564A Lens - Rear License Lamp - Glass - 55/56 .....17.95  
 13564B Lens - Rear License Lamp - 57 .....14.95  
 13566 Retainer - Rear License Lamp - Chrome - 57 .....20.15



## LICENSE LAMP



- 13568A Gasket - License Lamp Lens - 55/56 .....2.36
- 13568B Gasket - License Lamp Lens - 57 .....2.54
- 13596 License Plate Holder - Rear 55 - 3 Pcs.....10.45
- 13668 Gasket - License Light to Lamp Body - 57 .....70
- 13713 Switch - Map Lamp - In Hinge Pillar.....8.62
- 13753 Nut - Wiper control 55/56 & Blower switch.....12.95
- 13754A Switch - Dash Light - W/Leads & Rivets .....9.90



- 13830 Horn Bracket - RH.....29.95
- 13831 Horn Bracket - LH .....29.95

**REPRODUCTION SPARTON HORNS NOW AVAILABLE:**

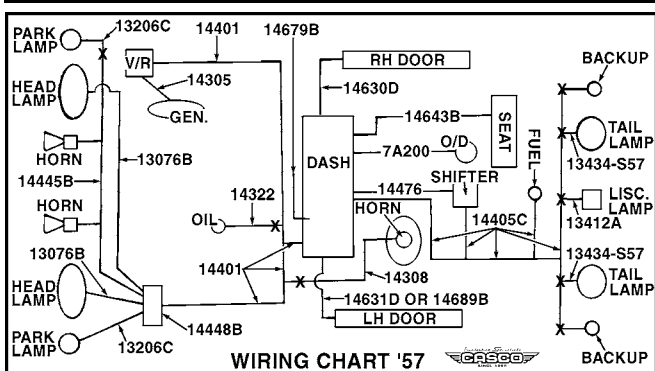
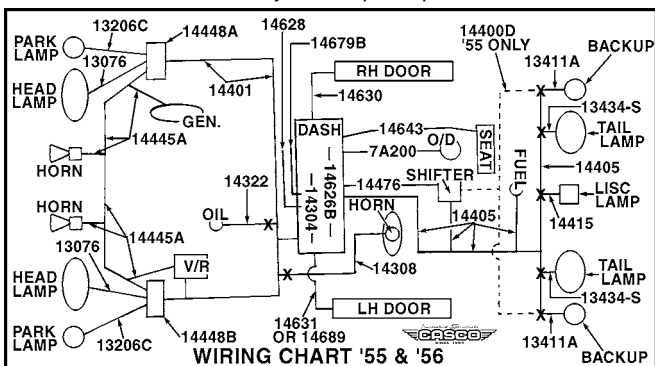


**HORNS: LO PITCH ON PASSENGER SIDE; HIGH PITCH ON DRIVERS SIDE**

- 13832A Horn - 6 V - 55 - Hi Pitch, Bell shaped cover .....53.85
- 13833A Horn - 6 V - 55 - Lo Pitch, Bell shaped cover.....53.85
- 13832B Horn - 12 V - 56/57 - Hi - Bell shaped cover .....N/A
- 13833B Horn - 12 V - 56/57 - Lo - Bell shaped cover.....N/A
- 13832C Horn - 12 V - 57 - Hi - Flat top, screw terminal.....39.95
- 13833C Horn - 12 V - 57 - Lo - Flat top, screw terminal.....49.77
- 13832D Horn - 12 V - 57 - Hi - Flat top, spade terminal .....39.95
- 13833D Horn - 12 V - 57 - Lo - Flat top, spade terminal.....39.95



- 13853A Horn Relay - 55 .....32.75
- 13853B Horn Relay - 56 .....36.89
- 13853C Horn Relay - 57 - Replacement.....38.95
- 14304 Instrument Ground Wire - 55/56.....10.75
- 14305 Wire Assembly - Generator Harness - 57 .....27.85
- 14308 Horn Wire.....25.80
- 14309 Wire - Heater switch to Blower motor.....16.50
- 14322 Wire - Oil Sending Unit.....9.45
- 14400D Wire Assembly - Backup Lamp - 55 .....23.80



- 14401-55 Wire Assy - Main Harness - Quality Repo - 55....457.00
- 14401-56 Wire Assy - Main Harness - Quality Repo - 56....457.00
- 14401-57 Wire Assy - Main Harness - Quality Repo - 57....463.00

**MAIN HARNESS REPAIR**

Want to replace the wiring in your engine compartment without replacing everything under the dash? Order the repair harness below which terminates just inside the firewall. Just splice together to install.

- 14401-R55 Main Harness Repair - Eng Compartment - 55...135.00
- 14401-R56 Main Harness Repair - Eng Compartment - 56.....87.00
- 14401-R57 Main Harness Repair - Eng Compartment - 57.....96.60

- 14405A Rear Wire Loom Assembly - 55 .....89.50
- 14405B Rear Wire Loom Assembly - 56 .....87.00
- 14405C Rear Wire Loom Assembly - 57 .....80.15
- 14415 Wire - License Plate Light to Loom - 55 .....10.45
- 14415B Wire - License Plate Light to Loom - 56 .....10.45
- 14445A Wire Assembly - Front Crossover - 55/56 .....77.85
- 14445B Wire - Front Crossover - 57 - Use with Spade Connectors on Horns.....23.45
- 14445C Wire - Front Crossover - 57 - Use with Screw Connectors on Horns .....23.45



- 14448A Junction Block - Wiring - Goes On RH Apron - Single Stack - 55/56 .....13.15
- 14448B Junction Block - Wiring - Goes on LH Apron - Double Stack - 55/57.....15.75
- 14448C Junction Block Wiring Goes Under Dash 55/56.....15.95
- 322A HWK -Electrical Junction Blocks to Apron 55/56 - 4 pcs.1.50
- 322B HWK -Electrical Junction Block to Apron - 57 - 2 pc .....1.35

- 14476 Wire Neutral Safety Switch .....32.50
- 14512A Relay - Power Seat or Window - 55 - 6V Replacement - 4 terminal.....35.00
- 14512B Relay - Power Seat or Window - 56/7 Replacement - 4 terminal.....35.00
- 14523 Backing Plate W/ Tabs - Power Window Switch - Single - RH .....7.65
- 14524 Backer Plate With Tabs - Chrome - LH Power Window Switch.....14.70



- 14525A In Line Fuse Holder w/ 2 Amp Fuse & Leads.....55
- 14526A Circuit Breaker - 40 Amp - P/W & P/S 55 .....7.35
- 14526B Ckt Brkr - 30A -Orange- P/W 56/57 & P/S 55/57 .....7.35
- 14526G Circuit Breaker - 20A -Red Dot - P/W & P/S 55 .....7.35
- 14526H Circuit Breaker - 15 Amp - Green Dot .....5.45
- 14526S Ground strap for seat & window circuit breakers .....4.25

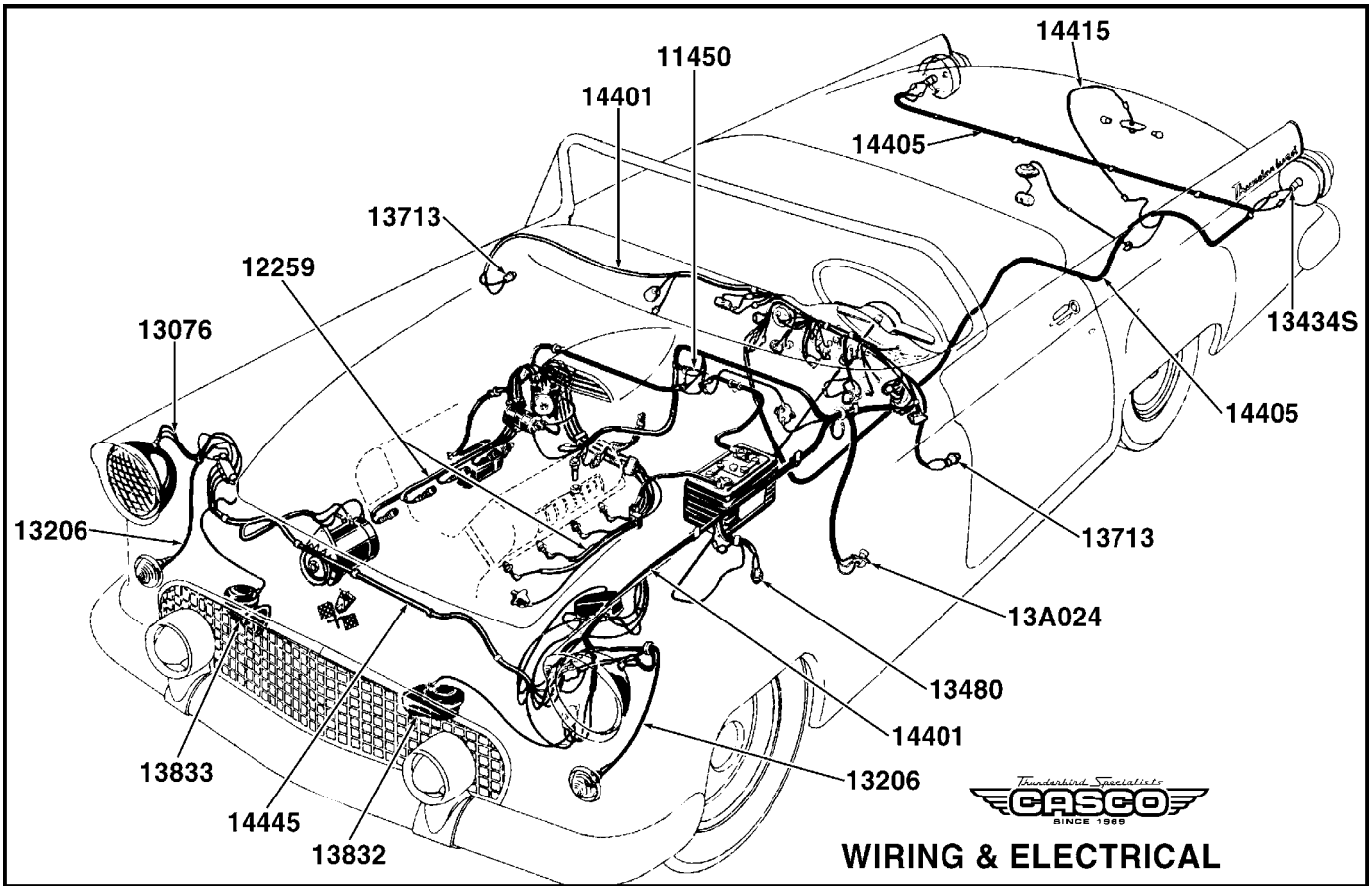
**FUSES**

- 14526C Fuse Kit - 1 Each for Clock; Radio; Map Light; Heater Motor; and Turn Signal 5 fuses - 55 - 6 Volt .....5.95
- 14526D Fuse Kit - Clock; Radio; Map Light; Heater Motor & Turn Signal - 5 fuses for 56/57 - 12 Volt .....6.45
- 14526E Fuse Kit - Clock; Radio; Map Light; Heater Motor Turn Signal & Overdrive - 6 fuses - 55 - 6 Volt.....6.55
- 14526F Fuse Kit - Clock; Radio; Map Light; Heater Motor Turn Signal & Overdrive - 6 fuses - 56/57 - 12 V ..6.89

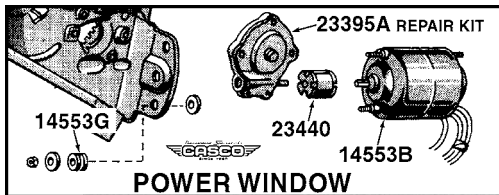
**Fuses Also Sold Separately (ORDER BY FUSE# BELOW)**

Location	Voltage	Fuse#	
Clock	6	3A	1.00
	12	1A	1.00
Radio	6	14A	.90
	12	7.5A	1.00
Map Light	6	9A	.90
	12	7.5A	1.00
Heater Motor	6	20A	.83
	12	14A	.90
Turn Signal	6	9A	.90
	12	7.5A	1.00
Overdrive	6	30A	.65
	12	15A	.65
Headlamp switch	6	9A	.90
	12	7.5A	1.00

# ELECTRICAL - LAMPS & BODY

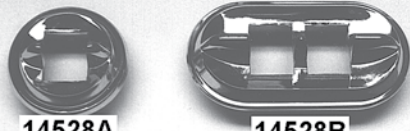


## WIRING & ELECTRICAL



### POWER WINDOW

14528A	Housing - Single Power Window Switch - RH.....	27.41
14528B	Housing - Window Regulator Switch Double .....	31.95
14529A	Switch - Window Regulator Control - Single Type - 3 Female Terminals.....	58.25
14529B	Switch - Window Regulator Control - Single Type - 3 Male Terminals.....	47.98
14529C	Crossover Bar - LH Power Wind Switches - Brass..	2.65
14547A	Motor Seat 6 volt.....	260.00
14547B	Motor Seat 12 volt.....	255.00
14547BX	Motor Seat 12 volt replacement.....	395.00
14553A	Motor Window 6 volt.....	259.00
14553B	Motor Window 12 volt.....	257.75
14553BX	Motor Window 12 volt replacement.....	395.00
14553G	Grommets Window Motor Mounting - Pair.....	1.45

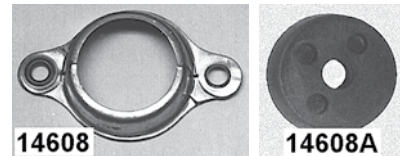


14528A

14528B



14554	Gasket - Window Regulator Switch - RH.....	3.84
14559	Clip - Seat Switch - Straight Type - 1/Car.....	2.10
14561	Gasket - Power Seat Switch .....	4.75
14570	Clip - Window Or Seat Switch Retainer - V - Shape - Windows 6/Car - Seat 3/Car.....	2.10
14585B	Clips 57 Wire Loom at Instrument Cluster - 3 pc.....	7.25



14608

14608A

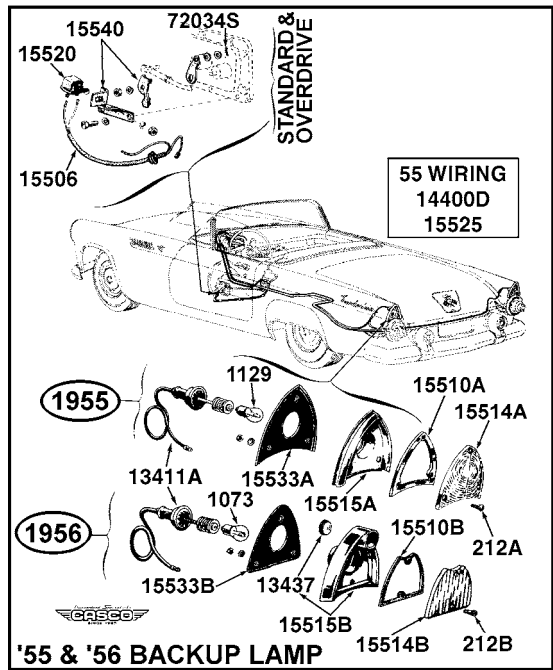
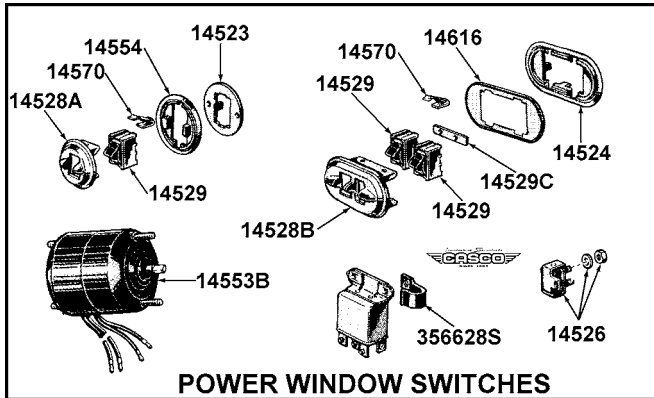
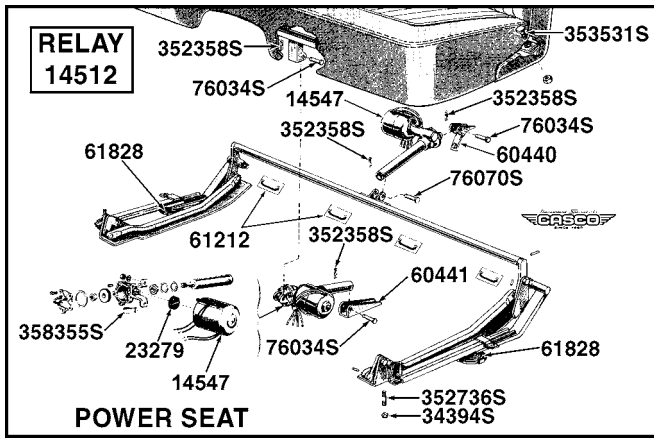
14608	Retainer - Cowl Wiring Grommet thru Dash.....	14.95
14608A	Grommet - Main Harness Through Firewall .....	4.20
14616	Gasket - Window Regulator Switch - LH.....	5.15
14626B	Wire - Power Seat Breakers Under Dash to Ignition Switch - 56/57.....	5.84
14628A	Wire - Starter Solenoid to Power Seat Breaker on Firewall - 55.....	11.65
14628B	Wire - Power Seat Breaker on Firewall to Breaker Under Dash - 55.....	14.86
14628C	Wire - Power Seat Feed - Solenoid to Breaker Under Dash - 56/57.....	9.15
14630A	Wire Harness - Power Window - RH Door - 55.....	57.00
14630B	Wire Harness - Power Window - RH Door - 56.....	51.00
14630D	Wire Harness - Power Window - RH Door - 57.....	47.00
14631A	Wire Harness - Power Window & Seat - LH 55.....	71.95
14631B	Wire Harness - Power Window Only - LH - 56.....	56.00
14631D	Wire Harness - Power Window & Power Seat - LH Door - 56.....	78.00
14631E	Wire Harness - Power Window Only LH 57.....	58.50
14631F	Wire Harness - Pwr Window & Pwr Seat LH 57.....	74.00
14643A	Wire Harness - Seat Motors to Dash - 55.....	66.00
14643B	Wire Harness - Seat Motors to Dash - 56/57.....	61.00



14651

**'57's use:  
4 of 14651  
and 2 of 14651S**

14651	Grommet - Headlamp & Park Lamp Wiring 55/56 4/Car (57 uses 4 + 2 of 14651S).....	3.35
14651S	Grommet - Small - Parking Lamp Wiring - 57 .....	2.95
14679B	Wire Harness - P/W Safety Relay - 56/57.....	25.75



15525	Wire Assy - Backup Switch Feed - 55.....	8.65
#15533A	Gasket - Backup Housing to Quarter - 55.....	5.29
15533AN	Gasket - Backup Blockoff to Quarter - 55.....	3.60
#15533B	Gasket - Backup Housing to Quarter - 56.....	2.84
15540	Bracket Kit - Backup Switch - S/T.....	18.88

116C	Shield - Wiring Protector - Door Wiring - RH.....	31.45
20768	Shield - Wiring Protector - Door Wiring - LH.....	31.45
20769	HWK - Door Wiring Shields to Doors - 4 pcs.....	1.27

23279	Coupling - Power Seat Motor to Drive.....	11.85
23440	Coupling - Power Window Motor to Drive.....	16.60
60440	Support - Vehicle Power Seat Regulator.....	17.15
60441	Support - Horiz. Power Seat Regulator.....	11.95

60477A	Tube Kit - Power Seat Worm Gear - Contains Plastic Tube, Cardboard Spacer and Clamp.....	12.90
61212	Seat Belt Brackets - Original Style - Pair.....	59.95

ADDITIONAL HARDWARE KITS		
121	Power Seat Brackets to Floor - 8 pcs.....	1.55
130	Dimmer Switch to Plate & Plate to Floor - 8 pcs.....	2.65
143B	Turn Signal Switch To Column - 2 pcs.....	.99
149A	Dimmer Switch Cover to Firewall - 4 pcs.....	1.22
149B	Dimmer Switch to Cover - 4 pcs.....	1.58
203	Headlamp Door to Bucket - 2 pcs.....	4.78
213	Headlamp Bucket to Fender and Retaining Ring to Bucket - 22 pcs.....	4.25
214	Parking Lamp Body to Bumpers - 57 - 12 pcs.....	1.80
215A	Rear Lamp Bodies to Quarters - 55/56 - 6 pcs.....	1.50
215B	Rear Lamp Housing to Quarter - 57 - 16 pcs.....	4.36
216B	Backup Housing to Rear Quarter - 56 - 12 pcs.....	3.53
217A	License Lamp Assy to Car - 55/56 - 2 pcs.....	1.10
253	License Plate Holder to Body - 55 - 6 pcs.....	1.50
312	Starter Solenoid to Firewall/Horn Relay to Apron 2 pcs.....	1.15
322C	Voltage Regulator to Apron - 3 pcs.....	1.36
322D	Wiring Grom Retnr (14608) to Firewal - 2 pcs.....	1.19
330	Horn Brackets to Body - 12 pcs.....	2.53

14685	Bezel - Power Seat Switch.....	34.95
14689A	Wire Harness - Powr Seat Only - LH Door - 5.....	37.00
14689B	Wire Harness - Powr Seat Only - LH - 56/57.....	36.50
14A701	Switch - Seat Control.....	58.25
14A701C	Crossover Bar - Power Seat Switches.....	7.95
14774	Wiring Harness - Dial - O - Matic Relay.....	33.65

15506	Wiring Harness - Backup Switch - Used Only With Standard Shift - Use With Our 15520 Backup Lamp Switch.....	15.70
#15510A	Gasket - Backup Lamp Lens - 55.....	2.26
#15510B	Gasket - Backup Lamp Lens - 56.....	2.21

15514A	Lens - Backup Lamp - With FoMoCo Oval - 55....	12.00
212A	HWK - Backup Lamp Lenses to Lamp Body 55 - 12 pcs.....	12.60

15514AN	No Backup Blockoff Plate - 55.....	22.89
212C	HWK - Backup Blockoff Plate to Quarter - 55 - 6 pcs.....	1.55

15514B	Lens - Backup Lamp - With FoMoCo Oval - 56....	12.00
212B	HWK - Backup Lamp Lenses to Lamp Body 56 - 4 pcs.....	5.90

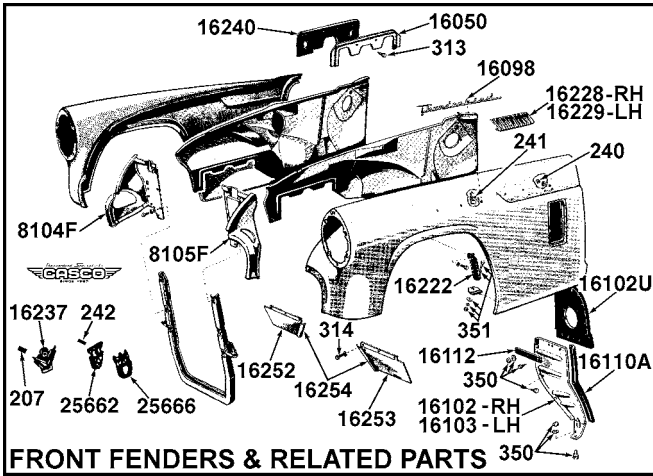
15514BN	Lens - Used With No Backup Lamp with FoMoCo Oval - 56.....	12.00
15515A	Body - Backup Lamp - 55.....	39.85
15515B	Body - Backup Lamp With Reflector - 56.....	42.32
15520	Switch - Backup Lamp With S/T or O/D.....	59.95

**NEW COMPLETE WIRING KIT**

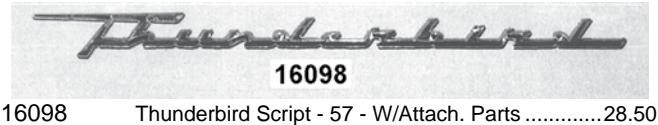
Call us for a quote on complete wiring to outfit your Thunderbird. We will ask you all pertinent questions about the accessories and options on your car. We can email the quote to you.



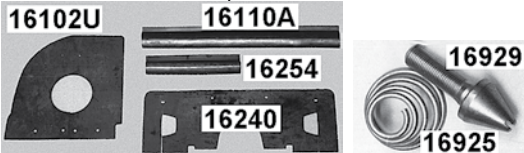
# FRONT FENDERS & HOOD



- FRONT FENDERS & RELATED PARTS**
- 8104F Deflector - RH Side - Fiberglass ..... 130.77
  - 8104RP Repair panel - Radiator deflector RH ..... 379.50
  - 8105F Deflector - LH Side - Fiberglass ..... 130.77
  - 8105RP Repair panel - Radiator deflector LH ..... 377.00
  - 16006 Front Fender 55 LH - NOS ..... CALL
  - 16050 Metal Retainer for Apron Seal (16240) ..... 20.49
  - 16050WK Complete Assembly ready to install - Metal Retainer for Apron Seal, powder coated and stapled to 16240 seal, as original ..... 34.75



- \*16098 Thunderbird Script - 57 - W/Attach. Parts ..... 28.50

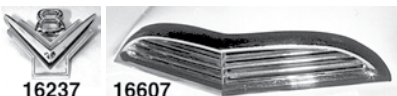


- 16102U Shield - Upper Rear - Front Fender Splash  
Shield - Rubber - 56/57 - 2 Used/Car ..... 5.00
- 16102 Splash Shield - Steel - Lower Rear - 56/57 RH ..... 47.95
- 16103 Splash Shield - Steel - Lower Rear - 56/57 LH ..... 47.95
- 16110A Weatherstrip - Front Fender Rear  
Splash Shield - 56/57 - Set 2 ..... 6.10
- 16112 Plate - Upper Rear Splash Shield Retaining ..... 3.89
- 16222 Brace - Fender to Apron ..... 8.75

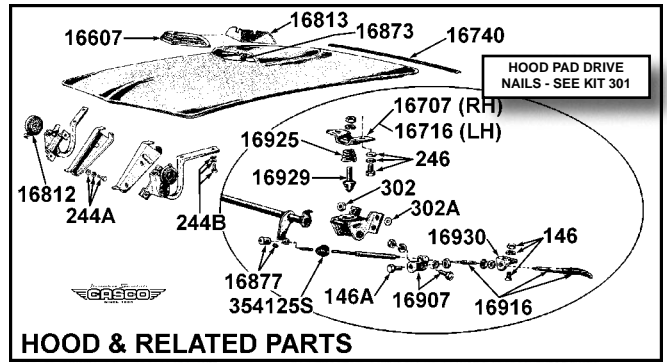


- \*16228 Louver Trim - RH ..... 32.25
- \*16229 Louver Trim - LH ..... 30.95
- \*240 HWK Louver Trim to Front Fenders - 12 pcs ..... 2.20
- \*16237 V - 8 Emblem - Body Side 55 W/Attaching Pts ..... 22.52
- 16240 Seal - Front Fender Apron Shield - Each ..... 4.82
- 16252 Splash Panel - Lower - Apron to Frame  
RH - Does Not Include 16254 ..... 12.95
- 16253 Splash Panel - Lower - Apron to Frame  
LH - Does Not Include 16254 ..... 12.95
- 16254 Weatherstrip - Front Fender Apron to Frame, pair ..... 5.55

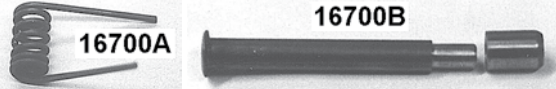
- 16252WK** Complete Assembly ready to install - RH Metal Lower Splash Panel, powder coated and stapled to 16254 seal, as original ..... 26.40
- 16253WK** Complete Assembly ready to install - LH Metal Lower Splash Panel, powder coated and stapled to 16254 seal, as original ..... 26.40



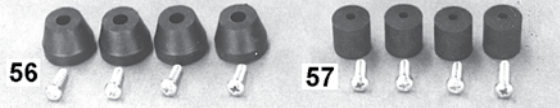
- \*16607X Emblem - Front Hood - Quality Reproduction ..... 91.29
- 16612A Pad Set - Hood Anti - Rattle - Very Difficult to Install ..... 6.25



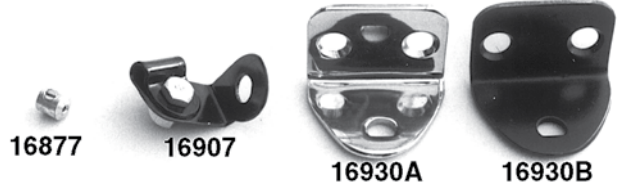
**HOOD & RELATED PARTS**



- 16700A Spring - Inside Latch Assembly ..... 4.75
- 16700B Repair Pin - Hood Latch Release ..... 10.45
- 16707 Hood Alignment Dowel Mount RH ..... 35.00
- 16716 Hood Alignment Dowel Mount LH ..... 35.00
- #16740A Pad - Hood - 55 - without drive nails ..... 4.95
- #16740B Pad - Hood - 56/57 - without drive nails ..... 4.95



- #16758A Hood Bumpers With Attaching Screws - 4 Sets - 56...(Not Used On 55's) ..... 5.90
- #16758B Hood Bumpers With Attaching Screws - 4 Sets - 57 - Bumpers have Washer Insert ..... 7.95
- 16812 Spring - Hood Hinge ..... 10.50
- 16813 Hood Block Off Plate ..... 6.30
- 16873 Spacer - Hood Ornament Stud ..... 9.95



- 16877 Clamp - Hood Catch Cable - Plated - W/Screw ..... 4.90
- 16907 Bracket - Hood Release Cable at Firewall ..... 13.15
- 16916A Cable - Hood Release - With Original Handle ..... 47.19
- 16925 Spring - Hood Latch - Cad Plated ..... 3.10
- 16929 Dowel - Hood Lock - Cad Plated ..... 12.79
- 16930A Bracket - Hood Release Cable - Chrome ..... 15.65
- 16930B Bracket - Hood Release Cable - Black - 57 ..... 8.45
- \*25662 Medallion - Front Fenders - 56 ..... 20.90
- \*25666 Retainer for 25662 - Chrome ..... 21.98

**HARDWARE KITS**

- 146 Hood Release Cable Bracket to Dash - 4 pcs ..... 1.80
- 146A Hood Rel. Cable Retainer to Firewall - 6 pcs ..... 1.75
- 207 Y - Block Emblems - 55 - 4 pcs ..... 1.55
- \*241A Thunderbird Scripts to Body - 55/56 - 8 pcs ..... 2.60
- 241B Thunderbird Scripts to Body - 57 - 10 pcs ..... 2.90
- \*242 Crest Medallion (25666) w/ Pad - 3 pcs.1/medallion ..... 1.25
- 243 Cowl Side Vent Door To Hinge & Fender 12pcs ..... 1.98
- 244A Hood Hinge to Bracket - 12 pcs ..... 2.47
- 244B Hood to Hood Hinges - 12 pcs ..... 1.95
- \*245 Hood Emblem (16607) to Hood - Includes 16873 Spacers - 8 pcs ..... 5.45
- 246 Hood Latch Pin Brackets to Hood - 12 pcs ..... 1.95
- 301 Hood Pad (drive nails) to Body - 7 pcs ..... 6.49
- 302 Hood Locks (16700 - 1) - Original Nuts - 8 pcs ..... 2.15
- 302A Washers - Between Hood Locks & Firewall - 8 pc ..... 2.70
- 313 Apron Shields (16050) to Apron - 8 pcs ..... 2.85
- 314 Lower Splash Shield to Apron - 12 pcs ..... 5.40
- 350 Lower Rear Splash Panels to Aprons, Upper Shields and Fenders - 56/57 - 30 pcs ..... 5.35
- 351 Fender Support Brackets to Aprons & Fenders - 12 pcs ..... 4.50
- 352 Side Vent Spacer Duct to Aprons & Fenders - 36 pcs ..... 4.00
- 900 Staples - Like Original for Seals & Weatherstrip pk/50 ..... 13.00
- 900A Staples - as 900 but Pkg 12 Only ..... 3.00

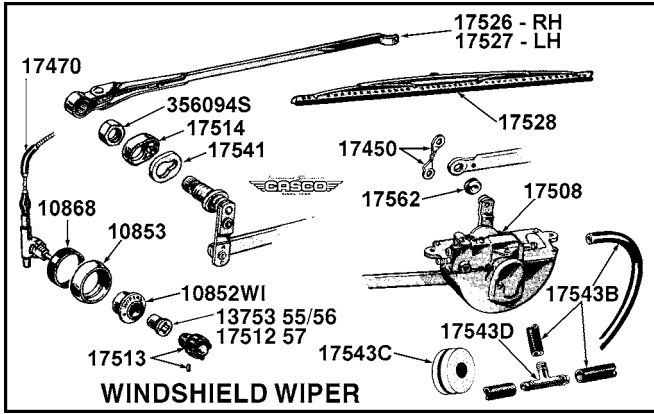
Emergency Hood Release Tool TL9 - Pg 57



\*INCLUDED IN EXTERIOR TRIM KIT - Pg 67

Order line: (800) 374-0914

# WINDSHIELD WIPERS & WASHERS



**WINDSHIELD WIPER**

- 17450 Retainer - Wiper Arms to Vacuum Motor..... 9.45
- 17470 Wiper Switch Assy - Dash to Motor..... 59.68

## ELECTRIC WIPER CONVERSION

Designed and built by CASCO. Features heavy duty linkage, CNC machined components, oil - lite bearings, heavy duty motor and switch. Uses your original dash knob. Also available with integral electric squirters. Supplied with installation instructions.

- 17508A Electric Wiper Conversion Kit - 12 Volt ..... 335.00
- 17508B Electric Wiper & Squirter Kit - 12 Volt..... 349.00
- \*NEW\* Kit with Intermittent wiping option! Interval delay switch with all of the heavy duty features of our original kit.
- 17508C Electric Wiper w/Interval option - 12v..... 469.00
- 17508D Electric Wiper/Squirter w/Interval option - 12v .... 485.00
- \*Replacement switch\* to convert your CASCO electric wiper kit to the Interval option. Plugs right into your CASCO kit.
- 17508E Intermittent switch ONLY..... 203.00

- 17508 Wiper Motor-rebuilt vacuum- Exchange Only\*\*... 132.00  
\*\*Ship to CASCO with payment and return address
- 142B HWK -Vacuum Wiper Motor to Body - 4pcs ..... 1.28
- 13753 Nut - Wiper Control - 55/56 ..... 12.95
- 17512 Nut - Wiper Control - 57 ..... 12.95
- 17513 Knob - Wiper Control - Black/Chrome..... 15.75
- 17514 Bezel - Wiper Arm - Chrome - Pair..... 26.47



**17528B**

**17528A**

**17526 or 7**

### All High - Polish Stainless

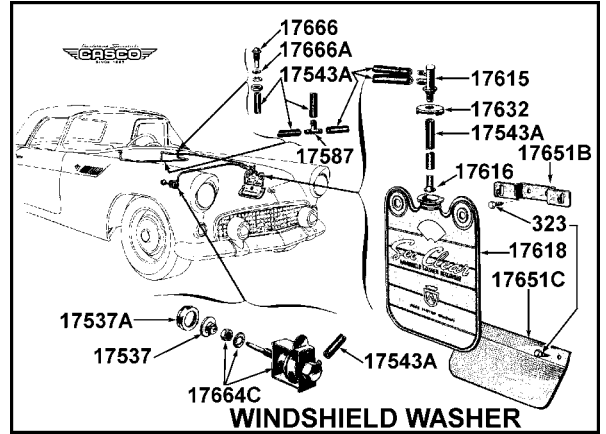
- 17526A Arm - Wiper Blade - Wrist Connection - 55 RH..... 31.45
- 17526B Arm - Wiper Blade - Bayonet Connection RH..... 31.45
- 17527A Arm - Wiper Blade - Wrist Connection - 55 LH..... 31.45
- 17527B Arm - Wiper Blade - Bayonet Connection LH..... 31.45
- 17528A Windshield Wiper Blade - Excellent reproduction of Original Trico RB12 - 2 with rubber end tips - Wrist Connection - 55 (sold each) ..... 31.45
- 17528B Wiper Blade - Same as 17528A But With Bayonet Connection - 56/57 (sold each)..... 31.45

**17528BLD**

**"Sheared - Edge" Wiper Blade Rubber** We are proud to offer an exact reproduction of the wiper blade rubber with a sheared wiping edge for better performance. Replaces worn out rubber in seconds. Used on wrist action and bayonet blades 17528A & 17528B above.  
17528BLD Wiper Blade Rubber Only - With "Bumps" ..... 8.00

### WINDSHIELD WIPER BLADES & ARMS KIT

- 17528AK Kit - 2 Arms & 2 Blades - 17526A, 17527A, & 2 - 17528A...YOU SAVE \$10.00 ..... 115.80
- 17528BK Kit - 2 Arms & 2 Blades - 17526B, 17527B, & 2 - 17528B...YOU SAVE \$10.00 ..... 115.80



**WINDSHIELD WASHER**



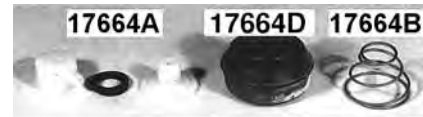
**17541**  
**WIPERS LEAK?**  
**REPLACE 17541**



- 17537 Pedal - Windshield Washer - W/Clip - No Pad..... 10.45
- 17537A Pad - Windshield Washer Pedal..... 5.25
- 17537C Clip - Holds Washer Pedal to Shaft..... 1.10
- #17541 Washer - Wiper Arm to Pivot Shaft Outer-Leather... 2.38
- 17543A Washer Hose Kit - All Hose to do Entire System..... 5.75
- 17543B Vacuum Hose Kit - For Heater & Wiper - 6 Pcs ..... 5.80
- 17543C Grommet - Wiper Vacuum Hose ..... 1.60
- 17543D Tee - Vacuum Hoses to Wiper Motor & Heater ..... 1.90
- 17562 Grommet - Wiper Arm - Pair..... 2.10
- 17580A Grommet - Washer Hose Through Dash..... 1.25
- 17587 Tee - Windshield Washer Hose ..... 1.75
- 17615 Tee - Washer Reservoir to Hoses ..... 15.95
- 17616 Filter - washer fluid..... 6.10
- 17618A Washer Reservoir - See Clear - 55 ..... 23.55
- 17618B Washer Reservoir - See Clear - 56 ..... 23.55
- 17618C Washer Reservoir - See Clear - 57 ..... 23.40
- 17632 Cover - Washer Reservoir..... 1.72

### WASHER BAG HOLDER & PLATE KIT

- 17651AK Windshield Washer Bag Holder and Lower Plate. .... 17.75
- 17651B Washer Bag Holder Only..... 11.50
- 17651C Washer Bag Lower Plate Only ..... 6.25
- 323 HWK -Washer Bag Holder (17651) and Lower Plate to Apron - 4 pcs ..... 1.25



- 17664A Repair Kit - Washer Pump Includes Bellows..... 36.95
- 17664B Spring - Inside Washer Pump - Stainless..... .55
- 17664C Windshield Washer Pump Assy - 55/56 - Replacement For 57..... 79.98
- 17664D Bellows Only - Washer Pump Repair ..... 7.50

### WINDSHIELD WASHER SYSTEM KIT

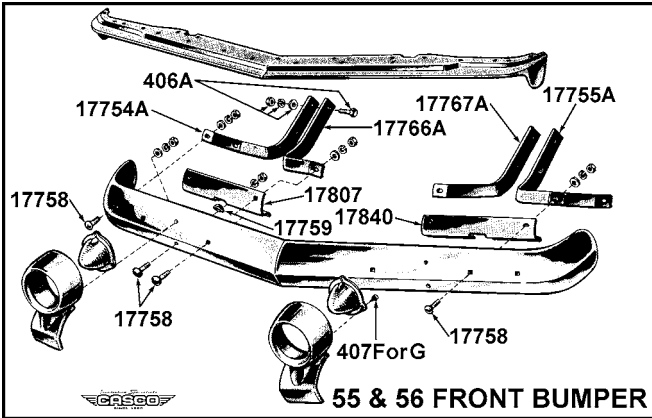
- All of the items you need to install Windshield Washers on your T-Bird. 15 pieces. Kit includes original nozzles.
- 17664K5 Windshield Washer Kit - 55 ..... 197.50
  - 17664K6 Windshield Washer Kit - 56 ..... 197.50
  - 17664K7 Windshield Washer Kit - 57 ..... 197.35

- 17666 Nozzle - Washer Jet - Like Original - Pair ..... 26.00
- #17666A Seal - Washer Jet Nozzle - Pkg. 2 ..... 75
- 356094S Nut - Wiper pivot shaft..... 12.90

Wiper Pivot Shaft Nut TOOL - TL11 - See page 57

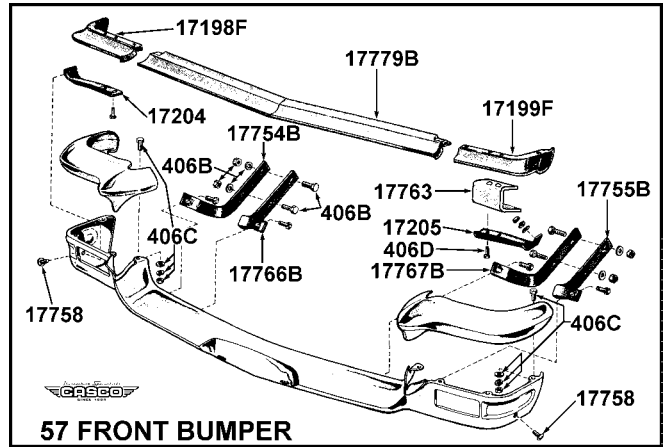
#INCLUDED IN REPAINT KIT - Pg 67

# BUMPERS

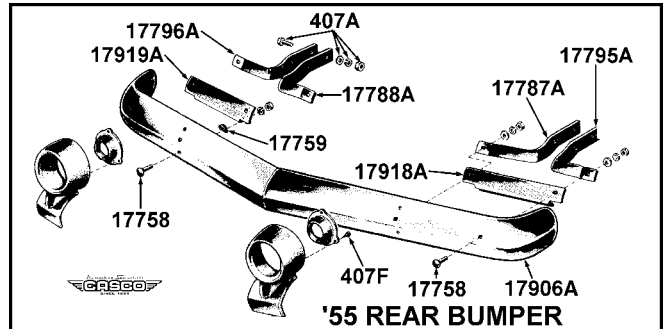


**55 & 56 FRONT BUMPER**

17198F	Deflector End - Front RH - 57 - Fiberglass.....	85.00
17199F	Deflector End - Front LH - 57 - Fiberglass .....	85.00
17204	Brace - Front Bumper End Support - RH - 57 .....	56.35
17205	Brace - Front Bumper End Support - LH - 57.....	53.00
17228C	Brace - Rear Bumper Outer - RH - 57 .....	46.25
17229C	Brace - Rear Bumper Outer - LH - 57 .....	48.00
17668B	Brace - Rear Bumper Center - RH - 56 .....	44.00
17669B	Brace - Rear Bumper Center - LH - 56 .....	43.00
17674B	Bracket - Rear Bumper Center - RH - 56 .....	23.85
17675B	Bracket - Rear Bumper Center - LH - 56.....	23.85

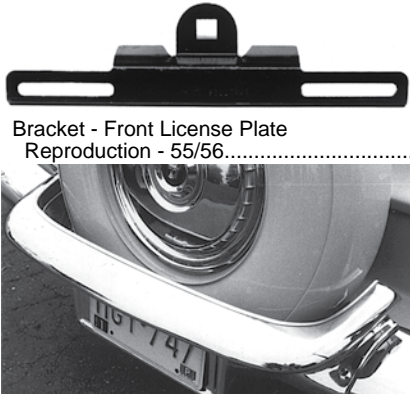


**57 FRONT BUMPER**



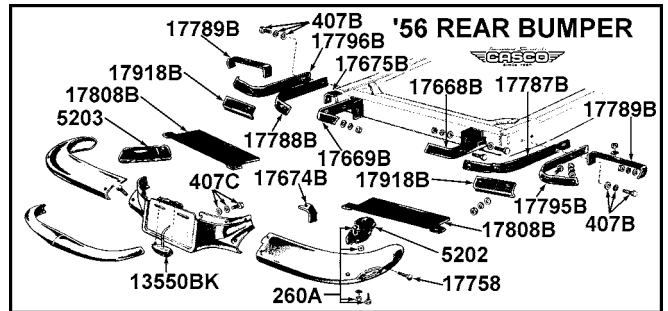
**'55 REAR BUMPER**

17736 Bracket - Front License Plate  
Reproduction - 55/56..... 15.00



17751A Bumper Strip - Chrome Look Plastic. Goes on  
Upper Half of Center Section of 56 Rear Bumper  
to Protect Paint on Continental Kit Cover..... 4.75

17754A Brace - Front Bumper - Outer - RH - 55/56..... 55.80  
17754B Brace - Front Bumper - Outer - RH - 57..... 48.25  
17755A Brace - Front Bumper - Outer - LH - 55/56..... 57.00  
17755B Brace - Front Bumper - Outer - LH - 57..... 48.25  
17758 Bolt - Bumper to Arms - Stainless Capped..... 1.15  
17758A Washer - Flat Washer, and Nut..... 3.25



**'56 REAR BUMPER**

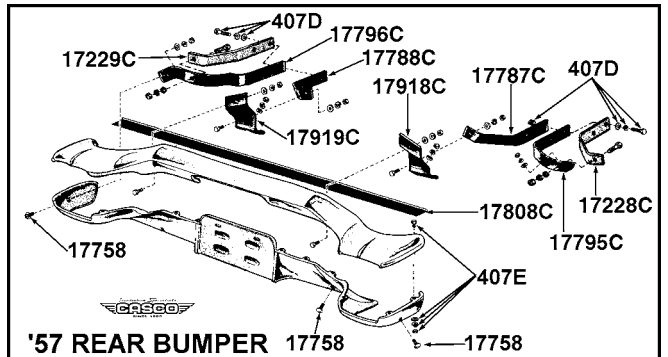


**BUMPER BOLT KIT** - All required for both bumpers; with flat washers, lock washers, and nuts.

17758B5 55 - 48 Pcs (14 Bolts)..... 23.25  
17758B6 56 - 56 Pcs (14 Bolts)..... 23.25  
17758B7 57 - 24 Pcs (6 Bolts)..... 11.20

**Reproduction bumper bolt kits have correct length & thread size:**

17758BC5 Bumper bolt kit - concours correct 55..... 67.00  
17758BC6 Bumper bolt kit - concours correct 56..... 78.00  
17758BC7 Bumper bolt kit - concours correct 57..... 44.00



**'57 REAR BUMPER 17758**

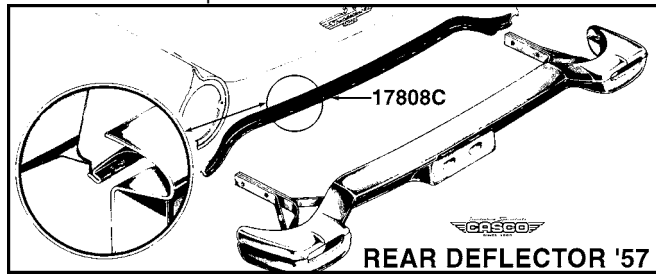
17759 Sleeves & Spacers - Bumper Guards - 55/56  
1 Set Does 1 Bumper (2 Guards)..... 9.35

17763 Spacer - Between 17198 & 9F & 17204 & 5..... 15.00  
17766A Brace - Front Bumper Inner - RH - 55/56..... 55.59  
17766B Brace - Front Bumper Inner - RH - 57..... 55.25  
17767A Brace - Front Bumper Inner - LH - 55/56..... 58.25

17767B	Brace - Front Bumper Inner - LH - 57 .....	55.25
17779B	Deflector - Front Bumper Stone - 57 Centr .....	N/A
17787A	Brace - Rear Bumper Inner - RH - 55 .....	54.85
17787B	Brace - Rear Bumper Inner - RH - 56 .....	52.10
17787C	Brace - Rear Bumper Inner - RH - 57 .....	52.35
17788A	Brace - Rear Bumper Inner - LH - 55 .....	58.59
17788B	Brace - Rear Bumper Inner - LH - 56 .....	51.85
17788C	Brace - Rear Bumper Inner - LH - 57 .....	52.35
17789B	Brace - Rear Bumper Outer - RH or LH - 56.....	54.92
17795A	Brace - Rear Bumper Outer - RH - 55.....	53.00
17795B	Brace - Rear Bumper Outer - RH - 56.....	53.45
17795C	Brace - Rear Bumper Outer - RH - 57.....	50.70
17796A	Brace - Rear Bumper Outer - LH - 55.....	53.00
17796B	Brace - Rear Bumper Outer - LH - 56.....	53.45
17796C	Brace - Rear Bumper Outer - LH - 57.....	59.90
17807	Jacking Plate - RH Front - 55/56.....	55.00



- 17808AC Deflector - Complete - Metal & Rubber  
Goes Between Body & Rear Bumper - 55 ..... 129.95  
17808A Rubber Only for 17808AC Above ..... 5.60  
17808B Rear Splash Shield - 56 - 2 Used/Car ..... 5.35



- 17918B Jacking Plate - Rear - 56 - RH or LH ..... 49.00  
17918C Jacking Plate - RH Rear - 57 ..... 49.55  
17919C Jacking Plate - LH Rear - 57 ..... 46.60

**HARDWARE KITS for this area - Complete List - Page 44**

- 253A Lisc Plate to Holder Rear '55 ..... 2.60  
260A Exhaust Deflectors (5202 3) to Bumper 56 -22 pcs ..... 7.40  
260B Exhaust Deflector (5202) to Bumper 57 -12 pcs ..... 26.30  
406A Front Bumper Braces to Frame 55/56 - 16 pcs ..... 8.75  
406B Front Bumper Braces to Frame 57 - 44 pcs ..... 10.55  
406C Front Upper Bumpers to Lower Bumper 57 -32 pcs ..... 6.45  
406D 17763 Spacer to Fender & Braces 57 - 40 pcs ..... 4.75  
407A Rear Bumper Braces to Frame 55 -16 pcs ..... 7.65  
407B Rear Bumper Braces to Frame 56 -42 pcs ..... 7.71  
407C Rear Upper Bumpers to Lower and Center  
to Ends - 56 - 26 pcs ..... 5.15  
407D Rear Bumper Braces to Frame 57 -36 pcs ..... 15.00  
407E Rear Upper Bumper to Lower 57 -56 pcs ..... 10.61  
407F BUMPERETTE CENTERS to BUMPERETTE 55 -24 pcs ..... 2.70  
407G BUMPERETTE CENTERS to BUMPERETTE 56 -12 pcs ..... 1.90  
900 Staples - Like Original for Seals and  
Weatherstrip - Pkg 50 ..... 13.00  
900A Staples - as 900 but Pkg 12 Only ..... 3.00

- #17808C Deflector - Rear Bumper Stone - 57 ..... 11.00  
17840 Jacking Plate - LH Front - 55/56 ..... 48.95  
17918A Jacking Plate - RH Rear - 55 ..... 51.50  
17919A Jacking Plate - LH Rear - 55 ..... 49.00

**# INCLUDED IN REPAINT KIT - Pg 67**

**TOOLS**



Many of our tools were developed by the technicians in our restoration facility. If you have an idea for a special tool that would help the hobby let us know.

BEZEL NUT TOOL - Here's a handy tool specially designed for removing the retainer nuts for the ignition, lights, wiper and heater controls. TL1 ..... 6.80

DOOR AND WINDOW HANDLE REMOVAL TOOL - The tool that really works to remove C clips that hold the door and window handles on. TL2 ..... 7.25

ANTENNA NUT WRENCH - Easily remove the special nut on the antenna base. Non - marring plastic body slides over antenna and securely engages nut. TL3 ..... 6.95

CHOKE TUBE PUNCH - Don't risk dinging up your intake manifold. This punch is machined to just fit and safely remove the choke heat tube (part number 9890) TL4 ..... 17.00

PULLER TEMPERATURE SENDER ADAPTERS - Simply screw puller into the adapter, tighten nut on top of puller and the adapter will be removed with ease. TL5 for 55/56 ..... 34.95  
As above but smaller for 57 adapter. TL6 for 57 ..... 34.95  
PULLER HARMONIC BALANCER - Redesigned to ensure long life and easy use, this tool utilizes fine thread alloy steel. Swivel pad helps distribute force and protect crank threads. TL7 ..... 59.99

FRONT HUB GREASE CAP TOOL - Machined for a slip fit over part number 1131 evenly distributes installation forces eliminating dented caps. TL8 ..... 18.50

EMERGENCY HOOD RELEASE - This tool (not shown) is needed if clamp (16877) comes loose or release cable breaks. Insert from under the car and hook onto the hood release bracket. TL9 ..... 14.95

INSTALL TOOL HARMONIC BALANCER - Leave your hammer in the tool box! This tool utilizes alloy steel fine threaded rod and screws into the crank. Thrust bearing rated at over 2 tons makes installing harmonic balancer assembly a breeze. TL10 ..... 59.85

WIPER NUT SOCKET - With eight sides, the wiper nut can be difficult with standard tools. This simple octagon socket makes working with the wiper nut simple. TL11 ..... 9.95

STEERING WHEEL PULLER - Safely and easily remove steering wheel without removing the horn wire. Specifically designed for Little Bird. Heavy duty. Removes stubborn wheels. TL12 ..... 31.84

CARBURETOR CONTROL VALVE SOCKET - Use this simple 8 - sided socket to easily remove carb control valve TL13 ..... 12.95

MASTER CYLINDER CAP WRENCH - Safely loosen brake cylinder fill cap without marring the finish TL14 ..... 5.99

STEERING COLUMN COLLAR WRENCH - Loosen telescoping column collar without marring chrome finish. For 55-57. Use supplied adapter for '55 style TL15 ..... 48.95

DISTRIBUTOR BUSHING REMOVAL TOOL - Removes 12120A. Does not include 1/2 - 20 tap. TL16 ..... 29.85

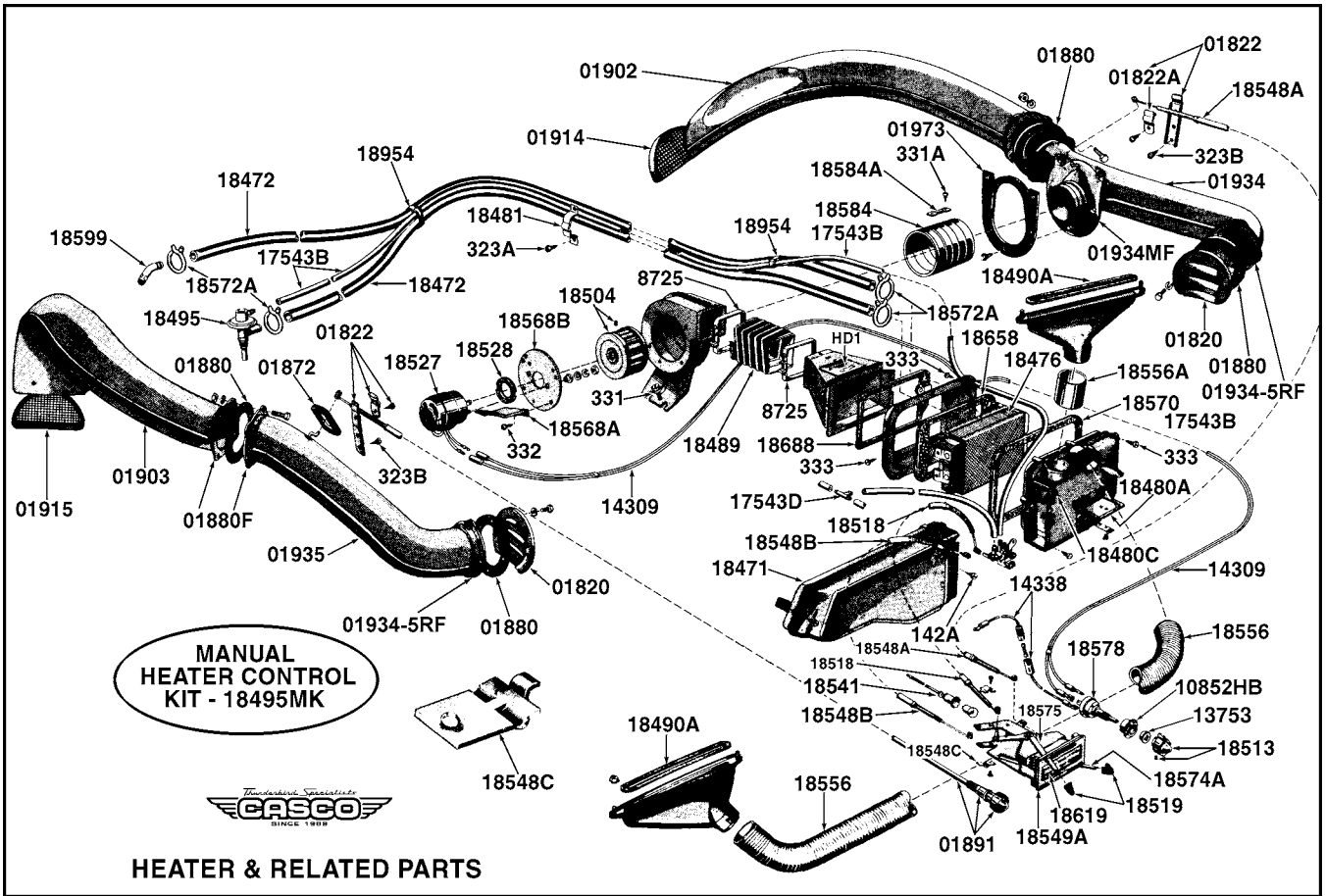
WRENCH FOR OUTSIDE MIRROR Tighten up your outside mirror without marring the chrome finish. TL17 ..... 9.99

HOG RING PLIERS Used for applying hog rings in seat upholstery TL18 ..... 25.00

STARTER BENDIX SPRING COMPRESSOR TL19 ..... 24.95

WIRE HOSE CLAMP PLIER TOOL TL20 ..... 24.95

# HEATER



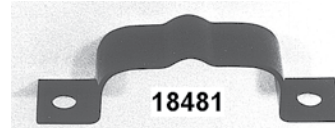
## HEATER & RELATED PARTS



8725



18495MK



18481



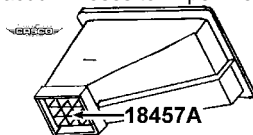
18489

- 8725 Clamp - Rectangular for 18489 Duct - now Show quality & Made in USA .....8.20
- 8725A Clamp - Round - Can be Used on 18584 Duct Made in USA .....8.20
- 10852HB Dash Bezel - Inner - Heater Blower Switch ..... 15.75
- 13753 Nut - Blower Switch Also Used 55/56 Wiper ..... 12.95
- 14309 Wire - Switch to Blower Motor ..... 16.56
- 14338 Wire & Fuse Holder - Heater Switch ..... 14.25
- 17543B Vacuum Hose Kit - For Heater & Wiper - 6 pcs .....5.80
- 17543D Tee - Vacuum Hoses to Wiper Motor & Heater ..... 1.90

- 18481 Bracket - Heater Hoses to Apron .....5.35
- 18489 Connector - Heater to Air Duct ..... 22.95
- 18490A Seals - Defroster Nozzle - Pair ..... 10.10
- 18495 Heater Control Valve - Vacuum - on Intake Exact Reproduction ..... 98.56

### Manual Heater Kit

- 18495MK Manual Heater Control Kit with instructions - Everything you need to convert the troublesome vacuum system to a foolproof mechanical system. Uses same controls on dash as original ..... 63.02



18457A

- 18457A Deflector - Inside Heater Inlet Duct ..... 8.50
- 18471 Chamber - Heater Air - Fiberglass ..... 89.90
- 18472 Heater Hose - 5/8" Black - Price is per foot - 8 Ft. Required per car ..... 1.40
- 18476 Core - Heater ..... 187.00

- 18504 Fan - Squirrel Cage - Heater Blower ..... 28.35
- 18508P Heater Delete - Block off Plate at Firewall ..... 43.10
- 18513 Knob - Heater Blower - Black - Chrome ..... 16.55
- 18518 Cable - Heater Control - Dash Control to 18502 Valve - Rubber Covered ..... 9.25
- 18519A Heater Control Knob - Wedge Shape - 55 ..... 12.14
- 18519B Heater Control Knob - Ball Shape - Ready to Paint - 56/57 ..... 9.35
- 18527X Motor - Heater Blower - 12 V - Replacement ..... 182.70
- 18528 Gasket - Heater Blower Motor ..... 4.69
- 18541 Socket & Wire for heater control dash light ..... 9.99
- 18548A Cable - Heater Control - Dash Control to 01934 Duct - Rubber Covered ..... 9.25
- 18548B Cable - Heater Control - Dash Control to 18471 Air Chamber - Rubber Covered ..... 9.25
- 18548C Clip - Heater Control Cable Retaining ..... 1.60
- 18549A Faceplate - Heater Control - Chrome ..... 38.65
- 18549C Clip - Retains 18549A to dash (2 used per car) ..... 4.75
- 18550 Faceplate Assembly for Heater ..... 71.25
- 18556 Hose - Defroster - 36" Length ..... 32.47
- 18556A Duct - Rubber - RH Defroster Nozzle ..... 3.10
- 18568A Heat Shield - Heater Blower Motor ..... 15.70

18480A

18480B

18480C

- 18480A Seal - Felt - Glues to Back of Heater Door ..... 2.46
- 18480B Seal - Felt - Defroster Flapper Valve ..... 3.20
- 18480C Bushings - Defroster Flapper Shaft - Pair ..... 80

## TECH TIP

☐ If your heater seems to run all the time, you probably have a faulty heater valve.



- 18568B Plate - Heater Blower Motor Mounting..... 15.70
- 18570 Gasket - Heater to Dash .....3.00

**18572A IS CORRECT ORIGINAL TYPE CLAMP**



**OUR 18572B AND RADIATOR HOSE CLAMPS HAVE CORRECT SCREWS**

- 18572A Clamp - 5/8" Heater Hose ..... .45
- 18572B Clamp - P/S & P/B Booster Hoses ..... 4.80

**18572C HOSE CLAMP KIT** - All clamps needed for Radiator, Heater, Bypass, P/B Booster Flex Hose & P/S Return Line. Includes: 8287A; 8287B; 18572A & 18572B, as needed based on whether your car has power steering, power brakes, both or neither. Please specify.

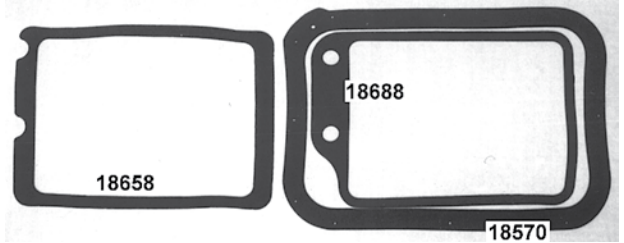
- 18574A Repair Kit - Lower Heater Control Arm, includes new polished stainless arm with 2 rivets..... 21.00
- 18575 Arm - upper heater control ..... 15.95
- 18578 Switch - Heater Blower - 2 Speed ..... 32.85
- 18584 Connector - Round - Duct to Blower Assembly..... 19.15



- 18584A Metal Retainer Strap for 18584 ..... 1.45
- 18584HD Heater Delete - Block off Cap Heater Duct ..... 16.95
- 18599 Elbow - Heater Hose to Water Pump ..... 15.75
- 18599M Elbow used in 18495MK kit..... 15.60



- 18619 Faceplate - Heater Control - Plastic..... 13.10
- 18620 Backing plate for heater faceplate..... 4.95
- 18658 Gasket - Heater Core to Case..... 2.84
- 18688 Gasket - Heater Duct to Case..... 2.80



- 18688A Heater Gasket Set 3 Pcs. - Includes: 1 ea 18688; 18658; and 18570 ..... 6.95
- 18954 Band - Used to Tie Htr. Hoses Together..... 2.35

**ADDITIONAL HARDWARE KITS**

- 142A Heater Air Chamber (18471) to Firewall - 3pcs ..... 1.70
- 142B Vacuum Wiper Motor to Body - 4 pcs ..... 1.28
- 323A Heater Hose Bracket (18481) to Apron - 2 pcs ..... 1.19
- 323B Air Control Brackets (01822) to Apron - 4 pc..... 1.25
- 331 Heater Blower Assembly to Apron - 6 pcs ..... 1.86
- 331A 18584A Tie Strap to Duct & Housing - 2 pcs ..... 1.55
- 332 Heater Blower Support Plate to Housing - 5 pc..... 1.15
- 333 Heater Core to Housing, Housing & Inner Heater Box to Firewall - 14 pcs ..... 3.01

## Security Devices



**TRANSMISSION LOCK** - This lock is used on automatic transmission shifters and locks the shifter into the park position. Lock is removed when not in use.

- TRANSLK ..... 38.95



As the value of your tops become higher and higher the possibility of theft becomes greater. Secure your top by replacing your hold down pin (50590) with the special extended guide pin and lock assembly. Use on either soft top or hard top. Each kit includes extended pin, lock and 2 keys.

- TLKA For '55 Shown above ..... 27.55
- TLKB For '56 Before 5/1/56 ..... 27.55
- TLKC For '56/'57 From 5/1/56 ..... 27.55

**CASCO online:  
ClassicTBird.com**

## OUR CUSTOMERS WRITE

"In the little time I have done business with you you have given me excellent service. I am writing to congratulate you on your prompt and courteous service.. Happy to do business with you." New Jersey

"I received the wiper blades...they are great and I for one appreciate the fact that you are one of the few who still turn out a quality product..." Gil Baumgartner - California

"I appreciate your fast service and friendly attitude, reasonable prices and shipping and attention to detail ...will continue to recommend you..." Oklahoma

"Appreciate your prompt shipment of high quality parts. Businesses like you make the T-Bird hobby less frustrating..." Kentucky

"I've been in the auto parts business for 11 years and I'm totally satisfied with your operation and your prices are the best...Another satisfied customer..." Massachusetts

## TECH TIP

- A commonly overlooked shop tool is a camera. What seems so obvious when taking something apart can easily be not so obvious when you need to put it back together. Take a couple of minutes to take detailed photographs as you take it apart. You'll be glad you did.
- After passing the hood release cable wire through the retaining clamp make it more secure by giving the wire a bend of about 45°. This is the way it was done originally.



# RADIO & ANTENNA



- 04454A Spacer Kit Speaker Grille - Set/4 - 57 .....3.40
- 18805A Radio Tube Set - 55 - Without Vibrator .....75.30
- 18805B Radio Tube Set - 56 - Without Vibrator .....101.00
- 18805C Radio Tube Set - 57 .....76.00
- 18805D Radio Vibrator - 6 Volt - 55 .....35.25
- 18805E Radio Vibrator - 12 Volt - 56 .....51.50
- 18805F Wire & Fuse Holder - Radio to Ignition.....15.75



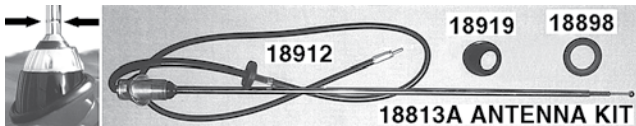
**18806                      18806S                      18806SS**

- 18806 Speaker - Radio - Replacement (6x9x2 5/8).....24.95
- 18806S Stereo Speakers & Wires - Replaces Original Speaker Under Dash .....46.00
- 18806SS Stereo Speakers & Wires - With Pioneer Speakers for Higher Fidelity Sound .....112.00
- 18807 Socket and Wires - Original Underdash Radio Speaker to Radio - Replacement.....15.49



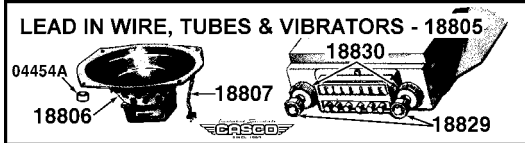
- 18810 Nut - Special - Thin - For Radio Shafts .....95

**Antenna Nut Tool - TL3**  
See page 57



**18813A ANTENNA KIT**

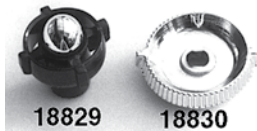
- \*18813A Antenna Kit - Original Type With Groove at the Base - Complete Kit .....62.50
- 18813AR Antenna Kit - Original **Removeable** - Mast unscrews from base for storage- Complete Kit...92.50
- 18813X Antenna Kit - With NO Groove - Complete Kit .....60.50
- 18813B Antenna Kit - Deck Mount - Concours - 57 .....122.50



**LEAD IN WIRE, TUBES & VIBRATORS - 18805**

- 18829D Radio Knob - Black & Chrome - "D" Shaft .....15.75
- 18829S Radio Knob - Black & Chrome - Split Shaft.....15.75

★ T-Bird Fact: Original 55 & 56 radios use 2 - 18829S.  
Original 57 radios use 1 - 18829D & 1 - 18829S.  
Jensen radios use 18829D. Kenwood, Harrison & TBS - FM radios use 18829S.



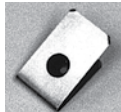
**18829                      18830**

- 18830 Radio Bezel - Disc Knob - Chrome .....13.00



**18832**

- 18832 Condenser - Radio Suppression - For Voltage Regulator - Replacement .....24.95
- 18869 Radio Volume Control Wire '57 .....39.95



- 18870A Hood Grounding Clip - Improves Radio Reception - With Attaching Screw - 55.....3.40

- 18870B Hood Grounding Clip - Improves Radio Reception - With Attaching Screw - 56.....3.40
- #18898 Gasket - Radio Antenna Base .....2.45
- 18912 Grommet - Antenna Lead in Seal & Door.....3.45
- 18919 Stanchion - Antenna - Black Plastic .....10.45



- 533223 Lens - Radio Dial - Plastic - 55.....19.95
- 536273 Lens - Radio Dial - Plastic - 56/57.....19.95

## MODERN STEREO RADIOS



It's never been easier to enjoy your music your way. Choose AM, FM, rear Aux, Mini SD card, USB, or Bluetooth®. Use the ear phone jack from your device and plug into the front auxiliary input to play music from your cell phone, MP3 player, or your portable CD player. Includes chrome "Mustang style" knobs as shown. For new original style knobs order 2 pieces of 18829S split shaft knob and 2 pieces of 18830 radio bezels.

- TBS9 4x25 Watts Chrome Face Multiple Input .....249.00
- TBS10 4x50 Watts Chrome Face Multiple Input .....289.00

## REPRODUCTION RADIOS

New "Repro" radios for your Thunderbird. Look like the original radios but function like a new one. 180 watt maximum power, digitally tuned receiver with analog display, has volume, bass, treble, balance, fade & tuning controls, memory retention with power disconnected, 3.5mm jack for input from satellite radio, iPod, Bluetooth®. Includes original style knobs and bezels.



- TBS2 Repro Radio - looks original - 4x45 Watts.....715.00

## TBS3 town & country Bluetooth®



- TBS3 Repro T&C Radio, looks like original, Functions like a modern radio, 4x45 Watts .....799.00



**AUX**

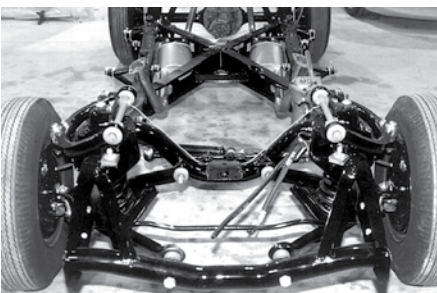


- AUX1 3.5mm Front Input Patch Cable 55" long .....8.95

**POWER INVERTER** to convert 6 volt positive ground to 12 volt negative ground so that modern accessories like the TBS - FM radio above can be used in your '55. Hi power - rated at 2.1 amps (26.5 watts) output. Not recommended for use on accessories over 30 watts.  
**INVERTER** Converts 6 V+ to 12 V - .....108.65

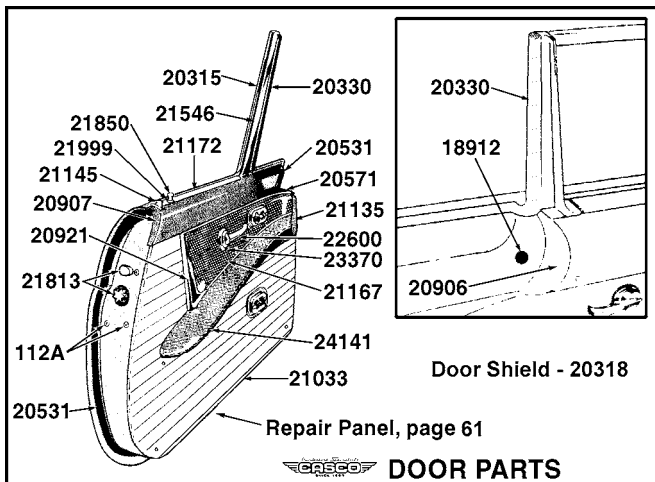
# HOW CAN WE HELP YOU ENJOY YOUR THUNDERBIRD?

- ✓ **Parts** Celebrating our 48th year, we have supplied quality new and reproduced parts and accessories for your Classic Thunderbird since 1969. Prompt attention to your orders and the fairest possible pricing has been the basis of our business. We, like most of you, are hobbyists who love Classic Thunderbirds. We strive to treat you and your order as we would wish to be treated.
- ✓ **Technical Assistance** We welcome the opportunity to share with you the knowledge we have gained over the years as a result of researching parts and painstaking restorations. Just call (740) 622-9700 between 9:00 and 4:00 M - F. Or submit your inquiry via email at [techinfo@ClassicTBird.com](mailto:techinfo@ClassicTBird.com)
- ✓ **Complete Restoration** Since 1979 we have been restoring Classic Thunderbirds for street and show. Because we specialize in '55 - '57 T-Birds we have the special tools and fixtures which allow our expert staff to be efficient in producing top quality work. We are big enough to serve you expertly and efficiently and small enough to give you and your Thunderbird the personal attention you deserve. Stop by or call our restoration shop manager at (740) 622-9700.
- ✓ **Partial Restoration** If your Bird needs only a partial restoration such as a new interior, new wiring, major or minor engine work and rebuilding, dash recovering, engine compartment refurbishing, convertible or hardtop work, trunk reconditioning, or just fixing a few small rust spots, you name it - we are here to help.
- ✓ **Routine Repair Work** If your Bird needs a brake job, exhaust system, shocks, glass replacement, or a tune - up you can put your car in the hands of experts where you can be assured of quality work by knowledgeable and careful workmen.





# DOOR PARTS



## CASCO DOOR PARTS

- #18912 Grommet - Door at Upper Pillar Screw ..... 3.45
- 20314AX Pillar - Door - Upper - 55 - RH - Repro..... 224.95
- 20315AX Pillar - Door - Upper - 55 - LH - Repro. .... 224.95
- 20314BX Pillar - Door - Upper - 56/57 - RH - Repro..... 224.95
- 20315BX Pillar - Door - Upper - 56/57 - LH - Repro. .... 224.95
- 114A HWK- Door Pillars to Doors - 8 Pcs..... 2.25
- 20318 Shield - Plastic Sheet - Between Door & Door Panel - You Trim to Fit for both doors..... 2.00



- 20320 Bracket - Upper Door Pillar - RH..... 13.60
- 20321 Bracket - Upper Door Pillar - LH ..... 13.60
- 114C HWK- Upper & Lower Door Pillar Brackets- 24 pcs ..... 2.74
- #20330 Weatherstrip Door Pillar - Original Size..... 2.97
- #20530-1 Weatherstrip - Doors - Pair - Best Quality..... 75.00
- 20530 Weatherstrip - Door - RH only..... 34.70
- 20531 Weatherstrip - Door - LH only..... 34.70

### DOOR WEATHERSTRIP KIT

YOU SAVE \$2.00

This kit includes all door gaskets and seals: 2 - 20330; 20530 - 1; 20570; 20571; 2 - 22428; 2 - 22448; 2 - 22478; & 2 - 18912. This kit is included in REPAINT kits.

- # DWK For 55; 56; and 57 ..... 100.44



- #20570 Weatherstrip on Door - at Belt - RH - 56/57 ..... 3.20
- #20571 Weatherstrip on Door - at Belt - LH - 56/57 ..... 3.20



- 20572 Retainer - Door Weatherstrip - Above Lock RH - 57 ..... 13.25
- 20573 Retainer - Door Weatherstrip - Above Lock LH - 57 ..... 13.25
- 116A HWK- Door Weatherstrip Retainers - 57 - 4pcs ..... 1.10



- 20768 Shield - Wiring Protector - Door Wiring - RH..... 31.45
- 20769 Shield - Wiring Protector - Door Wiring - LH ..... 31.45
- 116C HWK- Door Wiring Shields to Doors - 4 pcs ..... 1.27
- 20906 Garnish Moulding - Door - Steel - RH ..... 60.10
- 20907 Garnish Moulding - Door - Steel - LH ..... 60.10
- 115 HWK - Door Garnish (20906 - 7) to Door - 8 pcs..... 1.80
- 115A HWK - Door Garnish (20906 - 7) to Door - with oversize threads - 8 pcs..... 2.10

- 20920 Moulding "L Shape" Door Trim - RH..... 17.97
- 20921 Moulding "L Shape" Door Trim - LH ..... 17.97
- 20922 Spacer - door garnish moulding ..... 24.50
- 21032 Retainer - Door Panel at Bottom - 57 - RH ..... 15.60
- 21033 Retainer - Door Panel at Bottom - 57 - LH ..... 15.60
- 116B HWK- Door Panel Retainers - 57 - 8 pcs ..... 1.47



- 21122F Door Access Panel - Steel ..... 59.90
- 119 HWK - Door Access Panels to Doors - 12 pcs ..... 3.45
- 21134 Spacer - Door Moulding - Front - Steel - RH ..... 46.60
- 21135 Spacer - Door Moulding - Front - Steel - LH ..... 46.60
- 116 HWK- Door Moulding Spacers to Door - Includes 351802S Cup Washers - 20 pcs ..... 4.75



- 21144A Plate - Door Garnish Lock Side - RH 1 Hole - Used On Early '55's ..... 30.95
- 21145A Plate - Door Garnish Lock Side - LH 1 Hole - Used On Early '55's ..... 30.95
- 21144 Plate - Door Garnish Lock Side - RH ..... 18.95
- 21145 Plate - Door Garnish Lock Side - LH ..... 18.95
- 111 HWK- Door Garnish Plates to Door - 4 pcs ..... 1.79

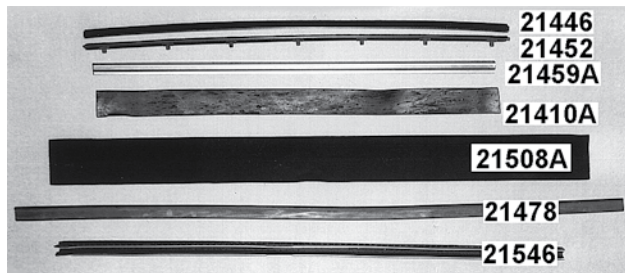


- 21166 Panel - Door Trim - RH - 1st Quality ..... 147.95
- 21167 Panel - Door Trim - LH - 1st Quality ..... 147.95
- 21167PS Panel - Door Trim - LH - With Hole for Power Seat Switches - 1st Quality ..... 156.00
- 21172 Moulding - Trim - Door Garnish - Stainless ..... 33.75
- 113 HWK- Door Garnish Mouldings to Garnish - 18 pcs ..... 7.78



**Note: Because serious concours participants asked for it we can supply quarterly date codes on all T-Bird flat glass. Add \$5.00 to the cost for each piece. Just advise us of the production date of your T-Bird.**

- 21410C Glass - Door - Clear - W/FoMoCo Mark..... 59.00
- 21410T Glass - Door - Tinted - W/FoMoCo Mark..... 59.00
- 21410A Retainer Strip for 21410 Glass at Bottom - Coat with Light Oil; Install Glass & Trim Excess. Enough for One Glass ..... 1.50



- 21446 Weatherstrip - Door Glass - Inner - Pair..... 18.95
- 21452 Weatherstrip - Door Glass - Outer - Pair - W/Clips Installed ..... 24.00



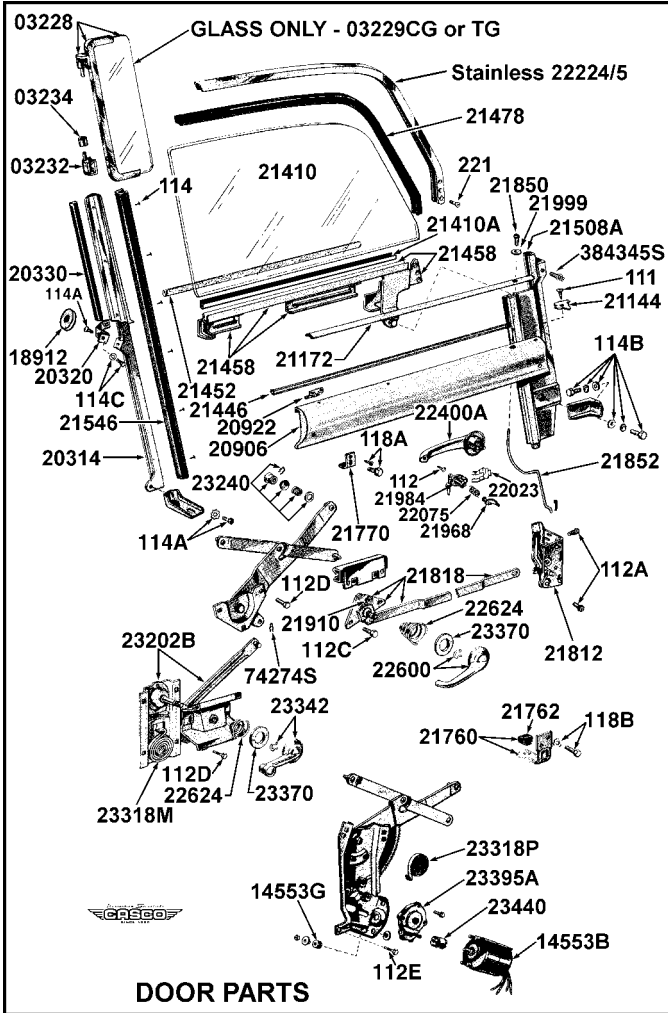
**CAT WHISKER SET**

YOU SAVE \$1.00

21452AK Set of 4: 21446 & 21452 ..... 41.95



- 21458 Channel Assembly - Door Glass - RH ..... 110.95
- 21459 Channel Assembly - Door Glass - LH ..... 110.95
- 21459A Channel Only - Door Glass Lower - Requires Use of Your Guides ..... 19.75
- 21478 Door Glass Upper Retainer Rubber Correct Shape & Size - 55/56 ..... 3.20
- 21478B Door Glass Upper Retainer Strip Correct Cloth Covered Material - 57 ..... 5.10
- 21508A Lining - Lock Side Door Glass Run - 30" - Enough for 1 Car - Glue Into Place ..... 6.65



**DOOR PARTS**

- 21546 Run - Door Glass - Hinge Side ..... 36.00
- 114 HWK- Door Glass Runs to Door Pillar - 12 pcs ..... 2.70
- 21760 Bracket - Lower Window Stop With Bumper ..... 14.68
- 21762 Bumper - Lower Window Stop - Rubber ..... 1.65
- 21770 Bracket - Upper Window Stop - 4 Used/Car ..... 4.10
- 118A HWK- Upper Window Stops to Doors - 12 pcs ..... 2.35
- 118B HWK- Lower Window Stop Brkts to Access Panels ..... 3.98



21812S Spring - Inside Door Lock Assembly ..... 5.20

**RH = PASSENGER SIDE  
LH = DRIVERS SIDE**

**DOOR LOCK ASSEMBLY REBUILD SERVICE**

**\*\*FOR REBUILD SERVICE:** Ship your TBird lock assembly to CASCO with payment and return address. Turnaround is generally 2-3 days.

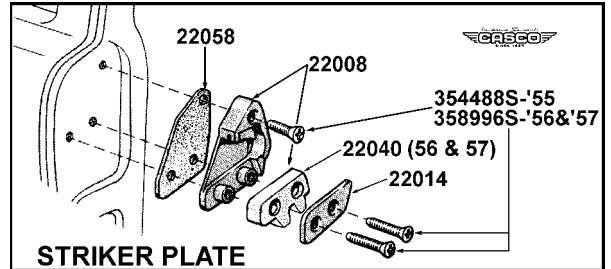
- 21812A Door Lock Assy Rebuild Service\*\* RH 55 ..... 42.00
- 21813A Door Lock Assy Rebuild Service\*\* LH 55 ..... 42.00
- 21812B Door Lock Assy Rebuild Service\*\* RH 56/57 ..... 42.00
- 21813B Door Lock Assy Rebuild Service\*\* LH 56/57 ..... 42.00

- 21812BN Door Lock Assy **NEW** RH 56/57 ..... 119.00
- 21813BN Door Lock Assy **NEW** LH 56/57 ..... 119.00

- 21818 Remote - Door Handle Control - RH ..... 57.25
- 21819 Remote - Door Handle Control - LH ..... 57.25



- 21850 Lock Button - Highly Polished Stainless ..... 7.95
- 21852 Rod - Door Lock Button ..... 11.50
- 21910 Spring - Door Handle Remote ..... 5.20
- 21968 Lever - Door Lock Operating ..... 7.29
- SEE 22050 BELOW for LOCK SETS**
- 21984 Lock - Door - With Keys - RH Complete ..... 31.00
- 21985 Lock - Door - With Keys - LH Complete ..... 31.00
- 21999 Grommet - Door Lock Knob ..... 1.04



**STRIKER PLATE**

- 22008A Plate - Door Lock Striker - RH - 55 ..... 23.25
- 22009A Plate - Door Lock Striker - LH - 55 ..... 23.25
- 22008B Plate - Door Lock Striker - RH - 56/57 ..... 23.25
- 22009B Plate - Door Lock Striker - LH - 56/57 ..... 23.25
- 22014 Striker Plate Cover Plate - 56/57 - RH ..... 15.65
- 22015 Striker Plate Cover Plate - 56/57 - LH ..... 15.65



- 22023A Clip - Door Lock Assembly to Door - RH ..... 4.92
- 22023B Clip - Door Lock Assembly to Door - LH ..... 4.92
- 22040 Insert Only - Door Lock Striker 56/57 ..... 12.40
- 22050 Lock Set - Door & Ignition With Keys - With This Set Both Doors & the Ignition Will Be Keyed the Same - Like Original ..... 72.50

**NOTE: No gasket is used between door lock and door.**



**DOOR AND IGNITION LOCK KIT**

YOU SAVE \$1

22050AK Lock Set - Includes: 1 - 22050; 2 - 21968 and 2 - 22075 ..... 87.58

- 22058 Shim - Door Lock Striker Plate ..... 1.55
- 22075 Spring - Door Lock Operating Lever Retainer ..... 75
- 22224-5K Upper window frame - Stainless - PAIR ..... 695.00
- 22224 Upper window frame - Stainless - RH ..... 275.00
- 22225 Upper window frame - Stainless - LH ..... 275.00
- 221 HWK- Door Glass Stainless to Casting - 6 pcs ..... 1.74

**TECH TIP**

□ If you can unlock your T-Bird by repeatedly pushing the outside door handle button then you have the inside door lock button (21850) screwed down too far.

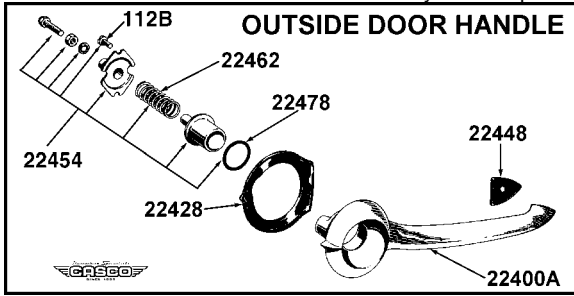


Tech help: (740) 622-9700

sales@ClassicTBird.com

# DOOR PARTS

22225ADH Adhesive Repair Kit to Hold In Place Door Glass Stainless That Have Become Sprung  
This Product Is Recommended By Our Shop..... 13.95



\*22400A Door Handle Die Casting - Chrome plated, pair.... 42.00  
\*112 Hardware- Outside Door Handles to Door - 4 pcs..... 1.81



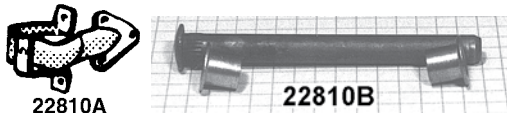
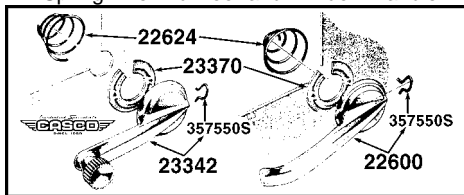
#22428 Pad - Outside Door Handle - Large..... 1.45  
#22448 Pad - Outside Door Handle - Small..... 1.20

22454A Outside Door Handle Button 55/56 ..... 48.20  
22454B Outside Door Handle Button 57 ..... 48.80  
112B Hardware- Door Push Buttons to Door Handles - 4 pcs .... 1.23

22462 Spring - Outside Door Handle Button..... 1.10  
#22478 Seal - Outside Door Handle Button..... 1.30

**Door & Window Handle Removal Tool**  
See page 57

22600A Handle - Door Inside - 55/56 ..... 23.00  
22600B Handle - Door Inside - 57 ..... 23.00  
22624 Spring - Behind Door and Window Handle ..... 1.45

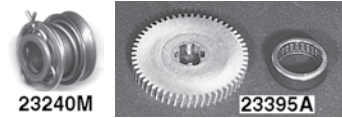


22810A Door Hinge Repair Service - Send us your door hinges and we will repair them with new pins & bushings (per hinge price)..... 38.00  
22810B Pin & Bushing Kit for door hinge. Comes with instructions, for one hinge. *NOTE: Installation of this kit requires some machining operations.* ..... 7.95  
118 Hardware- Door Hinge to Body and Door (for one hinge) .. 4.35

23202B Regulator - Window - Manual - RH ..... 118.75  
23203B Regulator - Window - Manual - LH..... 118.75

23208P Power window kit - Replace your worn out power windows with all new relays, motors, wiring, regulators..... 1215.00

23234A Window Scissors - RH 55/56 ..... 140.00  
23235A Window Scissors - LH 55/56 ..... 140.00  
23234B Window Scissors - RH 57 ..... 140.00  
23235B Window Scissors - LH 57 ..... 140.00



23240M Roller Window Regulator All Metal - 3/Door ..... 11.25  
23240X Roller Window Regulator Plastic Replacement..... 3.25  
23318M Spring - Manual Window Regulator Assy ..... 8.35  
23318P Spring - Power Window Regulator Assy ..... 8.35  
23342A Handle - Window Regulator - 55/56 ..... 26.25  
23342B Handle - Window Regulator - 57 ..... 37.95  
23370 Plate - Window or Door Handle..... 2.45  
23395A Repair Kit - Power Window Transmission ..... 63.88  
23440 Coupling - Power Window Motor to Drive ..... 16.60



23504 Door Check Arm - cadmium plated ..... 10.85



24140 Arm Rest Body - RH - Fiberglass With Foam Rubber Pad - No Covering (See Upholstery Section for Covering - Page 2) ..... 124.55  
24141 Arm Rest Body - LH - Fiberglass With Foam Rubber Pad - No Covering (See Upholstery Section for Covering - Page 2) ..... 124.55  
117 Hardware kit- Arm Rests to Door Panels - 16 pcs ..... 2.10  
24141A Foam Only For Armrests - Adhesive Back - Die Cut - Pair..... 9.25  
76001S Door Check Strap Retainer Pin & Clip ..... 5.85

**OUTSIDE MIRROR**

NOTE: NO GASKET WAS ORIGINALLY USED UNDER THE OUTSIDE MIRROR. WE SUPPLY A PAPER GASKET (17696D) WITH THE MIRROR. ALSO AVAILABLE IS 17696E - SAME AS 17696D BUT RUBBER.



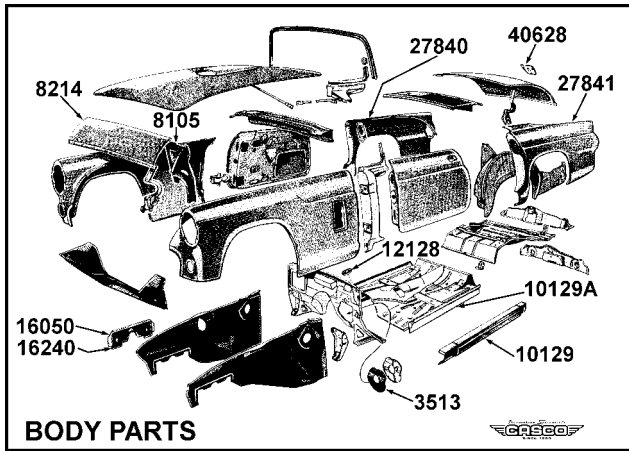
\*17696A Mirror - Outside - Original Type With Stainless Steel Removable Head - 55 - 1 Hole Base - With Screws ..... 52.00  
\*17696B Mirror - Outside - Original Type With Stainless Steel Removable Head - 56/57 - 2 Hole Base With Screws..... 45.00  
119A Hardware- Outside Mirror to Door - 55 - 2 pcs ..... 1.60  
119B Hardware - Outside Mirror to Door - 56/57 - 2 pcs..... 1.15  
17696C Mirror Head Only - Stainless Steel..... 16.00  
#17696D Gasket - Outside Mirror Base to Door (Included With 17696A and 17696B) ..... 2.00  
17696E Gasket - O/S Mirror - Rubber - No Bead..... 2.35

**ADDITIONAL HARDWARE KITS FOR THIS AREA**

112A Door Lock Assembly to Door - 14 pcs ..... 4.75  
112C Door Remotes to Doors - 6 pcs..... 5.55  
112D Manual Window Assys to Doors - 26 pcs ..... 19.90  
112E Power Window Assys to Doors - 12 pcs..... 10.32  
114B Window Rear Channels to Doors - 6 Pcs..... 1.22  
220 Lower Windwing Hinges to Windwing Frames 8 pcs ..... 1.53

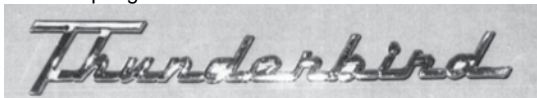
\* INCLUDED IN EXTERIOR TRIM KIT - Pg 67  
† INCLUDED IN FENDER SKIRT KIT

# REAR QUARTERS & SKIRTS

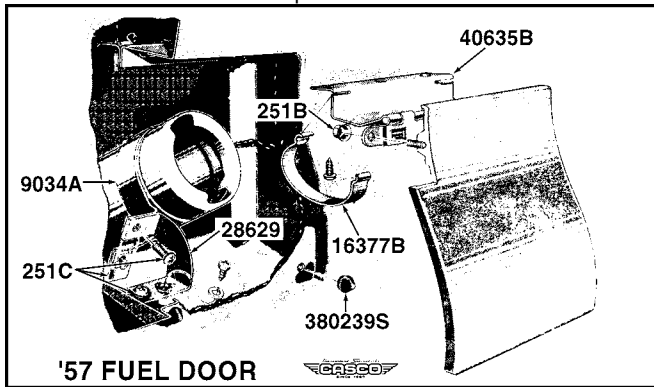


**BODY PARTS**

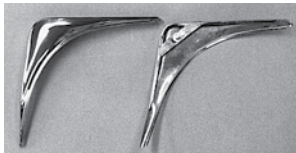
- 9034A Strap - Solders to Gas Filler Neck - 57 ..... 12.90
- 10128 Rocker Panel - RH NOS Ford ..... 800.00
- 16377B Spring - Gas Filler Lid - 57 - 2 Used/Car ..... 5.13



- \*25622 Thunderbird Script - 55/56 ..... 28.54

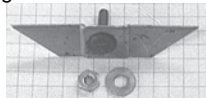


**'57 FUEL DOOR**



**STONE GUARDS AVAILABLE IN PAIRS ONLY**

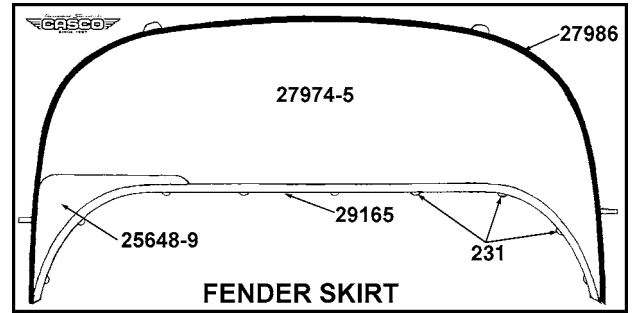
- †25648-9 Stone Guards - Fender Skirts With Attaching Parts - PAIR ..... 113.84



- 25650 Bracket for Attaching Stone Guards - Included With Stone Guards Above ..... 5.00
- 27840AT Rear Quarter - RH - 55/56 NOS ..... CALL



- 27883 Plug Kit - Quarter Panel Drain - With Button Plugs - As Original ..... 6.40



**FENDER SKIRT**

- †27974-5 Fender Skirts - Pair - Without Trim Or 27986 Seals - Steel Reproductions ..... 399.95

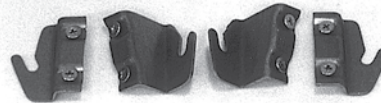
**FENDER SKIRT KIT**

YOU SAVE \$24.00

This Kit Consists of a Pair of Fender Skirts, Skirt Seals, RH & LH Stainless Mouldings, Stone Guards, and Attaching Hardware.

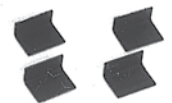
Items in This Kit Have a † In Front of The Part Number

- 27974-5K Fender Skirt Kit ..... 719.02



**27975A**

- 27975A Clip Set to Attach Skirts to Quarter Panel - Set of All 4 With Screws ..... 33.50



**27975B**

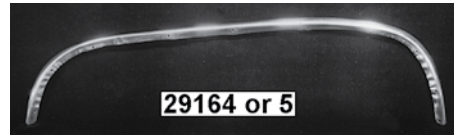
- 27975B Tabs - Welds to Quarters to Hold Skirts at Top - Package of 4 Pcs ..... 1.60

- †27986 Seal - Fender Skirt - Need 2/Car (attached with staples, listed below in hardware) ..... 12.98



**9034A**

- 28629 Bracket - Fuel Inlet Tube to Rear Quarter - 57 ..... 10.45



**29164 or 5**

- †29164 Moulding - Fender Skirt - RH ..... 94.62
- †29165 Moulding - Fender Skirt - LH ..... 93.95
- 40628 Door - Gas Filler - 55/56 ..... 85.95
- 40635A Hinge - Gas Filler Door - 55/56 ..... 48.48
- 40635B Hinge - Gas Filler Door - 57 ..... 48.74

**HARDWARE KITS FOR THIS AREA - Complete List - Page 44**

- 230 Skirt Clips to Quarter Panel - 8 pcs ..... 1.65
- †231 Skirt Trim (29164 - 5) to Skirts - 18 pcs ..... 1.70
- \*241A Thunderbird Scripts to Body - 55/56 - 8 pcs ..... 2.60
- 251B Gas Filler Lid to Hinge - 57 - 3 pcs ..... 2.24
- 251C Fuel Inlet Brkt to Tube & Rear Qtr - 57 - 5 pcs ..... 1.50
- 400A Body to Frame W/O J - Nuts - 55 - 42 pcs ..... 33.00
- 400B Body to Frame W/O J - Nuts - 56 - 48 pcs ..... 38.55
- 400C Body to Frame W/O J - Nuts - 57 - 56 pcs ..... 29.85
- 400D Body to Frame J - Nuts Only - All Years - 10 pcs ..... 43.00
- 400E Body to Frame rubber bumpers & clips - 20 pcs ..... 35.75
- †900 Staples - Like Original for Seals and Weatherstrip - Pkg 50 ..... 13.00
- 900A Staples - as 900 but Pkg 12 Only ..... 3.00

**GIFT CERTIFICATES**

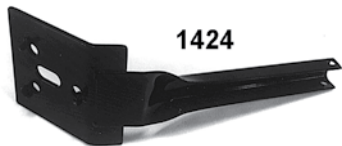
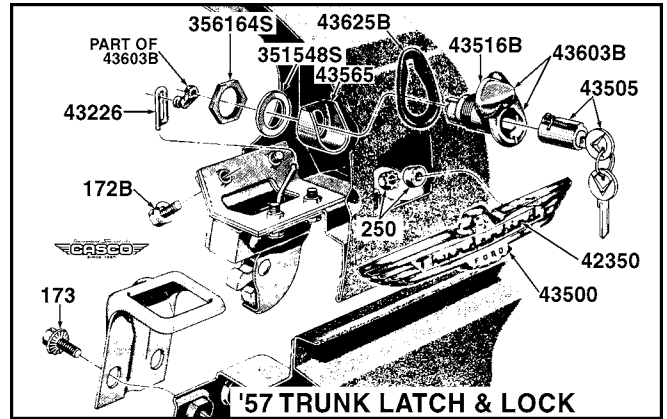
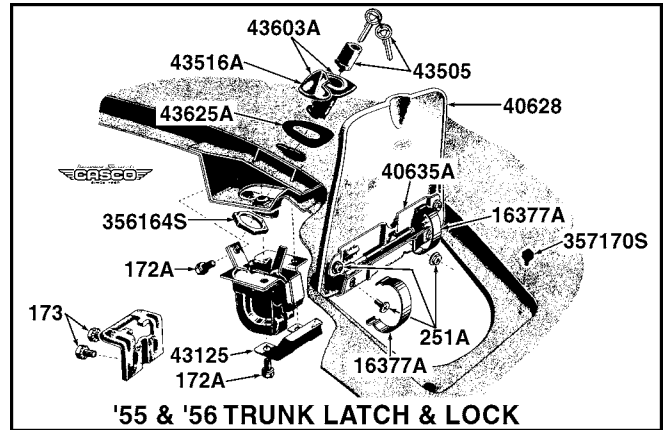
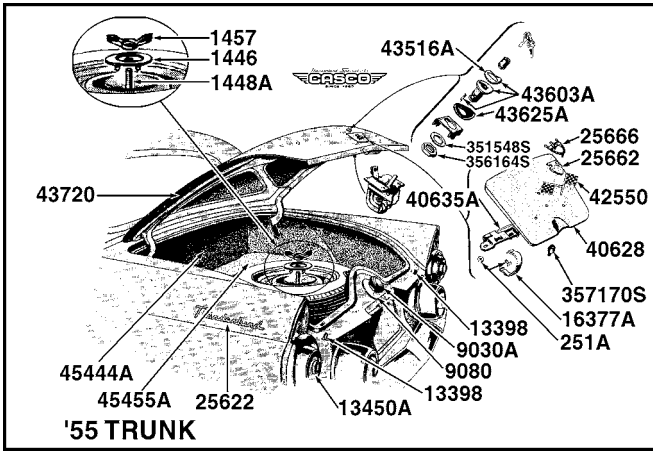
Available in any denomination. The perfect gift for the person who has "everything"!

☆ **T-BIRD FACTS**

- The backup lights on a T-Bird will only operate when the lights are on.
- T-Birds with automatic transmissions are designed to start in neutral only; they will not start in park.



# TRUNK



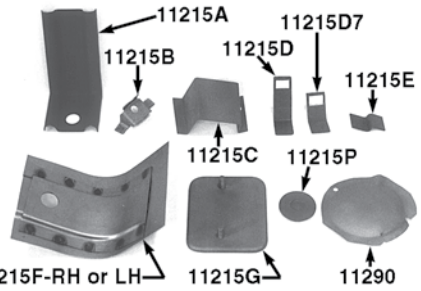
- 1424 Bracket - Spare Wheel Retaining - 57.....39.90
- 1446 Clamp - Spare Wheel - 55.....8.00



- 1448A Bolt - Spare Wheel - 55.....8.35
- 1448B Bolt - Spare Wheel - 57 - 5" Long.....15.20
- 1448C Bolt - Spare Wheel - 57 - 6" Long.....15.97



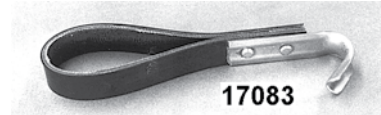
- 1457 Wingnut - Spare Wheel - Like Original  
With Rubber Coated Wings - 55 & 57.....13.95
- 1457X Wingnut - Spare Wheel Replacement - 55 & 57.....4.00
- #9080 Grommet - Gas Filler Neck Tube - 55/56.....7.30
- 11215A Brace - Trunk Floor to Rear Panel - 55/56.....24.00



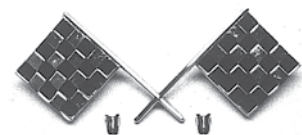
- 11215B Bracket - Spare Wheel Bolt - Welds to Trunk Floor - 55.....9.45
- 11215C Support - Spare Wheel - Welds to Trunk Floor - 55.....7.30
- 11215D Bracket - Jack Strap Retainer - Welds to Trunk Floor - 55/56.....3.40
- 11215D7 Bracket - Jack Strap Retainer - Welds to Trunk Floor - 57.....3.40
- 11215E Bracket - Jack Post - Welds to Wheelhouse.....1.30
- 11215F-LH Repr Panl - Forward Trunk Body Mount - LH.....41.95
- 11215F-RH Repr Panl - Forward Trunk Body Mount - RH.....41.95
- 11215G Reinforcement Plate & Studs - For Swing - bar Foot - Mounts Under Trunk Floor.....28.50
- 11215P Plug - Wheel Well Plug - 57.....1.90
- 11290 Cover - Fuel Gauge - on Trunk Floor - Steel.....10.50



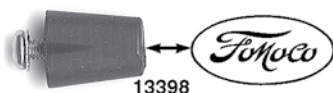
- 16377A Spring - Gas Filler Lid - 55/56 - 2 Used/Car.....5.13
- 16377B Spring - Gas Filler Lid - 57 - 2 Used/Car.....5.13



- 17083 Jack Strap.....15.70
- 22007A Spring - Deck Lid Lock Cyl Cover - 55/56.....3.50
- 22007B Spring - Deck Lid Lock Cyl Cover - 57.....3.79
- 25622 Thunderbird Script 55/56.....28.54
- 25662 Medallion - Trunk - 55.....20.90
- 25666 Retainer for 25662 - Chrome.....21.98
- 40628 Door - Gas Filler - 55/56 - With FoMoCo.....85.95
- 40635A Hinge - Gas Filler Door - 55/56.....48.48
- 251A Gas Filler Lid to Hinge and Hinge to Deck Lid 55/56 - 7 pcs.....1.75
- 40635B Hinge - Gas Filler Door - 57.....48.74
- 251B Gas Filler Lid to Hinge - 57 - 3 pcs.....2.24
- \*42350 Plastic Insert - 57 - Trunk Handle.....15.40



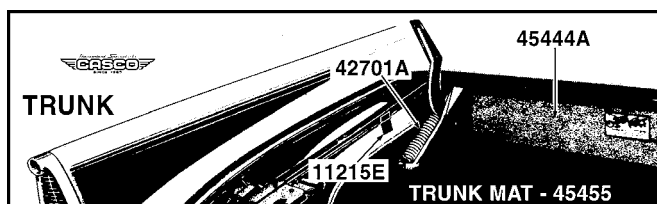
- \*42550 Insignia - Crossed Flag - 55 - With Attaching Parts.....12.90



- #13398 Bumpers - Trunk Lid 55/56 - Pair With FoMoCo Oval & Screws - Pkg of 2.....12.50

## NEW! TRUNK REPAIR PANELS BY CASCO LISTED ON PAGE 73

RH = PASSENGER SIDE  
LH = DRIVERS SIDE



- 42701A Spring - Trunk Hinge - 55/56 ..... 27.00
- 42701B Spring - Trunk Hinge - 57 - Stronger Than 42701A 16.95
- 43125 Cover - Trunk Lock Access - 55/56 ..... 10.45
- 43226 Link - Trunk Lock Actuating - 57 ..... 3.10
- \*43500 Trunk Handle - Die Cast - 57 ..... 24.15



**TRUNK HANDLE & INSERT KIT**  
YOU SAVE \$ .50

- 43500AK Trunk Handle and 42350 Insert ..... 39.05

- 43505 Deck Lid Lock Cylinder & Keys ..... 38.95
  - 43516A Flip Lid - Trunk Lock Cylinder - 55/56 ..... 15.70
  - 43516B Flip Lid - Trunk Lock Cylinder - 57 ..... 15.70
- FOR FLIP LID RETAINING SPRING SEE PART # 22007A & 22007B



Flip - lid  
only  
43516

- 43565 Spacer - Trunk Lock Sleeve - Plated - 57 ..... 7.35
  - 43603A Sleeve Assy - Deck Lid Lock Cylinder\*\* - 55/56 ..... 56.95
  - 43603B Sleeve Assy - Deck Lid Lock Cylinder\*\* - 57 ..... 37.40
- \*\*Includes flip - lid



- #43625A Pad - Trunk Lock Cylinder - 55/56 ..... 4.15
- #43625B Pad - Trunk Lock Cylinder - 57 ..... 4.15
- #43720 Weatherstrip - Deck Lid - Original Shape  
Made With Super Soft Foam Material ..... 25.95

**OUR CUSTOMERS WRITE**  
"I am very pleased...everything arrived in great shape. And truly was impressed with parts labeling, very clear and consistent quality. Thank you for your attention to details. It sets you ahead of the others." ...Wisconsin

★ **T-BIRD FACT**

□ The 292 engine was available all 3 years but the 312 engine was available only in '56 & '57.

**REPAINT KIT - BODY GASKETS & SEALS**

When you repaint your T-Bird you will want to replace the gaskets, seals, and grommets as you re - assemble. This kit consists of the most popular of these items and includes: Door Weatherstrips, Trunk Weatherstrips, Door Handle Pads, Door Handle Button Seals, Antenna Base Grommet, Trunk Lock Cylinder Pad, Mirror Gasket, Parking - Tail & Backup Lens Gaskets & Pads, Gas Lid Bumpers, Gas Fill Neck Grommet (55/56), Hood Pad, Wiper Arm Seals, Washer Jet Seals, Rear Latch Plate Gaskets, Door Pillar Weatherstrips & Button Seals, Outside Die Cut Side Vent Seals (56/57), Hood Bumpers (56/57), and Rear Stone Deflector - (57). Skirt Seals are not included. Individual items in these kits are marked with a # preceding the part number throughout the catalog.

- REPAINT55 For 55...YOU SAVE \$8.00 ..... 216.15
- REPAINT56 For 56...YOU SAVE \$9.00 ..... 230.17
- REPAINT57 For 57...YOU SAVE \$8.00 ..... 212.51

**TRUNK SEAL KIT**  
YOU SAVE \$1.00

All the seals, gaskets and bumpers attached to the trunk lid are included in these kits.

- TSK556 For 55/56 ..... 35.35
- TSK57 For 57 ..... 34.80



- #43720A Bumper - Rear Deck Lower Corners - 57 ..... 2.85



- 45415A Trunk Side Cardboard - 55 - 1 Pc ..... 8.00
- 45415B Trunk Side Cardboard - 56 - Pair ..... 16.00
- 45415C Trunk Side Cardboard - 57 - Set ..... 17.00
- 45444 Trunk Back Panel - Ready to Paint - 55 Only ..... 10.50
- 45444A Trunk Back Panel - Painted Grey With  
Jacking Instructions Sheet - Used 55 Only ..... 21.95
- 45455B Trunk Mat set - rubber - 56 ..... 289.95

Since no '55 trunk mats are available at this time, we are advising our customers that the '56 Burtex mat listed below, while not correct, can be slightly modified (by the customer) for use in a '55 trunk.

- 45455CC Trunk Mat Burtex - Complete -Replacement-56.. 120.52
- 45455DC Trunk Mat Burtex - Complete -Replacement-57.. 116.15

THE BURTEX TRUNK MAT WAS SUPPLIED  
ON 56's MADE AFTER MAY 1956

- 45455M CARPET Trunk Mat - Non-original replacement
- 55BK - black 55RD - red 55TQ - turquoise 56TN - tan
- 56BK - black 56PC - peacock 56RD - red 56SG - sage green ..
- 57BK - black 57BL - blue 57BZ - bronze 57GN - green 57RD - red
- Trunk mat that matches interior carpet 55/56..... 121.95
- Trunk mat that matches interior carpet 57..... 121.95

**HARDWARE KITS for this area - Complete List - Page 44**

- 170 Trunk Side Cardboards to Body - 57 - 13 pcs ..... 2.15
- 171 Trunk Divider Board Screws - 55 - 5 pcs ..... 1.55
- 172A Trunk Latch Assembly to Trunk Lid - 55/56 - 3 pcs ..... 1.55
- 172B Trunk Latch Assembly to Trunk Lid - 57 - 4 pcs ..... 1.95
- 173 Trunk Latch Striker to Body - 4 pcs ..... 2.75
- 174 Trunk Lid to Hinges - 12 pcs ..... 1.95
- \*242 Crest Medallion (25666) - With Pad - 3 pcs.  
One Kit Needed for Each Medallion ..... 1.25
- \*250 Trunk Handle (43500) to Insert and Deck  
Lid With Wedge Washers - 11 pcs ..... 5.95
- 250A Trunk Handle (43500) to Insert and Deck  
Lid Without Wedge Washers - 9 pcs ..... 3.55
- 251A Gas Filler Lid to Hinge and Hinge to Deck  
Lid 55/56 - 7 pcs ..... 1.75
- 253 License Plate Holder to Body - 55 - 6 pcs ..... 1.50

# INCLUDED IN REPAINT KIT - BELOW

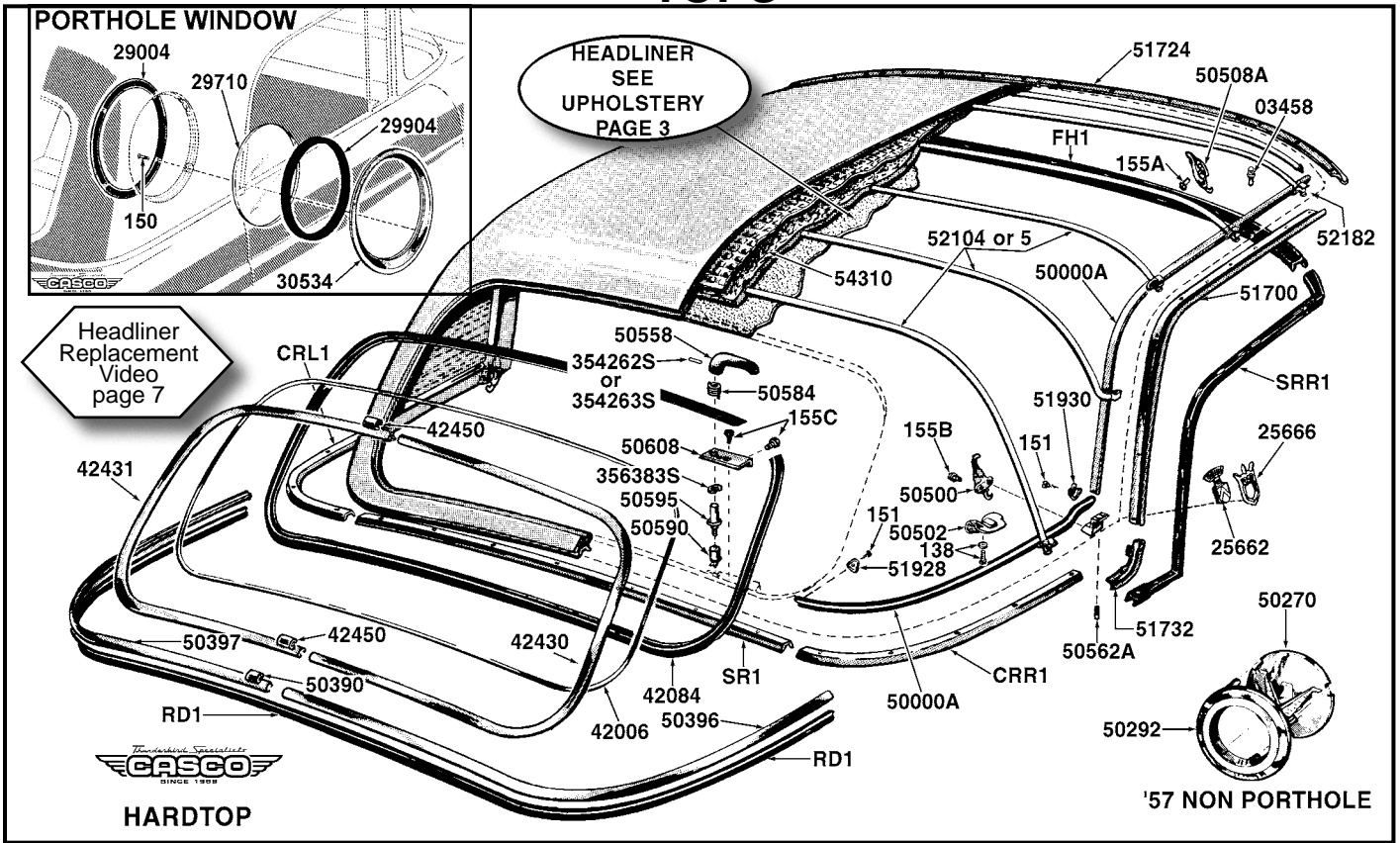
\* INCLUDED IN EXTERIOR TRIM KIT - BELOW

**EXTERIOR TRIM KIT**

Brighten the exterior of your T-Bird with new chrome - A must for a new paint job! Our kit includes the best quality exterior trim items available. They include: Louver Trims, Thunderbird Scripts, Crossed Flags (55), V8 Emblems (55), Outside Door Handle Castings, Antenna, Outside Mirror, Crest Emblems and Medallions (2 each 55/56), Hood Scoop Emblem, Front Emblem & Insert (56/57), Trunk Emblem & Insert (57), and all attaching hardware kits for these items. You will find that the individual items in these kits are marked with an \* preceding the part number throughout the catalog.

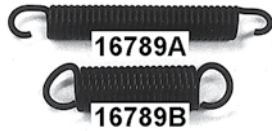
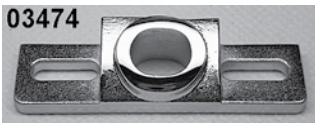
- EXTRIM55 For 55...YOU SAVE \$20.00 ..... 519.23
- EXTRIM56 For 56...YOU SAVE \$20.00 ..... 499.97
- EXTRIM57 For 57...YOU SAVE \$15.00 ..... 459.53

# TOPS



- 03458 Alignment Dowel - Top Header..... 10.45
- 03458NUT Retainer "Nut" for 03458 - Soft Top..... 1.30
- 03474 Front top dowel striker..... 24.98
- 107 HWK- Header Dowel Strikers to Header 8 pcs ..... 1.00

03474



- 16789A Spring - Swing Bar - Early - 7/8" Diameter by 6 3/4" Long ..... 12.62
- 16789B Spring - Swing Bar - Late - 1 1/8" Diameter by 4 1/2" Long ..... 12.20
- 25662 Medallion insert - Hardtop - 55 ..... 20.90
- 25666 Crest Retainer for 25662 - Chrome..... 21.98
- 242 Hardware & pad for one Crest Medallion- 3 pcs. .... 1.25
- 29000 Spacers - Fiberglass - For Adding Portholes to Non Porthole Top (comes in 30000 kits) ..... 156.97
- 29004 Inner Porthole Ring - Chrome Plated - Pair ..... 50.65
- 29710C Glass - Porthole - Clear - FoMoCo Mark..... 18.00
- 29710T Glass - Porthole - Tinted - FoMoCo Mark ..... 18.00
- 29904 Seal - Porthole Glass ..... 4.90
- 29904A Seal - Porthole Glass - Molded - Seamless ..... 8.20
- 30534 Outside Porthole Rings - Pair..... 86.00
- 150 HWK- Porthole Rings to Hardtop - 12 pcs ..... 2.60



## PORTHOLE INSTALLATION KIT YOU SAVE \$10.00

Porthole Installation Kit - Includes Inner and Outer Rings, Spacers, Gaskets, Screws and Glass With FoMoCo Mark, & Installation Instructions. Requires 4 Bow Headliner Sold Separately See Page 3.

- 30000CK Kit - With Clear Glass..... 332.02
- 30000TK Kit - With Tinted Glass..... 332.02

- 42006CG Glass - Hardtop Backlite - Clear..... 299.00
- 42006TG Glass - Hardtop Backlite - Tinted ..... 299.00
- 42084 Weatherstrip - Back Window Glass..... 42.50
- 42430 Rear glass moulding - RH ..... 189.00
- 42431 Rear glass moulding - LH ..... 189.00
- 42430-1 Rear glass moulding set - RH & LH ..... 369.00
- 42450 Clip - Rear Window Joint..... 9.57
- 50000A Hardtop Tack Strip Set ..... 21.98
- 50000B Softtop Tack Strip Set..... 36.00
- 50001B Retainer Channel Kit - Rear Tack Strip ..... 159.50
- 50270 Medallion - Non Porthole Top - 57 ..... 24.33
- 50292 Retainer - Non Porthole Top Medallion - 57 ..... 16.70



- 50300A Convertible Top Pins - Stainless - Set of 6 with Clips (replaces riveted pins) ..... 35.95

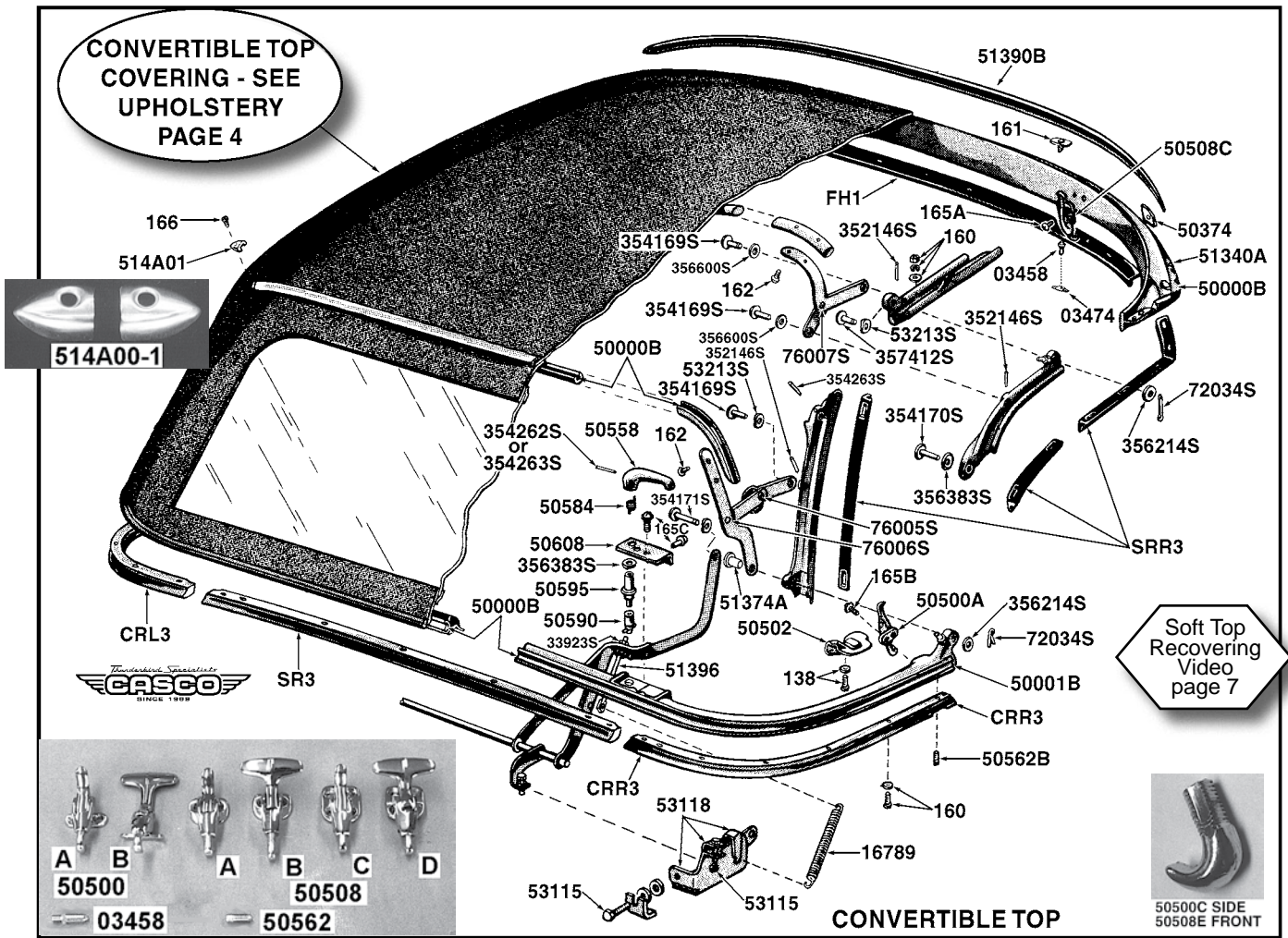


- 50300B Convertible Top Pins - Removable Type With Retainers - Early Type Top - 12 Polished Stainless Pins and Retainers - 24 Pcs ..... 69.95
- 50300C Same as 50300B Except for Later Tops 16 Polished Stainless Pins & Retainers - 32 Pcs... 79.95

**Note: For a complete set of stainless soft top pins, order the 50300A and either the 50300B or 50300C**



**CONVERTIBLE TOP COVERING - SEE UPHOLSTERY PAGE 4**



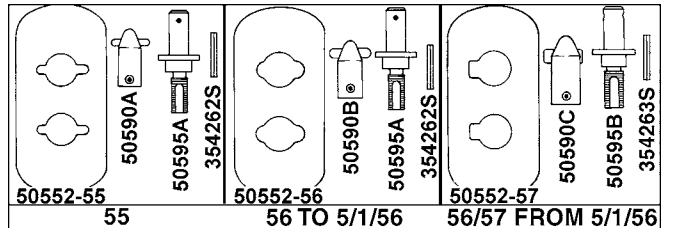
Soft Top Recovering Video page 7

**CONVERTIBLE TOP**

**REPLACEMENT SOFT TOP PIN COVERS**  
 Dress up your chrome convertible top pins with out removing them. Simply clean your top pins and cement top pin covers in place. Caps are press formed and hand polished from 304 stainless.

- 50300A-RC Pin covers - riveted pins ..... 19.95
- 50300B-RC Pin covers - removable pins on an early top ..... 42.95
- 50300C-RC Pin covers - removable pins on a late top ..... 52.95

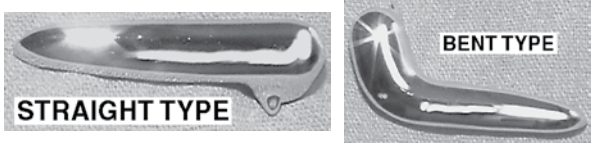
- 50374 Retainer - F/T Header Trim - End - RH ..... 5.00
- 50375 Retainer - F/T Header Trim - End - LH ..... 5.00
- 50390 Clip - Hardtop Lower Rear Moulding ..... 8.05
- 50396 Hardtop Lower Rear Moulding - RH ..... 144.64
- 50397 Hardtop Lower Rear Moulding - LH ..... 144.64
- 50500A Side Clamp W/J Hook - To 5/1/56 ..... 83.65
- 50500B Side Clamp W/J Hook - From 5/1/56 ..... 82.85
- 155B Hardware- Hardtop Side Clamps to Top - 4 pcs ..... 2.75
- 165B Hardware- Soft Top Side Clamps to Top - 4 pcs ..... 2.63
- 50500C J - Hook - Top Side Clamp ..... 21.65
- 50502 Plate - Top Side Holddown - Chrome - RH ..... 78.75
- 50503 Plate - Top Side Holddown - Chrome - LH ..... 78.75
- 138 Hardware- Side Holddown Plates to Body - 12 pcs ..... 2.05
- 50508A Front Clamp w/J Hook - Hardtop - To 5/1/56 ..... 84.57
- 50508B Front Clamp w/J Hook - Hardtop - Frm 5/1/56 ..... 83.50
- 155A Hardware- Hardtop Front Clamps to Top - 8 pcs ..... 2.75
- 50508C Front Clamp w/J Hook - Softtop - To 5/1/56 ..... 93.50



#INCLUDED IN REPAINT KIT - Pg 67

- 50508D Front Clamp w/J Hook - Softtop - Frm 5/1/56 ..... 93.50
- 165A Hardware- Soft Top Front Clamps to Top - 8 pcs ..... 4.49
- 50508E J - Hook Front Clamp ..... 20.35
- 50530 Plate - Front Hold Down Latch ..... 15.90
- 50552-55 Top Hold Down Plate on Deck - 55 - RH ..... 49.55
- 50552-56 Top Hold Down Plate - 56 - To 5/1/56 - RH ..... 49.55
- 50552-57 Top Hold Down Plate - 56/57 - From 5/1/56 - RH ..... 49.55
- 50553-55 Top Hold Down Plate on Deck - 55 - LH ..... 49.55
- 50553-56 Top Hold Down Plate - 56 - To 5/1/56 - LH ..... 49.55
- 50553-57 Top Hold Down Plate - 56/57 From 5/1/56 - LH ..... 49.55
- 137 Hardware- Rear Holddown Plates (50553) to Deck- 10 pc 2.90

#50553A Gasket - top rear hold down latch plate to body ..... 2.00



- 50558A Lever - Rear Clamp - Bent Type for 55/56 Before 5/1/56 - RH ..... 35.00
- 50558B Lever - Rear Clamp - Straight Type for 56/57 From 5/1/56 - RH ..... 35.00
- 50559A Lever - Rear Clamp - Bent - 55/56 - LH ..... 35.00
- 50559B Lever - Rear Clamp - Straight - 56/57 - LH ..... 35.00
- 50562A Alignment Dowel Side Hold Down Clamp - Hardtop ..... 11.35
- 50562B Alignment Dowel - Side Hold Down Clamp - Folding Top ..... 11.35
- 50584A Spring - Return - Rear Clamp Handle - RH - Use With Bent Handle ..... 3.05



Tech help: (740) 622-9700

sales@ClassicTBird.com

# TOPS

- 50584B Spring - Return - Rear Clamp Handle - RH -  
Use With Straight Handle.....3.05
- 50585A Spring - Return - Rear Clamp Handle - LH -  
Use With Bent Handle.....3.05
- 50585B Spring - Return - Rear Clamp Handle - LH -  
Use With Straight Handle.....3.05
- 50590A Fastener - Rear Hold Down Clamp - 55.....13.75
- 50590B Fastener - Rear Hold Down Clamp - 56 -  
Before 5/1/56.....13.75
- 50590C Fastener - Rear Hold Down Clamp - 56/57 -  
From 5/1/56.....13.75
- 50595A Stud - Rear Hold Down Clamp - 55/56 -  
Before 5/1/56.....11.50
- 50595AXL Stud - same as 50595A with 1" longer thread.....23.00
- 50595B Stud - Rear Hold Down Clamp - 56/57 -  
From 5/1/56.....11.50
- 50595BXL Stud - same as 50595B with 1" longer thread.....23.00
- 50608 Plate - Rear Hold Down Clamp - RH.....24.65
- 50609 Plate - Rear Hold Down Clamp - LH.....24.65
- 155C Hardware- Hardtop Rear Clamp Plates to Top - 8 pcs.....2.50
- 165C Hardware- Soft Top Rear Clamp Plates to Top - 8 pcs.....3.85

- 51374A Sleeve - Convertible Top at Lift Bar  
Assembly Connection - Plated - Each.....5.25
- 51390B Header Trim - One piece, Stainls, for soft top .....262.50
- 161 Hardware- Soft Top Front Header Trim to Frame - Includes  
50374 & 50375 End Retainers - 22 pcs .....22.65
- 161A Hardware- Soft Top Front Header Trim to Frame -  
Without 50374 & 50375 End Retainers - 20 pcs .....10.00
- 51396 Bolt - Special - Soft Top Lift Bar Spring with  
Nuts - Cad/Zinc Plated .....2.50
- 514A00-1 End Tips - Soft Top Wireon - Like Original - Pair  
RH & LH - 2 Pair Used/Car .....N/A
- 166 Hardware- Soft Top Binding Joint Covers to Top - 4 pcs.....1.25
- 51700 Trim Moulding - Over Door - RH .....115.32
- 51701 Trim Moulding - Over Door - LH.....115.32
- 51724 Trim Moulding - Hardtop Header.....146.57
- 51732 Trim Moulding - Hardtop - Lower Corner - RH .....54.00
- 51733 Trim Moulding - Hardtop - Lower Corner - LH.....54.00
- 51928 End Tip - Roof Headliner Binding -  
Chrome Plated - 2 Used per Car.....6.12
- 51930 Clip - Angle Trim for Headliner - 4/Car .....8.20
- 52104 Bows - Hardtop - Set of 4 - 56/57 & All  
Tops With Portholes .....52.75
- 52105 Bows - Hardtop - Set of 5 - 55 & 56 .....55.00
- 162 Hardware- Soft Top Bows to Frame - 16 pcs .....2.00
- 52182 Hardtop Front Bow Clip - Replacement .....2.75
- 52183 Hardtop Bow Socket .....4.00
- 53038B Foam - Soft Top Header - Original With One  
Piece Stainless Header Trim  
But can also be used with two piece trim .....7.55
- 53115 Bolt - Special - Swingbar Feet Adjusting - 2 Used  
Per Foot Assy - Included With 53118 - 9's .....3.65
- 53118A Foot Assy - Swingbar - Early Type - RH.....57.25
- 53119A Foot Assy - Swingbar - Early Type - LH.....57.25
- 53118B Foot Assy - Swingbar - Late Type - RH.....57.25
- 53119B Foot Assy - Swingbar - Late Type - LH.....57.25
- 168 Hardware- Soft Top Swing Bar Feet to Floor Pan - 12 pc..1.80
- 168A Hardware- Swing Bar Feet Halves to Each Other 14pc..3.90
- 54310 Insulation - Fiberglass - Hardtop - Goes  
Between Headliner & Top.....16.00

### HARDTOP EDGE TRIM KIT

YOU SAVE \$30.00

Hardtop Edge Trim Stainless Kit is a full set of stainless around the edges of the hardtop. 1 ea of part #'s 50390, 50396, 50397, 51700, 51701, 51724, 51732, & 51733.

51000K Kit - Hardtop Trim Moulding .....650.50

153 Hardware- Hardtop Edge Moulding to Top - 20 pcs .....3.40



51276A Plates - Soft Top Tension Straps - Pair -  
With Attaching Screws .....4.85

Replacement kit for your rusty or rusted off tack strip retainer fingers. CNC machined from galvanized material and pre formed. Includes all stainless steel pop rivets for a secure installation. Simply trim off the old rusty fingers, slip in the replacement assembly and set the rivets.

### 51340A



51340A Repair kit for Soft top front tack strip retainer.....34.95

### ADDITIONAL HARDWARE KITS for this area

- 151 Hardware- Hardtop Binding Joint Covers to Hardtop - 6 pc..1.60
- 163 Hardware- Soft Top Front Header Center Castings  
to Ends - 6 pcs .....3.27
- 164 Hardware- Soft Top Front Header End Castings to 1st  
Side Rails - 16 pcs .....4.20
- 166A Hardware- Soft Top Rear Window Straps to Top - 6 pcs.4.89



CASCO has produced a series of videos for download to assist hobbyists in various aspects of maintenance and restoration of the Classic Thunderbird. CASCO has put their 50+ years of expertise into the creation of these videos for the hobby.



- CV1 CASCO video - Recovering the soft top.....19.95
- CV2 CASCO video - Headliner installation .....19.95
- CV3 CASCO video - Early Bird introduction .....19.95
- CV4 CASCO video - Seat recovering .....19.95
- CV5 CASCO video - 57 dash pad installation.....19.95

CASCO videos are made in response to requests from our customers for informational material to assist them with their "weekend projects." Now supplied as YouTube® link. Please send your suggestions for video topics via email to [casco@ClassicTBird.com](mailto:casco@ClassicTBird.com).

**CASCO online:  
ClassicTBird.com**

### HARDTOP HOIST

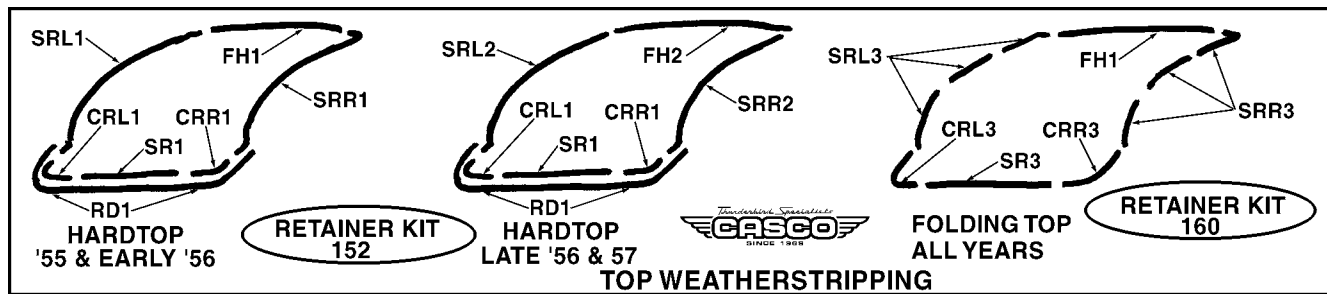


We're admittedly biased but we feel that there is not a better top hoist available anywhere. Extra wide webbing minimizes pressure on weatherstripping. This complete kit includes installation and use instructions.

HTHOIST .....75.00



# TOP WEATHERSTRIP



**Hardtop Weatherstrip for 1955 & Early 56**

The side side rail weatherstrips over the door glass are completely covered by cloth and they are dog legged both in front on the windshield header and on the rear deck.

FH1 .....	\$104.00
SRL1 .....	115.70
SRR1 .....	115.70
CRL1 .....	48.95
CRR1 .....	48.95
SR1 .....	48.95
RD1 .....	14.95

**Complete Weatherstrip Set**  
YOU SAVE \$30.00

HT1 ..... 467.20

\*The very early 55 hardtops had a hard rubber weatherstrip which should be replaced by using the 55 weatherstrip shown above by removing the stainless trough and drilling some holes for the screws.

152 Hardware kit-Hardtop Weatherstrip to Top - 63 pcs .....7.65

**Hardtop Weatherstrip for Late 56 - 57**

The side rail weatherstrips are not completely covered by cloth and they are dog legged on the rear deck only.

FH2 .....	\$103.95
SRL2 .....	113.00
SRR2 .....	113.00
CRL1 .....	48.95
CRR1 .....	48.95
SR1 .....	48.95
RD1 .....	14.95

**Complete Weatherstrip Set**  
YOU SAVE \$30.00

HT2.....461.75

\*\*Our restoration shop recommends using this style of hardtop weatherstrip on all tops unless building an all-original show car.

152 Hardware kit-Hardtop Weatherstrip to Top - 63 pcs .....7.65

**Folding Top Weatherstrip**

FH1.....	\$104.00
SRL3 & SRR3.....	239.00
SR3.....	51.75
CRL3 .....	63.50
CRR3 .....	63.50

**Complete Set**  
YOU SAVE \$30.00

FT1 ..... 493.95

NOTE: SRL3 & SRR3 are sold in pairs only. It is a set of 6 pcs with attaching studs installed

160 Hardware kit- Soft Top Weatherstrip to Frame - 96 pcs ..... 19.90  
160A Hardware- Soft Top Weatherstrip to Frame W/O T - Bolts.....9.40

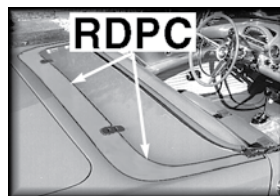
**NOTE: Weatherstripping may stain paint & vinyl surfaces. Use Rear Deck Protector to help avoid this problem.**

## HARDTOP GLIDER



We have engineered a heavy duty hardtop carrier designed for your Classic Thunderbird. Using the hardtop glider you can easily move your hardtop to and from storage, reducing the risk of damage to your top. The hardtop glider rolls smoothly on ball bearing swivel casters with soft rubber wheels. Our design minimizes contact with the weatherstrips, disassembles quickly and easily to fit neatly in the trunk of your little Bird. Constructed of 16 gauge sheet and 14 gauge tubular steel yet it weighs less than 17 pounds. Glider

is delivered complete with foam handle grips and protective padding installed. Now with a more durable black powder coated finish.  
HTGLIDER Hardtop Glider - Moving & Storage ..... 176.00



## DECK LID PROTECTOR

A heavy (.020" thick) die - cut vinyl film made to protect the surface area on the rear deck surface where the top weatherstrip makes contact. Helps to protect against unsightly weatherstrip impressions and discoloration. Available in clear only.  
RDPC..... 23.95



**HARD TOP COVER** Gray poly - cotton cover for your stored top.  
CCHT Hardtop cover..... 122.95



## SOFT TOP COVERINGS

Complete sets with top covering, rear window, wireons, and tension pad strips.

White Vinyl - Tan underside - - Sewn in window - 55 .....	STCWHT55 .....	544.00 Set
White Vinyl - Tan underside - Straight zipper .....	STCWHTS .....	612.00 Set
Black Canvas - Black underside - Straight zipper - Stayfast.....	STCBKCSF .....	698.00 Set
Black Canvas - Black Underside - Sewn in Window - 55 - Stayfast	STCBKC55F .....	668.00 Set
Tan Canvas - Tan underside - Straight zipper - Stayfast.....	STCTNCSF .....	668.00 Set
Blue Canvas - Black underside - Straight zipper - Stayfast .....	STCBLKSF .....	750.00 Set

### SOFT TOP TENSION STRAPS

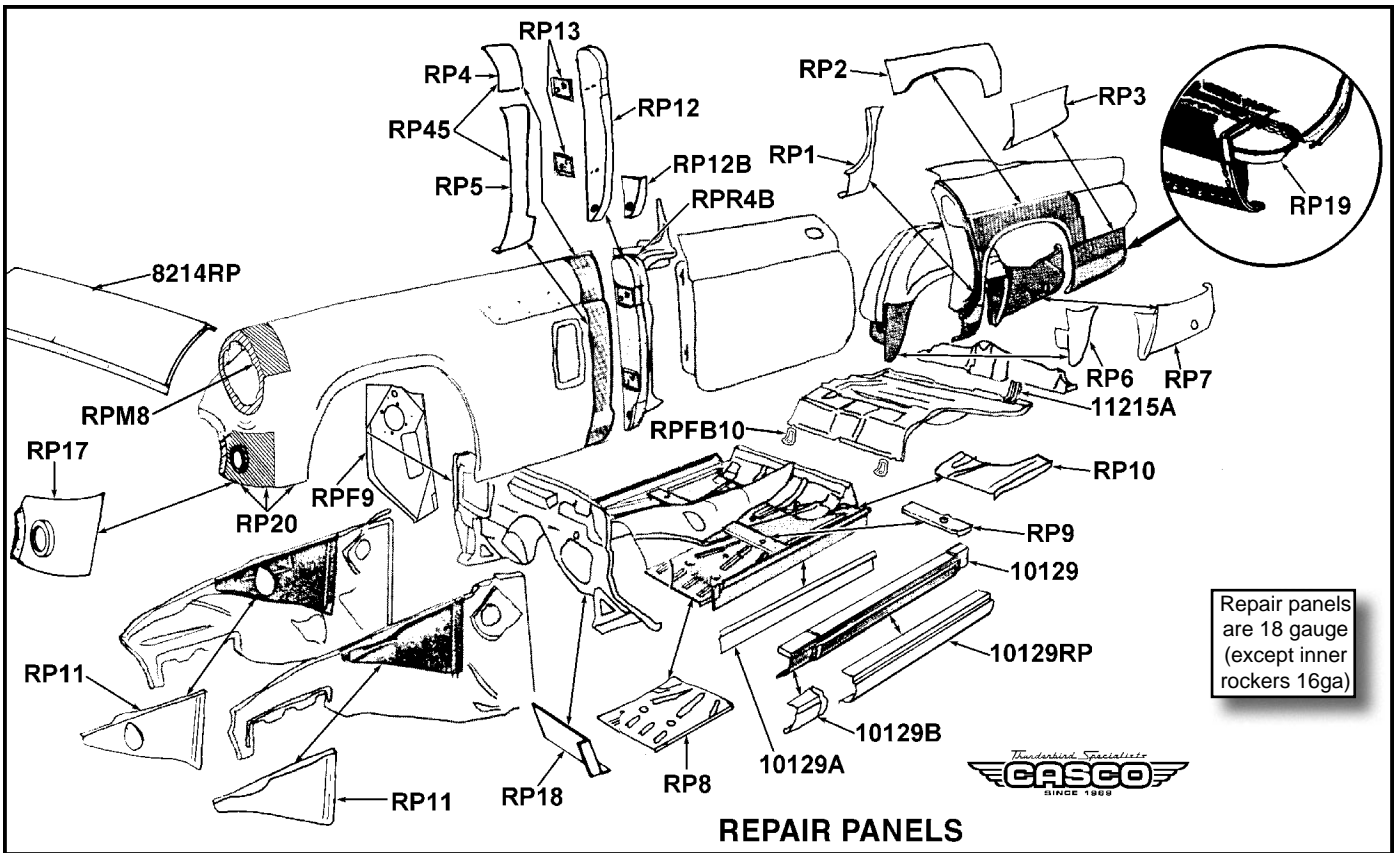
Pad tension straps for soft top - pair - included with soft tops above

STSTRAPS Soft top straps - black .....	53.95 Pair
STSTRAPSTN Soft top straps - tan .....	49.95 Pair

166A HWK Softtop Rear Window Strap Snaps - ..... 4.89



# REPAIR PANELS



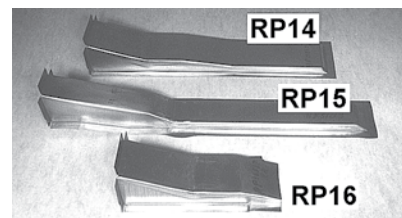
Repair panels are 18 gauge (except inner rockers 16ga)

## REPAIR PANELS

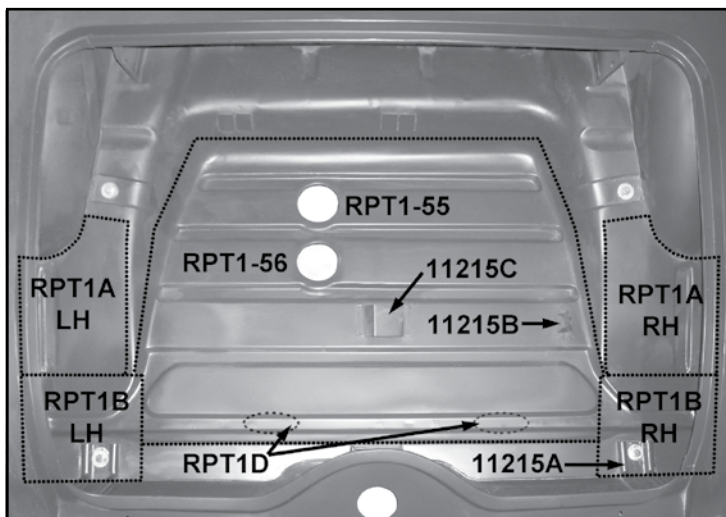
### ALL REPAIR PANELS SHOWN ON THIS PAGE ARE STEEL

RP1RH	Repair Panel - Rear Quarter - Dogleg - RH	73.00	RPF9567RH	Repr Panel - Kick Panel - RH -56/57	160.00
RP1LH	Repair Panel - Rear Quarter - Dogleg - LH	73.00	RPF9567LH	Repr Panel - Kick Panel - LH -56/57	160.00
RP2RH	Rep. Pnl. - Rr. Qtr. - Over Wheel Open - RH	85.00	RP1055RH	Rep. Pnl. - Floor Board - Rear - RH - 55	229.00
RP2LH	Rep. Pnl. - Rr. Qtr. - Over Wheel Open - LH	85.00	RP10567RH	Rep. Pnl. - Floor Board - Rear - RH - 56/57	229.00
RP355RH	Rep. Pnl. - Rr. Qtr. - Lower Rear - RH - 55	148.00	RP1055LH	Rep. Pnl. - Floor Board - Rear - LH - 55	229.00
RP355LH	Rep. Pnl. - Rr. Qtr. - Lower Rear - LH - 55	148.00	RP10567LH	Rep. Pnl. - Floor Board - Rear - LH - 56/57	229.00
RP356RH	Rep. Pnl. - Rr. Qtr. - Lower Rear - RH - 56	141.00	RP11RH	Rep. Pnl. - Splash Apron - RH	160.00
RP356LH	Rep. Pnl. - Rr. Qtr. - Lower Rear - LH - 56	141.00	RP11LH	Rep. Pnl. - Splash Apron - LH	160.00
RP357RH	Rep. Pnl. - Rr. Qtr. - Lower Rear - RH - 57	141.00	RP12RH	Rep. Pnl. - Door Post - Front - RH	118.00
RP357LH	Rep. Pnl. - Rr. Qtr. - Lower Rear - LH - 57	141.00	RP12LH	Rep. Pnl. - Door Post - Front - LH	118.00
RP4RH	Rep. Pnl. - Front Fender - Upper Rear - RH	33.00	RP12BRH	Rep. Pnl. - Door Post - Lwr. Part Only - RH	30.00
RP4LH	Rep. Pnl. - Front Fender - Upper Rear - LH	33.00	RP12BLH	Rep. Pnl. - Door Post - Lwr. Part Only - LH	30.00
RPR4BRH	Rep. Pnl. - Upper Door Post Filler - RH	99.95	RP13A	Nut Plate - Hinge Side - Inside Door	24.00
RPR4BLH	Rep. Pnl. - Upper Door Post Filler - LH	99.95	RP1355	Nut Plate - Door Hinge - Upper & Lower - 55	30.95
RP5RH	Rep. Pnl. - Front Fender - Lower Rear - RH	48.00	RP13567RH	Nut Plate - Door Hinge - Upper - RH - 56/57	36.75
RP5LH	Rep. Pnl. - Front Fender - Lower Rear - LH	48.00	RP13567LH	Nut Plate - Door Hinge - Upper - LH - 56/57	36.75
RP45RH	Rep. Pnl. - Front Fender - Rear - 1 Pc. - RH	115.00	RP13567B	Nut Plate - Door Hinge - Lower - 56/57	36.75
RP45LH	Rep. Pnl. - Front Fender - Rear - 1 Pc. - LH	115.00			
RP6RH	Rep. Pnl. - Rear Wheelhouse - Lower Fr - RH	55.00			
RP6LH	Rep. Pnl. - Rear Wheelhouse - Lower Fr - LH	55.00			
RP755RH	Rep. Pnl. - Rr. Whlhs. - Extension - RH - 55	115.00			
RP755LH	Rep. Pnl. - Rr. Whlhs. - Extension - LH - 55	115.00			
RP756RH	Rep. Pnl. - Rr. Whlhs. - Extension - RH - 56	115.00			
RP756LH	Rep. Pnl. - Rr. Whlhs. - Extension - LH - 56	115.00			
RP757RH	Rep. Pnl. - Rr. Whlhs. - Extension - RH - 57	115.00			
RP757LH	Rep. Pnl. - Rr. Whlhs. - Extension - LH - 57	115.00			
RP8RH	Rep. Pnl. - Floor Board Front - RH	229.00			
RP855LH	Rep. Pnl. - Floor Board Front - LH - 55	229.00			
RP8567LH	Rep. Pnl. - Floor Board Front - LH - 56/57	229.00			
RP9RH	Rep. Pnl. - Flr. Bd. Center Section - RH	99.00			
RP9LH	Rep. Pnl. - Flr. Bd. Center Section - LH	99.00			
RPF955RH	Repr Panel - Kick Panel - RH -55	125.00			
RPF955LH	Repr Panel - Kick Panel - LH -55	125.00			

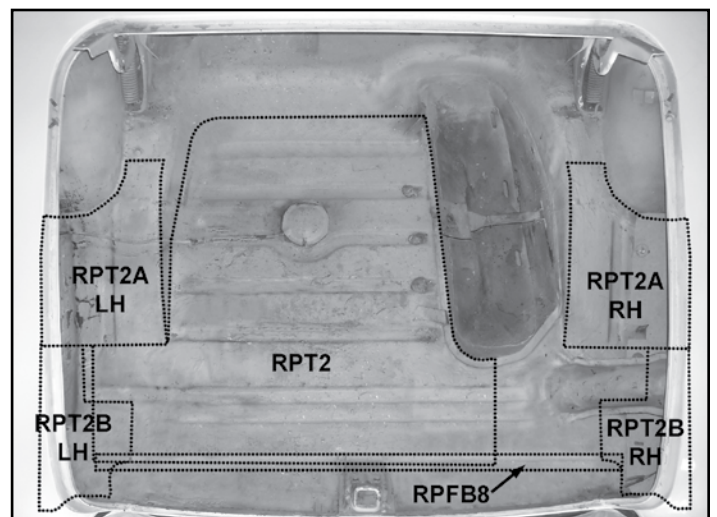
RH = PASSENGER SIDE  
LH = DRIVERS SIDE



RP1455	Floor Brace - One Piece - Front - 55	74.00
RP14567	Floor Brace - One Piece - Front - 56/57	72.50
RP15RH	Floor Brace - One Piece - Center - RH - 55/57	75.30
RP15LH	Floor Brace - One Piece - Center - LH - 55/57	75.30
RP1655	Floor Brace - One Piece - Rear - 55	60.50
RP16567RH	Floor Brace - One Piece - Rear - RH - 56/57	63.20
RP16567LH	Floor Brace - One Piece - Rear - LH - 56/57	63.20
RP17RH	Front Fender At Park Lamp - RH - 55/56	122.00
RP17LH	Front Fender At Park Lamp - LH - 55/56	122.00



**1955-1956 Trunk**



**1957 Trunk**

- RP1757LH Front Fender At Park Lamp - LH - 57 ..... 99.00
- RP1757RH Front Fender At Park Lamp - RH - 57 ..... 99.00
- RP18RH Front Sloping Floor - RH ..... 79.00
- RP18LH Front Sloping Floor - LH ..... 79.00
- RP1956RH Filler - Rear Quarter to Trunk - RH - 56 ..... 49.00
- RP1956LH Filler - Rear Quarter to Trunk - LH - 56 ..... 49.00
- RP1957RH Filler - Rear Quarter to Trunk - RH - 57 ..... 21.00
- RP1957LH Filler - Rear Quarter to Trunk - LH - 57 ..... 21.00



- RP20RH Flange - Lower Front Fender - RH ..... 21.00
- RP20LH Flange - Lower Front Fender - LH ..... 21.00



- RP21 Under Floor Plate at End of RP16 ..... 20.00
- RP21PS Rear of Floor Pan - Power Seat ..... 18.25

- RP22LH Hook Bracket Gas Tank Strap 57 LH ..... 18.00
- RP22RH Hook Bracket Gas Tank Strap 57 RH ..... 18.00



- RP23 Rear Pan Center - 1956 ..... 266.00



- RP23LH Rear Pan End LH 1956 ..... 95.00
- RP23RH Rear Pan End RH 1956 ..... 95.00

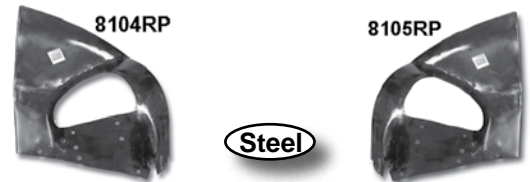
- RPM8A Headlamp bucket repair flange only ..... 52.90
- RPM8LH Headlamp bucket repair panel & flange LH ..... 149.90
- RPM8RH Headlamp bucket repair panel & flange RH ..... 149.90



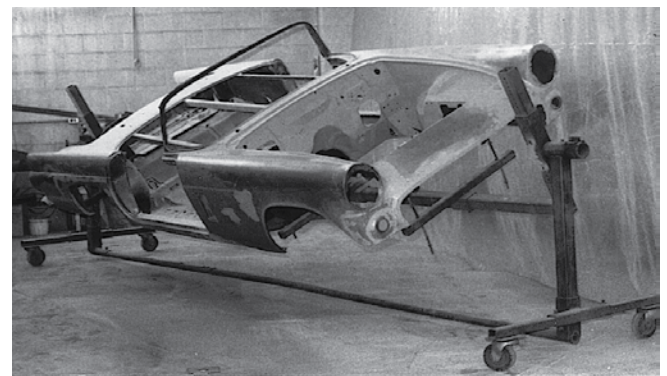
- RPRQ1ALH Repair Panel - Lower Front Inner Wheelhouse - LH ..... 30.00
- RPRQ1ARH Repair Panel - Lower Front Inner Wheelhouse - RH ..... 30.00



- RPRQ3LH Repair Panel - Outer Wheel house - LH ..... 155.00
- RPRQ3RH Repair Panel - Outer Wheel house - RH ..... 155.00



- 8104RP Repair panel - Radiator deflector RH ..... 379.50
- 8105RP Repair panel - Radiator deflector LH ..... 377.00
- 8214RP Upper Grille Panel - Steel ..... 515.00



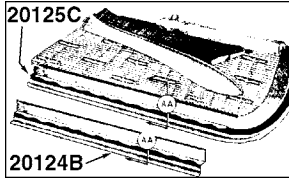
**THUNDERBIRD BODY ROTATOR** We designed it for use in our restoration shop and many of those who have seen it have expressed an interest in having one.

The unit is relatively easy to build and is designed such that it can be disassembled for storage or convenience in moving from one location to another. To answer the requests of "How can I build one?" We have prepared an assembly booklet and have made them available to our customers.

Plans include complete materials list, fabrication details and assembly instructions. Although the CASCO body rotator is designed for use with 55-57 Thunderbird bodies it can, of course, be used for other bodies under 16 feet in overall length. Plans include hints on how to modify the body rotator for use with other bodies. 11 Pages  
**ROTATOR** ..... 9.95

# REPAIR PANELS

10128RP	Repair Panel - Rocker Panel - W/Drains - RH .....	76.00
10129RP	Repair Panel - Rocker Panel - W/Drains - LH.....	76.00
10128A	Rep. Pnl. - Inner Rocker - Heavy 16 Ga - RH .....	49.00
10129A	Rep. Pnl. - Inner Rocker - Heavy 16 Ga - LH.....	49.00
10128B	Rep. Pnl. - Rocker Pnl. - Frt. Extent. - RH .....	26.00
10129B	Rep. Pnl. - Rocker Pnl. - Frt. Extent. - LH.....	26.00
11215A	Rep. Pnl. - Brace - Trunk Floor to Rear Panel - 55/56.....	24.00



20124B	Rep. Pnl. - Door Bottom W/ 20125C - RH.....	52.00
20125B	Rep. Pnl. - Door Bottom W/ 20125C - LH.....	52.00
20125C	Weatherstrip Retainer - Bottom of Door.....	21.00

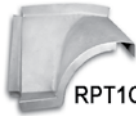
RPT1ALH



RPT1BLH

RPT1-55	Repr Panel - Trunk Floor 1955.....	499.00
RPT1-56	Repr Panel - Trunk Floor 1956.....	499.00
RPT1ALH	Repr Panel - Trunk Side Ramp 55/56 LH.....	129.00
RPT1ARH	Repr Panel - Trunk Side Ramp 55/56 RH.....	129.00

RPT1BLH	Repr Panel - Trunk Corner 55/56 LH .....	115.00
RPT1BRH	Repr Panel - Trunk Corner 55/56 RH.....	115.00



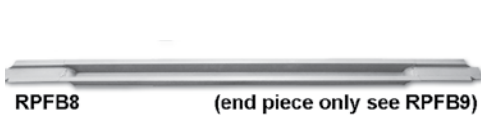
RPT1CLH



RPT1D

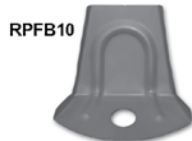
RPT1CLH	Repr Panel - Trunk Under Tail Light 55/56 LH ....	184.00
RPT1CRH	Repr Panel - Trunk Under Tail Light 55/56 RH.....	184.00
RPT1D	Repr Panel - Tank Locator Bump Under Trunk.....	24.00

RPT2	Repr Panel - Trunk Floor 1957.....	425.00
RPT2ALH	Repr Panel - Trunk Side Ramp 57 LH.....	119.00
RPT2ARH	Repr Panel - Trunk Side Ramp 57 RH.....	119.00
RPT2BLH	Repr Panel - Trunk Corner 57 LH .....	145.00
RPT2BRH	Repr Panel - Trunk Corner 57 RH.....	145.00



RPF8

(end piece only see RPF9)



RPF10

RPF8	Repr Panel - Floor Brace Under 57 Trunk.....	165.00
RPF9	Repr Panel - End Only of RPF8.....	28.00
RPF10	Repr Panel - Floor Brace Behind Seat.....	60.00

## CASCO PANELS

CASCO has recently purchased the tooling and patterns for the highly sought panels formerly made by **Custom Auto Craft** from New York. Many customers are familiar with the high quality panels that Custom Auto Craft manufactured for the Thunderbird hobby. We are dedicated to reproducing those panels with that same superior quality and attention to detail. Our panels are a heavier gauge than most available and are made like original, not just a close replacement of the original.

# CASCO MONTHLY SPECIALS

## JANUARY

**\*\*DOUBLE REWARD POINTS\*\*** ON THE ENTIRE ORDER WHEN YOU LEAVE AN ONLINE REVIEW AT **ClassicTBird.com** ON ONE OF THE PARTS ORDERED FROM CASCO THIS MONTH

## FEBRUARY

**SAVE \$15** ON OUR PREMIUM IGNITION WIRES THIS MONTH (item description on page 47)

## MARCH

**NEED BETTER LOOKING STEP PLATES FOR SUMMER SHOWS? THEY ARE ON SALE THIS MONTH FOR ONLY \$60 FOR THE PAIR. YOU SAVE \$12!** (listed and pictured on p 38)

## APRIL

**SAVE \$50** ON CASCO's NEW COMPLETE DRY ELEMENT AIR CLEANER ASSEMBLY FOR YOUR 1955, 56, OR 57. RETAIN THE ORIGINAL LOOK BUT USE A DRY ELEMENT. (page 32)

## MAY

TRY OUR POWER OUTLET ADAPTER, PART # **15052PO**, WE WILL SEND IT FOR **FREE** WITH ANY PARTS ORDER OVER \$200 (pg 5)

## JUNE

**LED TAIL LAMPS** ARE ON SALE FOR **10% OFF** DURING JULY. A GREAT SAFETY FEATURE FOR YOUR DRIVER! (page 50)

## JULY

**30% OFF** ALL IN-STOCK CASCO T-SHIRTS. SEE OUR WEB SITE FOR PHOTOS AND STYLES

## AUGUST

MENTION THE AUGUST SPECIAL AND RECEIVE A **FREE** BOTTLE OF THE ZDDP OIL ADDITIVE WITH ANY ORDER OVER \$150

## SEPTEMBER

**SAVE 10%** ON ALL TOOLS LISTED ON PAGE 57 DURING THE MONTH OF SEPTEMBER

## OCTOBER

PURCHASE A HARDTOP OR SOFTTOP WEATHERSTRIP KIT, MENTION THE OCTOBER SPECIAL AND RECEIVE A **FREE** REAR DECK PROTECTOR (item description page 70)

## NOVEMBER

GET READY FOR WINTER! SAVE YOUR BATTERY AND **SAVE 10%** ON A BATTERY MAINTENANCE CHARGER DURING NOVEMBER. (listed on page 17)

## DECEMBER

PROTECT YOUR NEW PAINT! WHEN YOU ORDER A REPAINT GASKET & SEAL KIT AND THE CASCO FENDER COVER AND WE WILL SEND THE FENDER COVER FOR **FREE**. (repaint kit page 67)



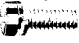


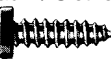

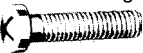



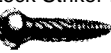
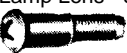

**SEE OUR WEB SITE OR OUR NEWSLETTER FOR MORE SPECIALS AND TECH TIPS**
















[ClassicTBird.com](http://ClassicTBird.com)


























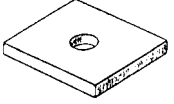





# HARDWARE

		
351757S CD	Bolt - Steering Column to Dash - With Nut.....	5.50
		
31037S CD	Screw - Headlamp Bulb Retaining Ring.....	25
31061S Z	Screw - License Lamp Lens Retain - 55/56 .....	30
		
355067S CH	Screw & Washer - Distributor Condenser to Breaker Plate - 55/56 .....	35
		
31497AS	Screw Hex Head Battery Cable Grommets 56/57.....	30
31498S Z	Screw Hex Head Splash Panel to Apron.....	30
31519S	Screw Hex Head Brake Line Clip to Axle 55/56.....	70
42128S Z	Screw - Air Vent Cable Clip.....	25
42143S Z	Screw - Gas Pedal Retaining.....	30
358752S Z	Screw & L/W - 12 - 24 Thread - For Door Parts.....	91
		
40921S Z	Screw - Hex washer head for shifter hsg to floor .....	40
31497S Z	Screw Hex Head w/ Slot for 56/57 Tach Cable Clip...70	
		
32938S	Screw - Headlamp Bucket to Fender .....	25
		
33000S CH	Screw - Wireon Binding Joint & Ends 6 X 3/4.....	30
52344S CH	Screw - Weatherstrip - Header - Side Grille Moulding to Grille - 57 - 8 X 1/2 .....	30
52352S CH	Screw - Step Plate & Instrument Panel Extension End Finish Plate - 8 X 5/8.....	30
52353S CH	Screw - Texas Plate - 10 X 5/8.....	30
52355S CH	Screw - Convertible Top Rear Bow - 1/4 X 5/8 With External Tooth Lockwasher.....	50
52360S CH	Screw - Moulding to Grille - Windshield Garnish Moulding Upper - Porthole Garnish Moulding - 8 X 3/4 .....	65
52368S	Screw - Door Trim Panel - Windshield Garnish Lower Moulding - 8 x 7/8 .....	30
52369S CH	Screw - Visor Arm - 10 X 7/8.....	30
52382S CH	Screw - Inside Mirror to Windshield Header - 8 X 1 1/4.....	44
52388S CH	Screw - Door Window Garnish Moulding - Windshield Side Moulding - 8 X 1 1/2 .....	50
		
50540S Z	Screw - Exhaust Deflector - 57 .....	1.40
51764S ZD	License Plate Lamp Lens Retainer - 57 .....	45
354746S	Parking Lamp to Fender - black - 55/56.....	50
		
52718S Z	Screw - Automatic Transmission Indi- cator Retainer - Not Chrome.....	40
350069S Z	Screw - Turn Signal Switch to Plate.....	23
350754S Z	Screw - Weatherstrip - H/T - Roof to Upper Back Panel.....	49
		
354488S Z	Screw - Door Lock Striker Plate - Phillips - 55 .....	1.32
		
358996S Z	Screw - Door Lock Striker Plate - 56/57 .....	1.32
		
354798S CH	Screw - Tail Lamp Lens - 56.....	1.35
354899S P	Screw Parking Lamp Lens - 57 - Reproduction .....	99
358898S P	Screw - Rear Lamp Lens - 57 - Replacement.....	30
		
353624S CH	Screw - Tail Lamp Lens - 55.....	85
354973S	Screw - Backup Lamp Lens to Body - 56.....	1.37
		
354690S CH	Screw - Backup Lens to Lamp Body - 55.....	1.45

		
354721S	Tie Bolt for Rear Springs - With Nut.....	3.95
		
21090S	Bolt - Front Motor Mount .....	2.80
39909S	Bolt - Brake Block & Line Clip to Frame.....	70
354668S	Bolt - Power Steering Pump Lid.....	6.95
		
353531S	Bolt - Seat Back Adjusting & Stop .....	4.00
353903S	Bolt - Special shoulder bolt for seat frame .....	5.85
		
355702S CD	Bolt - Shoulder - Clutch Rod Linkage.....	3.25
		
89447SP	Set Screw - F/M Shifter Button Stainless.....	2.50
89735S	Set Screw - Use With 16877 hood clamp .....	80
		
95049SCH	Stud - For Drop Curtain - 6/Car 55/56.....	2.15
		
95654S	Stud - For Drop Curtain - 1957 - Pair .....	11.52
		
352392S CH	Male Snap Fastener W/ 5/8" Long Screw .....	80
352393S	Male Snap Fastener W/ 3/8" Long Screw .....	55
		
351629S	Drive Nail - Hood pad to cowl.....	82
352802S	Drive Nail - Carpet - Floorboard - 3/4"-18/Car.....	82
		
50514S	Stud - All Thread - For 16607 Hood Emblem .....	30
88411S	Stud - Carb Mounting - in Manifold - 55 .....	85
352736S	Stud - Seat Frame to Floorpan.....	12.49
354242S	Stud - Radiator support to Frame.....	2.85
354575S	Stud - Use With Steel Rocker Arm Covers.....	1.95
354576S	Stud - Used With Aluminum Valve Covers .....	2.44
357428S	Stud - Carb Mounting - in Manifold - 56 .....	85
359697S	Stud - Carb Mounting - in Manifold - 57 .....	1.15
379287S	Studs - Side Vent Doors - 56/57 - Pkg 4 pcs.....	2.35
		
384345S	Adjusting Screw - Rear Door Glass Run.....	5.20
		
351792S	Bolt - Power Steering Pressure Line .....	20.85
		
354126S CD	Bolt - Special - To Attach 3C511 P/S Bracket.....	19.09
		
33847S	Nut - Use With 33725 P/S Retn Line Conn .....	16.40
33923S	Nut - Seat Stop / Lift Bar Spring Bolt / Dashpot .....	28
33943S	Jam Nut - Hood Latch Dowel (16929).....	75
33947S	Nut - Steering Wheel & P/S Return Line .....	90
351075S	Jam Nut for 7A652 kickdown 2/car .....	64
351089S8	Nut - Special nut - 57 carb to intake.....	3.45
351124S CD	Nut - Generator Pulley to Shaft - Special .....	95
351153S	Nut - Pittman Arm to Steering Sector .....	2.60
354573S	Nut - Front Spindle .....	1.95
356094S CH	Nut - Windshield Wiper Pivot Shaft .....	12.90
356164S CD	Nut - Trunk Lock Sleeve Retaining.....	2.03
		
34034S	Nut - Slotted - Ball joint .....	1.59
385002S	Nut - Slotted - For Tie Rod Ends .....	1.35

# HARDWARE

		
34393S Z	Nut - Locking - 5/16 - 24.....	.70
34394S Z	Nut - Locking - Seat Frame Stud & Fuel Tank Strap Bolts - 3/8-16.....	1.29
34395S Z	Nut - Locking - 3/8 - 24.....	.96
		
34655S CD	10 - 24 Nut and Lockwasher .....	.45
34656S CD	6 - 32 Nut and Lockwasher .....	.24
34660S CD	1/4 - 28 Nut and Lockwasher .....	.25
34662S CD	5/16 - 24 Nut and Lockwasher .....	.35
		
351062S	Nut - Special - Clutch Adjusting Rod .....	6.90
354526S	Nut - Special - Steel Rocker Arm Covers .....	1.85
		
354577S CH	Nut Crown Stainless - Al Rocker Arm Covers .....	6.99
		
45219S CD	Nut - Stamped for LH Vent Cable.....	.89
45253S Z	8 - 32 Stamped Nut.....	.30
		
45218S Z	Lock Nut Connecting Rod Bolt & Shock Stud .....	.20
		
33896S Z	Wingnut - Stamped - Battery Hold Down - Zinc .....	.60
358462S Z	Wingnut - Air Cleaner - 57 - Zinc.....	1.09
358463S CH	Wingnut - Air Cleaner - 55/56 - Chrome.....	3.60
358464S CH	Wingnut - Air Cleaner - 57 - Chrome.....	3.35
		
354926S	J - Nut Exhaust Deflector to Bumper - 57 .....	3.36
357000S	J - Nut - On Frame for Body Bolts.....	4.55
		
357227S	Nut & Retainer - Fender Apron at Bottom .....	.43
		
355768S Z	Nut - Headlamp Bucket to Fender 8/car.....	.43
		
356080S ZC	Nut - Rear Brake Drum Retaining .....	1.43
		
359464S CD	Push Nut - 1/8 Stud.....	.35
		
353577S	Sleeve Nut - 1/8 Stud to Retain Script T-Bird.....	.35
		
44707S Z	#6 Flat Washer.....	.20
44713S Z	#10 Flat Washer.....	.20
44715S Z	#12 Flat Washer.....	.20
44717S Z	#1/4 Flat Washer.....	.20
44719S Z	#5/16 Flat Washer.....	.20
44725S Z	Washer - Special - Battery Clamp.....	.35
44730S CD	Washer - Use With Bumper Bolts.....	.25
356214S	Flat Washer - Conv. top frame .....	1.25
		
34941S	Washer - at Fender Brace and Under Dash.....	4.00

351204S	Copper Washer Gasket - P/B Booster Hydraulic Cylinder End Plug .....	3.15
351385S Z	Washer - Intake & Exhaust Manifolds .....	.34
351548S CD	Washer - Trunk Lock Sleeve Nut.....	.30
351789SS	Copper Washer - Power Steering Pump .....	2.15
354054S CH	Washer - Rocker Arm Cover - Chrome .....	1.49
357002S Z	Washer - Body Bolt to Body - 57 .....	1.09
359820S CD	Washer - Spacer - Hood Locks to Firewall.....	.30
		
357001S Z	Washer - Formed - Body Bolt to Body - 55/56 .....	1.20
		
351802S Z	Cup Washer - Door Moulding Spacer to Door Panel .....	2.10
		
351496S CD	Lock Washer - Special - Generator Pulley .....	.55
		
53213S	Wave Washer - Convertible Top Frame .....	1.25
351341S	Wave Washer - Kick Down & Shift Rods.....	2.05
351467S	Wave Washer - Park Brake Cable Lever Pin .....	1.62
356383S	Spring Washer - Conv Top & Clutch Bolts.....	1.27
356600S	Wave Washer - Convertible Top Frame .....	1.35
		
359410S Z	Wedge Washer - 57 Trunk Handle.....	1.55
		
393000S	Body Shim - 1/8" Thick.....	1.02
393001S	Body Shim - 1/16" Thick.....	1.15
		
393002S	Washer - Steel Body Mount 5/16" Thick 10/car.....	1.89
393003S	Washer - Rubber - 56 at Rr Crossmember - Pr.....	6.69
		
357466S	Elbow Fitting - Brass - Fuel Line to Fuel Pump.....	3.90
		
353400S	Elbow Fitting - Brass - 2078B Flex Hose to Brake Booster .....	4.50
353401S	Elbow Fitting - Brass - Carb to Steel Vacuum Line (2005CE) - Dual 4 - 57 .....	7.63
		
358165S	Connector - 57 carb - Nut for vac adv line .....	3.15
35112S	Fitting Vac Adv Line at Vacuum Advance.....	3.68
87942S Z	Nut - 3/16 Tube - Brake Lines .....	.75
87943S Z	Nut - 1/4 Tube Vacuum Lines .....	.75
87944S Z	Nut - 5/16 Tube - Fuel Lines.....	1.05
		
87212S	Union - Brake Line on Side of Frame.....	1.67
87213S	Union - Fuel Line on Side of Frame .....	4.30
		
87972S	Brass Tube Connector - Fuel Pump Tube to Fuel Pump & Fuel Filter .....	2.69
353706S	Adapter - P/B Booster to Brake Line .....	14.20
354447S	Connector - P/B Booster Vacuum Line to 354447AS & CS - Used '55 & '57 .....	6.45
359324S	Fitting - Transmission Cooling Lines to Transmission.....	4.20

# HARDWARE

THE FOLLOWING PINS ARE AVAILABLE IN KIT 50300A - PAGE 64

- 76005S Rivet Replacement Pin - Short - Stainless.....5.15
- 76006S Rivet Replacement Pin - Medium - Stainless.....5.15
- 76007S Rivet Replacement Pin - Long - Stainless.....5.15

- 354446S Connector - Brake - Front Lines & Stop  
Light Switch - Mounts on Frame ..... 74.70



- 354447AS Brass Manifold Vacuum Connector -  
Power Brakes - 55.....40.26
- 354447BS Brass Manifold Vacuum Connector -  
Power Brakes - 56.....40.25
- 354447CS Brass Manifold Vacuum Connector -  
Power Brakes - 57.....40.61
- 354447P Plug for 354447 56 blocks w/out power brakes .....3.45
- 354447PA Plug for 354447 55/57 blocks w/out power brakes .2.25



- 359279S Fitting - Trans Cooling Lines to Radiator.....4.52
- 359279SA Fitting - Trans Coolg Lines to Aluminum Radiator...4.12



- 351791S Connector - Powr Steering Pressure Line..... 19.12



- 372895S Fitting - Power Steering lines to cylinder - 57.....6.75
- 372896S Fitting - Power Steering hose - 55/56 .....6.75



- 358048S Plug - Differential - 55/56.....3.75
- 87710S Plug - Block & 57 Differential - 3/8 pipe.....1.33
- 87837S Plug - Cylinder Block - 1/4" Pipe .....95



- 87743S Plugs - Radiator Cooler - pair - 1/8" pipe ..... 1.50
- 353055S CD Plug - Gas Tank.....2.65



- 358066S Plug - Hex Head - Water Pump - W/O P/S or  
Intake Manifold W/O Heater .....3.75



- 310141S Oil Cup & Cover - Distributor - Replacemt ..... 12.62



- 87907S Z Lubricator Fitting - Straight.....55
- 87924S Z Lubricator Fitting - 90 Degree .....85
- 358032S Z Lubricator Fitting - 67 1/2 Degree .....1.10



- 354169S Pin - Folding Top - Polished Stainless.....5.85
- 354170S Pin - Folding Top - Polished Stainless.....6.25



- 354171S Pin - Folding Top At Swing Bar - Pol. Stnless .....7.00
- 357412S Pin - Folding Top - Polished Stainless.....5.15



- 76001S Retainer Pin For Door Check Strap -  
Original Style Head - Removable.....5.85

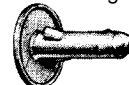
- 353621S Solid Pin - P/S Control Valve - 55/56 .....1.55
- 370235S Solid Pin - P/S Control Valve - 57.....1.55



- 73600S CD Pin - F/M Shifter Arm to Neutral Switch.....80
- 73860S CD Pin - Spare Wheel Bolt to Trunk - 57.....80
- 73887S CD Pin - F/M Kickdown Rod to Bellcrank.....80
- 73931S Z Clevis Pin - Park Brake Pulley .....80
- 73939S CD Pin - Spare Wheel Plate to Trunk - 57.....1.05
- 76034S CD Pin - Power Seat .....1.20
- 76070S Pin - Power Seat Drive to Seat Frame .....80



- 61489S Pin - Distributor Drive Gear.....35
- 352146S Pin - 1/8 x 7/8 - P/S Control Valve - 55/56  
& Pin Retainer - Folding Top .....38
- 354132S Pin - Tach Drive Gear to Shaft.....90
- 354262S Z Pin - 3/32 x 3/4 - Bent Handle - Top .....28
- 354263S Z Pin - 1/8 x 3/4 - Straight Handle - Top  
& Pin Retainer - Folding Top .....28



- 357036S ZC Fastener - Firewall Pad to Firewall - Like  
Original - Correct Green Color .....3.20



- 372000S R "E" Clip - Accel Linkage Pivot Pin - 55 .....65
- 372001S R "E" Clip - Folding Top Replmt Rivet Pins.....17



- 352358SS Clip - Clevis Pin Retaining.....82
- 353610S CD Clip - Distributor Vacuum Control Rod .....28



- 74274S Clip - Window Regulator Arm.....38



- 357550S Lock Ring - Inside Door Handle and  
Window Crank.....40



- 72034S CD Cotter Pin - 3/32 Diameter x 1" Long - Pkg 10 .....60
- 72035S Cotter Pin - 1/8 x 1 - Pkg 10 pcs .....1.45
- 72054S Cotter Pin - 5/32 x 1 1/4 - Pkg 10 pcs .....1.75



- 371900S R Clip - Rubber Body Bumpers to Frame - Included  
With Bumpers In 400E Kit.....39



- 371905S R Clip - Door Panel - 20 per car .....48



- 354362S ZC Clip - Backup Light or OD wiring .....3.00
- 354372S ZC Clip - Wiring - LH Rear Bumper Support - 56.....1.55



- 357331S ZC Clip - Brake Line to Frame - Original  
Green Color - 4/Car 55/56 - 3/Car 57.....2.70

Sign up for our email newsletter on our web site at [ClassicTBird.com](http://ClassicTBird.com) or call us and we'll sign you up over the phone. Our newsletter contains shop tips, sale items, and news from CASCO.

#INCLUDED IN REPAINT KIT - Pg 67



Tech help: (740) 622-9700

sales@ClassicTBird.com



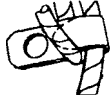
# HARDWARE



- 358566S Retainer - Door and Upper Back Panel Garnish.....79
- 358567S Retainer - Upper Grille Mldg - 55/56 Not Stainless ....70
- 358568S Retainer - Upper Grille Mldg - 57 Not Stainless .....85
- 358568SS Retainer - Upper Grille Moulding - 57 (6 used) & Soft Top Header (9 used) - Stainless Steel .....3.49



- 353547S Clip - Temp Wire to Head - Plain .....1.05
- 354284S Clip - Main Wiring At LH Scoop - 55 .....1.55
- 356628S Clip - Wiring - Rubber Coated 13/32 Hole .....1.95
- 356640S Clip - Wiring - At Starter Solenoid - Not Rubber Coated .....1.30
- 358350S Clip - Wiring - At Fan Shroud - Rubber Coated .....1.94
- 358355S Clip - Rubber Coated - Window and Seat Motors - On Firewall at Hood Latch .....1.94



- 354543S ZC Clip - O/D Wiring At Firewall - 55/56 .....3.10



- 352973S Clip - Fuel Line - Bolts to Frame - 1/car .....1.55



- 359280S Clip - Trans Cooling Lines to Block .....7.80



- 2005E Clip - To Hold 2005B & C to 9180 Brkt .....1.85
- 354227S Clip - Tach Cable to Bracket - Rubber Coated - 55 - Supplied With 17361A .....2.35



- 358349S Clip - Brake Line to Differential - 55/56 - 1/car .....2.90



- 352999S ZC Clip - Wiring - Aprons & Firewall - Green - Exact Reproduction - Each (10 used per car) .....2.90



14651

- 14651 Grommet - Headlamp & Park Lamp Wiring 55/56/57 4/Car .....3.35
- 14651S Grommet - small - headlamp wiring - 57 2/Car .....2.95



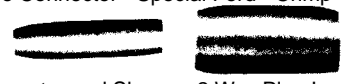
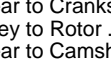
- 353626S Grommet - RH Vent Control - Like Original .....3.90



- 5007 Bumper - Body to Frame - Rubber - 10 Used Per Car - Retained by 371900SR Clip - All Bumpers & Clips Are Included In 400E Kit .....3.00

**SATISFACTION GUARANTEED**

- 354125S Grommet - Hood Release Cable .....3.05
- 359048S Rubber Grommet - Power Brake Booster .....3.00
- #357170S Bumper - Gas Filler Lid - 55/56 - Pkg. 2 .....6.25
- #380239S Rubber Bumper - Gas Filler Lid - 57 and Defroster Flapper .....1.97
- 352284S A=1 1/4; B=7/16 - Rubber Plug - Floor Pan and Lower Door Pillar .....2.20
- 352285S A=1 13/16; B=7/16 Rubber Plug - Floor Pan - For 1 7/16 Hole .....1.90
- 377949S A=7/8; B=23/64 - Rubber Plug or Grommet - Standard Transmission Shifter .....4.95
- 352962S Grommet - Tach Cable - Wiring Through F/M Shifter Support .....2.95
- 377394S Grommet - Used in PCV Kit .....8.00
- 357042S Plug - Rubber - 5/8 Hole Diameter .....1.90
- 370322S "O" Ring - Fuel Filler Neck - 57 .....1.97
- 353080S Ball Bearing - Steel - Seat Tracks .....1.05
- 74151S Key - Flywheel Damper to Crankshaft .....1.05
- 74175S Key - Timing Gear to Crankshaft & Generator Pulley to Rotor .....48
- 74177S Key - Timing Gear to Camshaft .....60
- 360001S Male Connector - Special Ford - Crimp On .....52
- 360002S Connector and Sleeve - 2 Way Plug In .....95
- 360004S Connector and Sleeve - 4 Way Plug In .....1.84



The finish of the hardware item is indicated by this suffix code.

- S Natural
- SCD Cadmium Plated
- SCH Chrome Plated
- SN Nickel Plated
- SP Rustless Steel
- SR Raven Black
- SS Special
- SZ Zinc Plated
- SZC Zinc Chromate

## OUR CUSTOMERS WRITE

"I have occasionally bought parts from other sources, but you have always treated me fairly, and the parts from others gave me problems; so, I've decided that I can't afford not to use CASCO." ...Florida

# MERCHANDISE RETURN FORM

Call for RMA Number \_\_\_\_\_  
 Customer Number \_\_\_\_\_  
 Name \_\_\_\_\_  
 Address \_\_\_\_\_  
 \_\_\_\_\_  
 Phone \_\_\_\_\_  
 Email \_\_\_\_\_

Return To:  
 Classic Auto Supply Co., Inc.  
 795 High Street  
 Coshocton, OH 43812  
 800-374-0914  
 740 - 622-8561

Your satisfaction in our products is very important to us. We know it is sometimes necessary to return an item. Return authorization is not required when making a return or exchange. We only ask that you fill out this return form to make returns easier.

*If you have received items or packages which were damaged in shipping, please call the carrier or call our office to report the damage. Please do **not** return damaged items to our facility.*

Item #	Quantity	Item description	Invoice #	Price	Return code*

**\*Return Codes:**

- DNN - did not need
- DP - defective part (please describe defect in comment area)
- DNL - did not like (please let us know why in comment area)
- DNO - did not order
- YR - part for wrong year Thunderbird
- OE - ordered by mistake
- WPS - wrong part sent by mistake

**Refund to:**

- Credit card used on original order
- Other credit card:  
# \_\_\_\_\_ Exp \_\_\_\_\_
- Leave on account for future use
- Use against enclosed order

Comments: \_\_\_\_\_  
 \_\_\_\_\_  
 \_\_\_\_\_  
 \_\_\_\_\_

Do you require a replacement part?  YES  NO

If you wish to return in exchange for other parts, please list the items you would like to receive on our order form and send along with this return form.

**THE CASCO GUARANTEE:** If you are dissatisfied with any new item you may return it along with a MERCHANDISE RETURN FORM, and a copy of the invoice within 60 days of receipt for a full refund less shipping charges. Returned items must be in good, as received, condition. Used parts will be subject to a 25% restocking charge. We do not accept returned electrical parts. After 60 days, returns of new parts will be subject to a 10% restocking charge. Returned items without invoices or RMA numbers will be charged a \$5.00 search charge. Items without purchase confirmation cannot be accepted. We will not accept returns by COD or postage due. If CASCO is at fault we will refund reasonable return shipping.

## Classic Thunderbird Facts

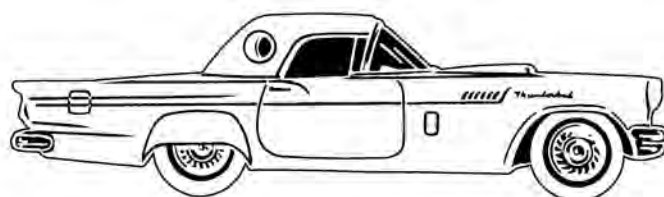
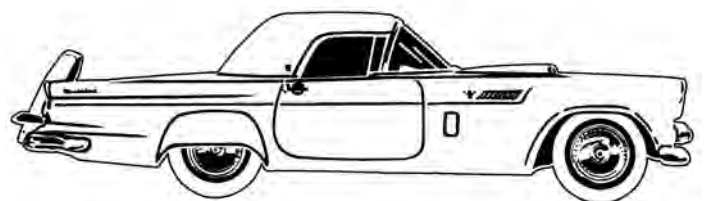
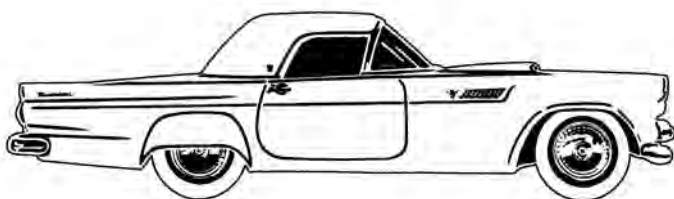
	1955	1956	1957
Price new	\$2,944	\$3,163	\$3,408
Production	16,155	15,631	21,380
Wheel base	102"	102"	102"
Overall length	175.2"	185.2"	185.2"
Overall height	52.2"	52.2"	51.6"
Overall width	70.2"	70.2"	72.8"
Ground Clearance	5.5"	5.9"	5.9"
Tread	56"	56"	56"
Turning Diameter	36'	36'	36'
Curb Weight	3232 lbs.	3315 lbs.	3324 lbs.
Crankcase capacity	6 quart	6 quart	6 quart
Cooling system capacity	21 quart	21 quart	21 quart
Fuel tank capacity	17 gal.	17 gal.	20 gal.
Engines available	Disp/Carb/HP 292/4v/198	Disp/Carb/HP 292/4v/202 312/4v/225	Disp/Carb/HP 292/2v/212 312/4v/245 312/8v/270 312/SC/300

Order line: (800) 374-0914

Tech help: (740) 622-9700

Email: [sales@ClassicTBird.com](mailto:sales@ClassicTBird.com)

Website: [ClassicTBird.com](http://ClassicTBird.com)



ClassicTBird.com



Order line: (800) 374-0914



**The CASCO Guarantee**

All CASCO parts are guaranteed! If you are not satisfied with any item you may return it and we will promptly exchange it or send you a refund. (See details on back)



Order line 800-374-0914  
ClassicTBird.com

International phone 740-622-8561 fax 740-622-5151  
Technical Questions? Call our technicians at 740-622-9700

**Ordered by:**  Check if change of address **Please ship to:**  Check if change of address

This time only  Gift

Name \_\_\_\_\_

Address \_\_\_\_\_

City \_\_\_\_\_

State \_\_\_\_\_ Zip \_\_\_\_\_

Daytime Phone No. \_\_\_\_\_

E-mail address: \_\_\_\_\_

Name \_\_\_\_\_

Address \_\_\_\_\_

City \_\_\_\_\_

State \_\_\_\_\_ Zip \_\_\_\_\_

Backorder?  yes  no (details on back)

	QTY.	CATALOG PART NUMBER	YEAR BIRD	DESCRIPTION	Pg.	PRICE EACH	TOTAL PRICE
1							
2							
3							
4							
5							
6							
7							
8							
9							
10							
11							
12							
13							
14							
15							
16							

*Thank You!*

Comments:

**Yes!** Please send CASCO Email newsletter: \_\_\_\_\_

**Yes!** Please send me information on Classic Thunderbird Club International.

Subtotal	
CASCO Loyalty Rewards points	
Sales tax (Ohio only)	
Shipping & Handling Based on dimensions and weight. Call for quote..	
<b>Total</b>	

**Method of Payment:**  Charge my credit card:

Card No. \_\_\_\_\_ CVV: \_\_\_\_\_

3/2021    Expires: \_\_\_\_/\_\_\_\_/\_\_\_\_  Check or M.O. \$ \_\_\_\_\_

## ORDERING INFORMATION

### THE CASCO GUARANTEE

If you are dissatisfied with any new item you may return it along with a MERCHANDISE RETURN FORM, which can be found on page 79 or on our web site, within 60 days of receipt for a full refund less shipping charges. **Please call our office for RMA** (return merchandise authorization) number. Returned items must be in good, as received, condition. Used parts will be subject to a 25% restocking charge. We do not accept returned electrical parts. After 60 days, returns of new parts will be subject to a 10% restocking charge. Returned items without an invoice or RMA number will be charged a \$5.00 search charge. Items without purchase confirmation will not be accepted. We will not accept returns by COD or postage due. If CASCO is at fault we will refund reasonable return shipping.

### CASCO LOYALTY REWARDS PROGRAM

Every dollar spent on parts from CASCO will reward the customer with one loyalty rewards point. Customers can see their accumulated points total printed on the bottom of their most recent invoice. An accumulated 500 points can be redeemed for \$10 off the next order. CASCO will announce additional rewards program promotions, such as double points, on the web site and through the ThunderEnlightening email newsletter.

### TECHNICAL ASSISTANCE

So that we may serve you more efficiently, please use our technical assistance line at **740-622-9700** for help with your restoration and mechanical questions. Please have your invoice number ready when you call. You can also email CASCO technicians directly at [techinfo@ClassicTBird.com](mailto:techinfo@ClassicTBird.com)

### TELEPHONE, FAX & EMAIL ORDERS

We accept Visa, MasterCard, Discover Card, and Wire Transfer telephone orders  
Toll - Free Order Line: (800) 374-0914 - Toll - Free Fax Line: (800) 513-5806 - Email: [sales@ClassicTBird.com](mailto:sales@ClassicTBird.com)  
Local & international customers please phone (740) 622-8561 or fax (740) 622-5151  
Bank charges for wire transfers are the responsibility of the customer (normally \$15 - \$20).

### INTERNET ORDERS

Shop 24-7 on our web store. Find us at [ClassicTBird.com](http://ClassicTBird.com). We accept Visa, MasterCard, and Discover Card. Order with confidence - we make every effort to keep your transaction secure.

### MAIL ORDERS

We accept personal checks, money orders, bank checks, Visa, MasterCard, and Discover Card. Please do not send cash. Please provide complete description of the parts you need. Shipments may be held for two weeks for personal checks to clear your bank. Returned checks will be assessed a \$30 NSF fee. Send to CASCO, 795 High Street, Coshocton, OH 43812

### CREDIT & DEBIT CARD ORDERS

When an order is initially placed, we perform a pre - authorization on your credit card for an amount sufficient to cover any potential charges associated with your order. This pre - authorization allocates a portion of your line of credit towards the purchase from us. Due to the restrictions of credit card processing, the pre - authorization amount is normally slightly higher than the exact order amount that is finally charged to the credit card. The exact amount is charged to the credit or debit card at the time the order is shipped from our facility. If we do not use the pre - authorization for some reason, (order cancelled, item sold out, etc.) the pre - authorized amount will be restored to your credit card's line of credit in the amount of time determined by the issuing bank. The card issuing bank may hold the original pre - authorization amount for some period of time even after we have already charged the card. Please contact your bank to find out what their policy is with regard to releasing your funds on a pre - authorization. Only your bank can decide when to release that amount back to your account.

### BACKORDERS

If you order an item which we expect to be able to ship within 60 days and that item is not immediately available, we will backorder the item. Please note or advise if you *do not* wish to have items backordered. Backordered items will be sold at the price in effect at the time of shipment. Shipping charges will be added to each shipment, including any backorders, as shown below.

### SHIPPING CHARGES

Shipping charges are billed according to the standard shipping rates of the carrier plus a small handling fee. Our preferred carrier is FedEx. We also use USPS for small, low value packages.  
ALL OTHER shipping methods including overnight/express services, priority mail, freight, etc. will be charged actual shipping cost, a reasonable box & pack charge plus a \$5.00 special handling fee.  
OVERSEAS shipments may be charged a \$5.00 documentation charge in addition to all other charges. Shipments outside the continental United States, please specify your preferred method for shipping.

### SALES TAX

Ohio sales tax is charged on all pickup orders and all orders shipped to a location in the state of Ohio.

### PRICES & AVAILABILITY

All prices are subject to change without notice. All current prices can be found on our site, [ClassicTBird.com](http://ClassicTBird.com).  
Availability is subject to prior sale.

### LIABILITY

The seller, CLASSIC AUTO SUPPLY CO. INC. hereby expressly disclaims all warranties, either expressed or implied, including any implied warranty of merchantability or fit for a particular purpose, and CLASSIC AUTO SUPPLY CO. INC. neither assumes nor authorizes any other person to assume for it any liability in connection with the sale of this merchandise.  
The liability of CLASSIC AUTO SUPPLY is limited only to the replacement of defective parts. No labor claims will be honored.

**The CASCO Guarantee**

All CASCO parts are guaranteed! If you are not satisfied with any item you may return it and we will promptly exchange it or send you a refund. (See details on back)



Order line 800-374-0914  
ClassicTBird.com

International phone 740-622-8561 fax 740-622-5151  
Technical Questions? Call our technicians at 740-622-9700

**Ordered by:**  Check if change of address **Please ship to:**  Check if change of address

This time only  Gift

Name \_\_\_\_\_

Address \_\_\_\_\_

City \_\_\_\_\_

State \_\_\_\_\_ Zip \_\_\_\_\_

Daytime Phone No. \_\_\_\_\_

E-mail address: \_\_\_\_\_

Name \_\_\_\_\_

Address \_\_\_\_\_

City \_\_\_\_\_

State \_\_\_\_\_ Zip \_\_\_\_\_

Backorder?  yes  no (details on back)

	QTY.	CATALOG PART NUMBER	YEAR BIRD	DESCRIPTION	PRICE EACH	TOTAL PRICE
1						
2						
3						
4						
5						
6						
7						
8						
9						
10						
11						
12						
13						
14						
15						
16						

*Thank You!*

**Comments:**

**Yes!** Please send CASCO Email newsletter: \_\_\_\_\_

**Yes!** Please send me information on Classic Thunderbird Club International.

Subtotal	
CASCO Loyalty Rewards points	
Sales tax (Ohio only)	
Shipping & Handling Based on dimensions and weight. Call for quote..	
<b>Total</b>	

**Method of Payment:**  Charge my credit card:

Card No. \_\_\_\_\_ CVV: \_\_\_\_\_

3/2021    Expires: \_\_\_\_/\_\_\_\_/\_\_\_\_  Check or M.O. \$ \_\_\_\_\_



## ORDERING INFORMATION

### THE CASCO GUARANTEE

If you are dissatisfied with any new item you may return it along with a MERCHANDISE RETURN FORM, which can be found on page 79 or on our web site, within 60 days of receipt for a full refund less shipping charges. **Please call our office for RMA** (return merchandise authorization) number. Returned items must be in good, as received, condition. Used parts will be subject to a 25% restocking charge. We do not accept returned electrical parts. After 60 days, returns of new parts will be subject to a 10% restocking charge. Returned items without an invoice or RMA number will be charged a \$5.00 search charge. Items without purchase confirmation will not be accepted. We will not accept returns by COD or postage due. If CASCO is at fault we will refund reasonable return shipping.

### CASCO LOYALTY REWARDS PROGRAM

Every dollar spent on parts from CASCO will reward the customer with one loyalty rewards point. Customers can see their accumulated points total printed on the bottom of their most recent invoice. An accumulated 500 points can be redeemed for \$10 off the next order. CASCO will announce additional rewards program promotions, such as double points, on the web site and through the ThunderEnlightening email newsletter.

### TECHNICAL ASSISTANCE

So that we may serve you more efficiently, please use our technical assistance line at **740-622-9700** for help with your restoration and mechanical questions. Please have your invoice number ready when you call. You can also email CASCO technicians directly at [techinfo@ClassicTBird.com](mailto:techinfo@ClassicTBird.com)

### TELEPHONE, FAX & EMAIL ORDERS

We accept Visa, MasterCard, Discover Card, and Wire Transfer telephone orders  
Toll - Free Order Line: (800) 374-0914 - Toll - Free Fax Line: (800) 513-5806 - Email: [sales@ClassicTBird.com](mailto:sales@ClassicTBird.com)  
Local & international customers please phone (740) 622-8561 or fax (740) 622-5151  
Bank charges for wire transfers are the responsibility of the customer (normally \$15 - \$20).

### INTERNET ORDERS

Shop 24-7 on our web store. Find us at [ClassicTBird.com](http://ClassicTBird.com). We accept Visa, MasterCard, and Discover Card. Order with confidence - we make every effort to keep your transaction secure.

### MAIL ORDERS

We accept personal checks, money orders, bank checks, Visa, MasterCard, and Discover Card. Please do not send cash. Please provide complete description of the parts you need. Shipments may be held for two weeks for personal checks to clear your bank. Returned checks will be assessed a \$30 NSF fee. Send to CASCO, 795 High Street, Coshocton, OH 43812

### CREDIT & DEBIT CARD ORDERS

When an order is initially placed, we perform a pre - authorization on your credit card for an amount sufficient to cover any potential charges associated with your order. This pre - authorization allocates a portion of your line of credit towards the purchase from us. Due to the restrictions of credit card processing, the pre - authorization amount is normally slightly higher than the exact order amount that is finally charged to the credit card. The exact amount is charged to the credit or debit card at the time the order is shipped from our facility. If we do not use the pre - authorization for some reason, (order cancelled, item sold out, etc.) the pre - authorized amount will be restored to your credit card's line of credit in the amount of time determined by the issuing bank. The card issuing bank may hold the original pre - authorization amount for some period of time even after we have already charged the card. Please contact your bank to find out what their policy is with regard to releasing your funds on a pre - authorization. Only your bank can decide when to release that amount back to your account.

### BACKORDERS

If you order an item which we expect to be able to ship within 60 days and that item is not immediately available, we will back-order the item. Please note or advise if you *do not* wish to have items backordered. Backordered items will be sold at the price in effect at the time of shipment. Shipping charges will be added to each shipment, including any backorders, as shown below.

### SHIPPING CHARGES

Shipping charges are billed according to the standard shipping rates of the carrier plus a small handling fee. Our preferred carrier is FedEx. We also use USPS for small, low value packages. ALL OTHER shipping methods including overnight/express services, priority mail, freight, etc. will be charged actual shipping cost, a reasonable box & pack charge plus a \$5.00 special handling fee. OVERSEAS shipments may be charged a \$5.00 documentation charge in addition to all other charges. Shipments outside the continental United States, please specify your preferred method for shipping.

### SALES TAX

Ohio sales tax is charged on all pickup orders and all orders shipped to a location in the state of Ohio.

### PRICES & AVAILABILITY

All prices are subject to change without notice. All current prices can be found on our site, [ClassicTBird.com](http://ClassicTBird.com). Availability is subject to prior sale.

### LIABILITY

The seller, CLASSIC AUTO SUPPLY CO. INC. hereby expressly disclaims all warranties, either expressed or implied, including any implied warranty of merchantability or fit for a particular purpose, and CLASSIC AUTO SUPPLY CO. INC. neither assumes nor authorizes any other person to assume for it any liability in connection with the sale of this merchandise. The liability of CLASSIC AUTO SUPPLY is limited only to the replacement of defective parts. No labor claims will be honored.

# INDEX

## - A -

A FRAME BUSHINGS.....	12
ACCELERATOR -	
LINKAGE.....	33
PEDAL.....	33
ADHESIVES.....	30
AFGHAN.....	47
AIR -	
CLEANER.....	32
CONDITIONER.....	35
DUCTS.....	34
SCOOP.....	34
VENTS.....	34
ALTERNATOR KIT.....	40
ALUMINUM -	
PLUG WIRE BAND.....	43
RADIATOR.....	28
ALUMINIZED EXHAUST PIPES.....	18
ANTENNA.....	60
AUTHENTICITY MANUALS.....	27

## - B -

BACKGLASS HARD TOP.....	68
BALL -	
JOINT.....	12
SEAT TRACK.....	75
SHIFTER.....	25
BATTERY -	
BOLTS & CLAMPS.....	40
CABLES.....	41
CARRIER.....	40
DISCONNECT SWITCH.....	41
HOLDDOWN.....	40
HEATSHIELD.....	40
JUMP STARTER.....	17
MAINTENANCE CHARGER.....	17,41
BEARING -	
CLUTCH.....	25
FRONT WHEEL.....	6
GENERATOR.....	40
REAR END.....	16
STEERING.....	13,14
SEAT TRACK.....	75
BELT -	
AIR CONDITIONER.....	15
FAN & POWER STEERING.....	29
SEAT SAFETY.....	5
BODY PANELS.....	28,54,61
BODY -	
ROTATOR PLANS.....	19
SHIMS.....	73
BOLTS - MISC.....	72
BOOKS.....	27
BOOTS -	
CLUTCH.....	25
SHIFTER.....	25
TRANS. OUTPUT SHAFT.....	26
BOOSTER POWER BRAKE.....	8
BRAKE -	
BOOSTER.....	8
CABLES.....	10
CLIPS.....	10,74
COMBINATION VALVE.....	11
DISC KIT.....	11
DRUMS.....	6
EMERGENCY.....	9,11
FLUID - SILICONE.....	9
HOSE.....	9,10
LED ASSEMBLIES.....	50
LIGHT SWITCH - MECHANICAL.....	11
LINES - STEEL & STAINLESS.....	10
MASTER CYLINDER.....	10
PEDAL & PEDAL PADS.....	11
SHOES.....	8
SWITCH.....	11
WHEEL CYLINDER.....	9

BULBS -	
COMPLETE LIST.....	50
HEADLAMP.....	49
KITS.....	50
BUMPER -	
AXLE.....	20
BRACES.....	56
DECKLID.....	66,67
DIFFERENTIAL.....	20
FRONT & REAR.....	56,57
GLOVE BOX.....	38
HOOD.....	54
REAR SPRING.....	20
BUSHING -	
CLUTCH.....	25
DEFROSTER FLAPPER.....	54
DOOR HINGE.....	64
FRONT SUSPENSION.....	12
IDLER ARM.....	13
MASTER CYLINDER ROD.....	10
REAR SPRING.....	20
SHIFTER.....	24
SHOCK MOUNTING.....	13
STARTER.....	41
STABILIZER.....	12
WINDWING HINGE.....	36

## - C -

CABLE -	
BATTERY.....	41
EMERGENCY BRAKE.....	11
HEATER CONTROL.....	58
HOOD RELEASE.....	54
IGNITION.....	42
SPEEDOMETER.....	26
STARTER.....	41
TACHOMETER.....	43
VENT CONTROL.....	34,58
CAR -	
CARE ITEMS.....	17
COVERS.....	17
CAMSHAFT.....	22
CAP -	
BREATHER.....	23
DISTRIBUTOR.....	42
GASOLINE FILL.....	30
HUBCAPS.....	6
MASTER CYLINDER.....	10
OIL FILL.....	21
POWER STEERING FILL.....	13
RADIATOR.....	28
CARBURETOR -	
AIR CLEANER.....	31
FUEL SCREEN.....	33
GASKET.....	31,32
LINKAGE.....	33
MANUALS.....	27
NEW.....	31
REBUILD KITS.....	31,32
CARPET.....	2
CART HARD TOP.....	71
CHOKE PARTS.....	33
CIGAR LIGHTER.....	38
CLAMPS -	
EXHAUST PIPE.....	18,19
HEATER HOSE.....	58
HOSE KIT.....	59
POWER STEERING HOSE.....	14
RADIATOR HOSE.....	28
TOP HOLDDOWN.....	68,69
CLIPS	
BRAKE LINE.....	9,11,74
MISC.....	74,75
WIRE HUBCAP.....	6
CLOCK.....	39

CLUTCH -	
DUST SHIELD.....	25
DISC.....	25
LINKAGE.....	25,26
COCKPIT COVER.....	17
COIL -	
IGNITION.....	42
RESISTOR.....	42
CONSOLE, SEAT.....	5
CONCOURS RULES.....	27
CONTINENTAL KIT.....	6
CONVERTIBLE TOP (see SOFT TOP)	
CONVERSION TO 12V.....	40
COOLING.....	28,29
COVERLET.....	46
CRANKSHAFT PULLEY PULLER.....	57
CROSS FLAG EMBLEM.....	66
CUSHION SEAT FOAM.....	3

## - D -

DASH -	
BEZEL.....	38
COVERING.....	2,32
EMBLEM.....	34
KNOBS.....	34,38,49,55,60
LENSES.....	38
LIGHT.....	38
POT.....	32
SAFETY PAD.....	36
TRIM SETS.....	36
DATA PLATE DECODER.....	24
DECALS -	
COMPLETE LIST.....	35
SETS.....	35
DECK LID PROTECTOR.....	17
DECODER CARD.....	24
DEFLECTOR -	
AIR.....	28
CHOKE.....	33
EXHAUST.....	18
RADIATOR SIDE.....	28
REAR BUMPER.....	56 - 57
STONE.....	29,54
DIPSTICK -	
ENGINE OIL.....	23
TRANSMISSION OIL.....	25
TUBE - ENGINE OIL.....	23
TUBE - TRANS OIL.....	25
DISC BRAKES.....	11
DISTRIBUTOR -	
BUSHING.....	42
CAP.....	42
MANUALS.....	27
REBUILD PARTS.....	42-43
DIFFERENTIAL.....	16
DIMMER SWITCH.....	48
DOOR -	
CHECK STRAP.....	64
GAS FILLER.....	65-66
GLASS.....	62
GLASS RUN.....	63
HANDLES.....	64
HINGE REPAIR.....	64
LATCH PARTS.....	63,64
LOCK PARTS.....	63,64
PANELS.....	2
PANEL CLIP.....	74
SHIM.....	63
STEP PLATES.....	38
UPHOLSTERY.....	2 - 3
VENT.....	34
WEATHERSTRIP.....	62
WIRE HARNESS.....	52
DRINK HOLDER.....	5
DROP CURTAIN.....	2

DUCTS FRESH AIR.....	34
DYE - VINYL.....	4

## - E -

ELECTRICAL CONNECTORS.....	75
ELECTRIC -	
FAN KIT.....	29
FUEL PUMP.....	31
WIPER KIT.....	55
EMBLEM -	
CREST.....	28,54,66,68
HOOD.....	54
NOSE PANEL.....	28
TEMPLATE.....	47
SCRIPT.....	54,65
V - 8 GLOVE BOX.....	38
V - 8 BODY SIDE.....	54
EMERGENCY BRAKE CABLE.....	11
ENGINE -	
GASKET KIT.....	21
PARTS.....	21 - 23
STEADY REST.....	23
EXCELLENCE IN AUTHENTICITY -	
BATT HOLD - WING NUT 55.....	40
BRAKE BOOST SCREEN.....	10
COIL 56/57.....	42
COIL WIRE.....	43
DROP CURTAIN STUD.....	72
FIREWALL PAD FASTENER.....	74
GAS TANK FILL CAP.....	30
HORN RELAY 57.....	51
IGNITION RESISTOR.....	42
INSIDE MIRROR BASE.....	4
MASTER CYL FILL CAP.....	10
OIL DIP STICK.....	23
PARKING LIGHT GROM. 57.....	55
RADIATOR CAP.....	28
RADIATOR HOSE CLAMPS.....	28
REAR SPRING CLAMPS 57.....	20
RUBBER BOOTS - TIE ROD.....	13
SOFT TOP WIREON ENDS.....	70
SPARK PLUG WIRES.....	42
STARTER SOLENOID 55.....	41
TAIL LIGHT LENS.....	50
TRANS. COOLING FITTINGS.....	74
VISOR ARMS.....	36
WIPER BLADES.....	55
WIRE HARNESS CLIPS.....	75
EXHAUST -	
CLAMPS.....	18 - 19
COMPLETE KITS.....	18
DEFLECTORS.....	18
GASKETS.....	19
HANGERS.....	18 - 19
HEAT RISER.....	19
MANIFOLDS.....	19 - 23
MUFFLERS.....	18
PAINT.....	30
PIPES.....	18
EXTERIOR TRIM KIT.....	67

## - F -

FAN -	
BELT.....	29
FAN -	
BLADES.....	29
ELECTRIC KIT.....	29,46
HEATER BLOWER.....	58
SHROUD.....	28
SPACER.....	29
FENDER COVER.....	17
FILTER -	
AIR CLEANER.....	32
AUTOMATIC TRANS.....	24

FILTER - (CONTINUED)	
FUEL	31
OIL - ENGINE	22 - 23
POWER STEERING	15
FIRE EXTINGUISHER	46
FIREWALL PINS	74
FITTINGS - MISC	73,74
FLOAT -	
CARBURETOR	31
GASTANK SENDING UNIT	31
FLOOR MATS	5
FLOOR PAN DEADNER	36
FLYWHEEL RING GEAR	22 - 26
FRONT SUSPENSION	12
FUEL -	
CLIP AT FRAME	33
FILTER	30 - 33
FLEX LINE	31
GAUGE	31
LINES	31
LINE UNION	73
PUMP	31,46
SENDING UNIT	31
STABILIZER ADDITIVE	17
TANK	30
TANK STRAPS	30
FUSES	52

**- G -**

GASKETS - (ALSO SEE SEALS)	
(ALSO SEE WEATHERSTRIP)	
ANTENNA	60
CARBURETOR	31 - 33
CHOKE	33
BACKUP LENS	53
BRAKE	10
ENGINE KITS	21
FUEL FILTER	31
GEAR SHIFT	25
HEADLAMP	49
HEATER	59
LICENSE LAMP	51
OIL PAN	22
PARKING LAMP	49
ROCKER ARM COVER	22
TAILLAMP	49
WATER PUMP	29
GASTANK -	
BOLT - MOUNTING	30
COMPLETE	30
LEVEL SENDING UNIT	31
PADS	30
STRAPS - MOUNTING	30
STRAPS - FILLERNECK	30,33
VENT HOSE	30
GAUGE -	
FUEL	31
TACH - VACUUM COMBO	38,43
TEMPERATURE	23,38
GEAR -	
SHIFTER	25
SPEEDOMETER - DRIVEN	25
TACHOMETER - DRIVEN	43
TRANSMISSION - STANDARD	24
GENERATOR -	
BEARINGS	40
GENERATOR -	
BRUSHES	40
DECAL	35
MOUNTING BRACKETS	40
OVERHAUL KIT	40
GIFT CERTIFICATE	60
GLASS -	
DOOR	62
HARDTOP	68
PORTHOLE	68
WARE WITH T-Bird LOGO	47
WINDSHIELD	36
WINDWING	36
GLOVE BOX	38
GREASE FITTING COVERS	46
GRILLE	28

GROMMETS	
MISC	75
PLUG WIRES	43

**- H -**

HALOGEN HEADLAMPS		49
HANDLING KIT,SUSPENSION		20
HANDLE -		
DOOR	64	
EMERGENCY BRAKE	11	
JACK	66	
REMOVAL TOOL	57	
TRUNK	67	
TURN SIGNAL	67	
HARDTOP -		
CLAMPS	69	
BACKGLASS	68	
GLIDER	71	
HEADLINER	2	
HOIST KIT	17,71	
PORTHOLE	68	
STAINLESS TRIM	68 - 70	
TACK STRIP SET	68	
WEATHERSTRIPS	70	
HARDWARE		75-78
HARDWARE KITS		44-46
HEADLAMP	49	
WIRING GROMMET	53	
HEADLINER	2	
HEAT SHIELDS -		
MASTER CYLINDER	10	
MUFFLER	18	
SPARK PLUG WIRES	42	
HEATER -		
BLOWER MOTOR	58	
CHAMBER	58	
CONTROL CABLE	58	
CORE	58	
DUCTS	34,58	
GASKETS	59	
HOSE	58	
HOSE CLAMPS	59	
KNOBS	38	
MANUAL CONTROL KIT	58	
SWITCH - MOTOR	58	
VALVE	58	
WIRE - MOTOR	51	
HOOD	54	
HOOD RELEASE TOOL	57	
HORN -		
RELAY	51	
RING	15	
HOSE -		
BRAKE	9,10	
CLAMP KIT	59	
DEFROSTER	58	
GAS TANK VENT	30	
HEATER	58	
POWER STEERING	14	
RADIATOR	28	
VACUUM	55,58	
WASHER	55	
HUBCAPS	6	

**- I -**

IGNITION -		
SWITCH	38	
IGNITION -		
TUNE - UP KIT	42	
SPARK PLUG WIRES	42	
IMPROVED HANDLING KIT	15	
INVERTER - POWER - 6V to 12V	60	

**- J -**

JACK -		
HOLDDOWN STRAP	66	
JACKING PLATES	56,57	
SPOON	66	
JUNCTION BLOCKS	52	

**- K -**

KEYS	47,43,67
KNOB -	
DASH	34,38,49,55,60
DOOR LOCK	63
HEATER	58
KEY	43
LIGHTER	38
LIGHT CONTROL	38
RADIO	60
SIDE VENT	34

**- L -**

LAMPS -		
BULBS	50	
LED ASSEMBLIES	50	
LARGE OPENING THERMOSTAT	29	
LASER THERMOMETER	57	
LEAF SPRINGS	20	
LED - (LIGHT EMITTING DIODE)		
TAIL LAMPS	50	
PARKING LAMPS	50	
TURN SIGNAL FLASHER	50	
LENS -		
BACKUP	53	
DASH	38	
HEATER FACEPLATE	38,59	
LED TAIL LAMP	50	
LICENSE	51	
MAPLIGHT	38	
PARKING	49	
RADIO DIAL	60	
SHIFT SELECTOR	26	
SLEEVE	51	
TAILLAMP	50	
LIGHTER - CIGARETTE	38	
LICENSE -		
CLIP - WIRE	74	
LENS	51	
LAMP ASSY	51	
PLATE FRAMES	43	
PLATE HOLDER	51,56	
WIRE	50,51	
LITERATURE	27	
LOCK -		
BEZEL - GLOVE BOX	38	
DECKLID	67	
DOOR	63	
HOOD	54	
IGNITION	38	
SHIFTER	59	
SETS	38,63,66	
TOP	59	
TRUNK	67	
LOUVER TRIM	54	

**- M -**

MAILBOX - EMBLEM PATTERN		47
MANUAL -		
HEATER CONTROL	58	
REFERENCE	27	
SEAT ADJUSTER	39	
WINDOW REGULATOR	64	
MANIFOLD EXHAUST	19,23	
MANUALS	27	
MAPLIGHT	38	
MASTER CYLINDER BRAKE	10	
MAT -		
CARPET	5	
FLOOR PAN	36	
TRUNK	67	
MECHANICAL BRAKE SWITCH	11	
MIRRORS	39, 64	
MONTHLY SPECIALS	74	
MOTOR -		
WINDSHIELD WIPER	55	
HEATER BLOWER	58	
MUFFLERS	18	

**- N -**

NEUTRAL SAFETY SWITCH	25
NUTS - MISC	71 - 75

**- O -**

OIL -		
DIPSTICK	23	
FILL CAP	23	
FILTER	22,23	
PAN GASKET	22	
OUTSIDE MIRRORS	64	
OVERDRIVE	24	

**- P -**

PADS -		
BRAKE	8	
FIREWALL	36	
GAS TANK	30	
HEAD LAMP MOUNTING	49	
RADIATOR MOUNTING	28	
TAIL LAMP MOUNTING	50	
PAINT		30
PROTECTOR	17,70	
TOUCH - UP EXTERIOR	30	
PCV CONVERSION	23	
PEDAL PADS	10	
PINS - MISC	73	
PLUGS -		
DIFFERENTIAL	74	
ENGINE DRAIN	22	
FLOORPAN	38	
FREEZE	21	
GAS TANKS	74	
OIL PAN	22	
QUARTER PANEL	65	
ROCKER ARM SHAFT	22	
SPARK PLUGS	43	
WHEEL WELL	66	
POWER -		
BRAKE BOOSTER	8	
STEERING	13 - 15	
PRINTS		47
PULLEYS -		
CRANKSHAFT	22	
FAN	28	
GENERATOR	40	
HANDBRAKE	11	
WATER PUMP	28,29	
PUMP -		
ELECTRIC FUEL	31	
FUEL - MECHANICAL	31	
OIL	22	
POWER STEERING	14	
WATER	28,29	
WINDSHIELD WASHER	55	

**- Q -**

QUICK INDEX	1, BACK COVER
-------------	---------------

**- R -**

RADIAL TIRES		7
RADIATOR -		
ALUMINUM	28	
CAP	28	
CLAMPS - HOSE	28	
COMPLETE	28	
DEFLECTOR	28	
HOSE	28	
PAD - MOUNTING	28	
RADIO -		
ANTENNA	60	
DIAL LENS	60	
KNOBS	60	
SERVICE MANUALS	27	
SPEAKER	60	
STEREO - TAPE	60	
TUBE SETS	60	



REAR -	
AXLES.....	16
DECK PROTECTOR.....	70
END.....	16
MAIN SEAL.....	22
QUARTER.....	65
SPRINGS.....	20
VIEW MIRRORS.....	19
REGULATOR -	
VOLTAGE.....	40
WINDOW.....	64
REPAINT KIT.....	67
REPAIR PANELS.....	72, 73
ROCKER ARM COVER.....	22
ROD -	
ACCELERATOR.....	33
CARBURETOR.....	33
CHOKE.....	33
CLUTCH.....	25
DOOR LOCK.....	63
KICKDOWN.....	25
PUSH - VALVE.....	22
SHIFTER.....	25
SIDE VENT.....	34
SPINDLE CONNECTING.....	13
TIE ROD END.....	13
ROTATOR, BODY.....	71

### - S -

SCREWS - MISC.....	72
SCRIPT.....	54,65
SEALS - (ALSO SEE GASKETS)	
(ALSO SEE WEATHERSTRIP)	
ACCELERATOR ROD.....	33
AIR CLEANER.....	32
AIR DUCT.....	34
FAN SHROUD.....	28
HEATER.....	58,59
REAR MAIN.....	22
STARTER.....	22
SEALS -	
STEERING.....	13 - 15
TRANSMISSION.....	24 - 26
WINDSHIELD WASHER.....	55
SEAT -	
BELT - SAFETY.....	5
CONSOLE.....	5
COVERING.....	3
FOAM.....	3
FRAME PARTS.....	3,39
RELAY.....	52
TRACK PARTS.....	39,52,75
WIRING.....	52
SECURITY DEVICES.....	59
SHIFTERS.....	25
SHIFTER LOCK.....	59
SHIM -	
BODY.....	73
DOOR STRIKER.....	63
SHIRT.....	47
SHOCK ABSORBERS.....	15
SHOP MANUALS.....	27
SIGNS - PARKING, FORD.....	46
SILICONE BRAKE FLUID.....	9
SIMULATED WIRE WHEELS.....	6
SKIRTS.....	65
SOFT TOP -	
CLAMPS.....	68,69
COVERING.....	71
HEADER STAINLESS.....	70
PIN KITS.....	68
TACK STRIP SET.....	68
WEATHERSTRIP.....	70
SPARE WHEEL -	
CARRIER.....	6
SPARE WHEEL - (CONTINUED)	
BOLT/HOLD DOWN.....	66
SPARK PLUGS.....	43
WIRES.....	42
SPEAKERS.....	60
SPEEDOMETER -	

CABLE.....	26
DRIVE GEARS.....	27
LENS.....	38
SPRINGS -	
ANTI - SQUEEKS.....	20
BRAKE SHOE.....	8,9
BUMPERS.....	20
COIL - FRONT.....	12
CHOKE.....	33
CLUTCH RELEASE.....	25
DOOR & WINDOW.....	64
DOOR LATCH.....	63
EMERGENCY BRAKE.....	11
FRONT COIL.....	12
GAS LID.....	65,66
GEARSHIFT LEVER.....	24,26
GENERATOR BRUSH.....	40
HEADLAMP BUCKET.....	49
HOOD HINGE.....	54
HOOD LATCH.....	54
HORN RING.....	15
IGNITION SWITCH.....	38
INSULATORS - FRONT COIL.....	12
OIL FILTER.....	23
PARK BRAKE.....	11
REAR LEAF.....	20
SEAT ASSIST.....	39
SHOCK COVERING.....	15
STARTER MOTOR BRUSH.....	41
THROTTLE.....	30
TOP HANDLE - REAR.....	69
TURN SIGNAL.....	50
VENT CONTROL.....	34
WASHER PUMP.....	55
STABILIZERS FRONT/REAR.....	12,20
STAINLESS	
BRAKE LINES.....	10
EXHAUST PIPES.....	18
FUEL LINES.....	31
MUFFLERS.....	18
STARTER -	
BRUSHES.....	41
BUSHINGS.....	41
CABLE.....	41
DECAL.....	47
DRIVE.....	41
RING GEAR.....	22,25
SEAL.....	22
SOLENOID.....	41
TUNE - UP KITS.....	41
STEERING -	
BOX.....	14
COLUMN.....	14
LINKAGE.....	13
WHEEL.....	14
STEP PLATES.....	38
STEREO RADIOS.....	60
STORAGE ITEMS.....	5
SWITCH -	
BACK - UP LAMP.....	26,53
BATTERY MASTER.....	41
COURTESY LIGHT.....	38
DIMMER.....	49
HEADLIGHT.....	38
HEATER BLOWER MOTOR.....	59
IGNITION.....	38
MAP LIGHT.....	38
NEUTRAL SAFETY.....	25
RADIO.....	60
SEAT.....	53
WINDOW.....	52

### - T -

TACHOMETER -	
CABLE.....	43
FACE.....	39
GAUGE VAC - TACH.....	43
TAIL LAMP.....	50
TECHNICAL INFORMATION.....	29
TEMPERATURE	

GAUGE.....	23,38
INDICATOR.....	28
SENDER.....	23
THERMOMETER LASER.....	57
THERMOSTAT.....	29
THUNDERBIRD SCRIPT.....	54,65
TIRES.....	7
CLEANER.....	7,17
VALVES & CAPS.....	7
TRICO WIPER BLADES.....	55
TOOLS - SPECIAL.....	57
TOPS.....	68 - 71
TORQUE CONVERTER.....	25
TOUCH - UP BODY PAINT.....	30
TRANSMISSION.....	24 - 26
TRUNK.....	66 - 67
TURN SIGNAL.....	38,49 - 50

### - U -

UNIVERSAL JOINT.....	16
UPHOLSTRY.....	2 - 4

### - V -

VACUUM -	
ADVANCE DIAPHRAGM.....	43
CONTROL - HEATER.....	58
GAUGE VAC - TACH.....	39,43
LINE SET.....	43
HOSE.....	55,59
VALVE STEMS.....	7
VENTILATION SYSTEMS.....	34
VIDEOS.....	7
VINYL DYE.....	4
VISORS.....	36
VOLTAGE DROP RESISTOR.....	42

### - W -

WASHERS - MISC.....	73
WATER PUMP - HIGH OUTPUT.....	29
WEATHERSTRIP - (ALSO SEE	
SEALS & GASKETS)	
ADHESIVE.....	30
APRON.....	54
DOOR.....	62
FOLDING TOP.....	70
HARDTOP.....	70
TRUNK.....	67
WHEEL -	
BEARINGS.....	6
COVERS.....	6
CYLINDER.....	9
STEERING.....	14
WIDE WHITE -	
CLEANER.....	7
RADIALS.....	7
WINDOW -	
GLASS.....	36,62,68
HANDLE.....	64
REGULATOR.....	64
ROLLERS.....	64
STOPS.....	62
WEATHERSTRIP.....	62
WINDSHIELD -	
CLIP - TRIM.....	36
GLASS.....	36
WASHER PUMP.....	55
WEATHERSTRIP.....	36
WIPER BLADES.....	55
WIPER MOTOR.....	55
WINDWINGS.....	36
WIPER -	
ARMS.....	55
BEZEL.....	55
BLADES.....	55
ELECTRIC CONVERSION.....	55
MOTOR.....	55
WIRE WHEEL HUBCAPS.....	6
WIRING -	
DIAGRAMS.....	27
CLIPS.....	74,75

If there is some part you need and don't find it in our catalog, please let us know. If we don't have it, we will go to work to see if we can offer it. We give all requests for new products serious consideration.

At CASCO we manufacture, test and install the parts we sell. Here are just some of our specialized in house capabilities:

*Aluminum welding  
Assembly jigs  
Bar folder  
Body rotator  
CNC tube bending  
CNC turning  
CNC water jet  
Computer design  
Electrical testing  
Engine testing  
Exhaust bending  
Glass etching  
Glass fabrication  
Milling machines  
Paint spray booth  
Powder coating  
Polishing  
Punch presses  
Roll forming  
Sheet break  
Stainless welding  
Steel rule die cutting  
Steel welding  
Tube flaring  
Turret lathes  
Turret punches  
Ultrasonic cleaning  
Vehicle hoist*

## ORDERING INFORMATION

### THE CASCO GUARANTEE

If you are dissatisfied with any new item you may return it along with a MERCHANDISE RETURN FORM, which can be found on page 79 or on our web site, within 60 days of receipt for a full refund less shipping charges. **Please call our office for RMA** (return merchandise authorization) number. Returned items must be in good, as received, condition. Used parts will be subject to a 25% restocking charge. We do not accept returned electrical parts. After 60 days, returns of new parts will be subject to a 10% restocking charge. Returned items without an invoice or RMA number will be charged a \$5.00 search charge. Items without purchase confirmation will not be accepted. We will not accept returns by COD or postage due. If CASCO is at fault we will refund reasonable return shipping.

### CASCO LOYALTY REWARDS PROGRAM

Every dollar spent on parts from CASCO will reward the customer with one loyalty rewards point. Customers can see their accumulated points total printed on the bottom of their most recent invoice. An accumulated 500 points can be redeemed for \$10 off the next order. CASCO will announce additional rewards program promotions, such as double points, on the web site and through the ThunderEnlightening email newsletter.

### TECHNICAL ASSISTANCE

So that we may serve you more efficiently, please use our technical assistance line at **740-622-9700** for help with your restoration and mechanical questions. Please have your invoice number ready when you call. You can also email CASCO technicians directly at [techinfo@ClassicTBird.com](mailto:techinfo@ClassicTBird.com)

### TELEPHONE, FAX & EMAIL ORDERS

We accept Visa, MasterCard, Discover Card, and Wire Transfer telephone orders

Toll - Free Order Line: (800) 374-0914 - Toll - Free Fax Line: (800) 513-5806 - Email: [sales@ClassicTBird.com](mailto:sales@ClassicTBird.com)

Local & international customers please phone (740) 622-8561 or fax (740) 622-5151

Bank charges for wire transfers are the responsibility of the customer (normally \$15 - \$20).

### INTERNET ORDERS

Shop 24-7 on our web store. Find us at [ClassicTBird.com](http://ClassicTBird.com). We accept Visa, MasterCard, and Discover. Order with confidence - we make every effort to keep your transaction secure.

**ClassicTBird.com**

### MAIL ORDERS

We accept personal checks, money orders, bank checks, Visa, MasterCard, and Discover Card. Please do not send cash. Please provide complete description of the parts you need. Shipments may be held for two weeks for personal checks to clear your bank. Returned checks will be assessed a \$30 NSF fee. Send to CASCO, 795 High Street, Coshocton, OH 43812

### CREDIT & DEBIT CARD ORDERS

When an order is initially placed, we perform a pre - authorization on your credit card for an amount sufficient to cover any potential charges associated with your order. This pre - authorization allocates a portion of your line of credit towards the purchase from us. Due to the restrictions of credit card processing, the pre - authorization amount is normally slightly higher than the exact order amount that is finally charged to the credit card. The exact amount is charged to the credit or debit card at the time the order is shipped from our facility. If we do not use the pre - authorization for some reason, (order cancelled, item sold out, etc.) the pre - authorized amount will be restored to your credit card's line of credit in the amount of time determined by the issuing bank. The card issuing bank may hold the original pre - authorization amount for some period of time even after we have already charged the card. Please contact your bank to find out what their policy is with regard to releasing your funds on a pre - authorization. Only your bank can decide when to release that amount back to your account.

### BACKORDERS

If you order an item which we expect to be able to ship within 60 days and that item is not immediately available, we will back-order the item. Please note or advise if you *do not* wish to have items backordered. Backordered items will be sold at the price in effect at the time of shipment. Shipping charges will be added to each shipment, including any backorders, as shown below.

### SHIPPING CHARGES

Shipping charges are billed according to the standard shipping rates of the carrier plus a small handling fee. Our preferred carrier is FedEx. We also use USPS for small, low value packages.

ALL OTHER shipping methods including overnight/express services, priority mail, freight, etc. will be charged actual shipping cost, a reasonable box & pack charge plus a \$5.00 special handling fee.

OVERSEAS shipments may be charged a \$5.00 documentation charge in addition to all other charges. Shipments outside the continental United States, please specify your preferred method for shipping.

### SALES TAX

Ohio sales tax is charged on all pickup orders and all orders shipped to a location in the state of Ohio.

### PRICES & AVAILABILITY

All prices are subject to change without notice. All current prices can be found on our site, [ClassicTBird.com](http://ClassicTBird.com).

Availability is subject to prior sale.

### LIABILITY

The seller, CLASSIC AUTO SUPPLY CO. INC. hereby expressly disclaims all warranties, either expressed or implied, including any implied warranty of merchantability or fit for a particular purpose, and CLASSIC AUTO SUPPLY CO. INC. neither assumes nor authorizes any other person to assume for it any liability in connection with the sale of this merchandise. The liability of CLASSIC AUTO SUPPLY is limited only to the replacement of defective parts. No labor claims will be honored.

## CASCO LOYALTY REWARD POINTS:

Earn one point for each dollar spent on CASCO parts. When you reach 500 points you can redeem them for \$10 off the next order placed or continue to accumulate points to be redeemed at a later time.

**500 points = \$10 OFF**

Your current CASCO loyalty points total will print at the bottom of your invoice.

## CASCO ThunderEnlightening Email Newsletter - **SIGN UP FOR FREE!**

Our electronic news letter includes new CASCO reproductions, technical tips, special sale prices, special rewards program promotions, and other Thunderbird and CASCO news items. Sign up through our web site or simply give us a call and we can add your e-mail to the subscription list



# ClassicTBird.com

Have you checked out our new web site? We unveiled our new site in 2017 and are excited to be able to offer even better customer service and information through the site. Our site offers photos of the parts as well as instructions or tips when applicable. We also have reached back to our roots and have parts linked up to the illustrations in order to make ordering and finding parts easier. Just click on the illustration on the parts page to zoom in.

Additional items available on our site:

- Enrollment for our electronic monthly newsletter
- Thunderbird fact page including a dataplate decoder
- Free Thunderbird classified ads
- Live chat
- CASCO Restorations
- Quick order page
- Parts pictures and corresponding illustrations and installation instructions
- Accessibility to your previous orders and tracking information
- And, of course, parts ordering



We are constantly working to improve our site and our overall service to the Thunderbird hobby. If you have any comments or suggestions, please contact us.



## CASCO web site navigation tips

- LOG IN to your account to view all special prices and discounts
- If you forget your password, call us and we can help!
- Can't find your account? Make sure you use the same email address that you used to sign in.
- To view part photos, illustrations, or instructions, open that part page. This can be found by entering a part number or partial description in the "PRODUCT SEARCH" box on the top left of our HOME page.
- To view orders or tracking information, log into your account and "View Your Order History". This will show links to all recent orders.



- 5, 46 Accessories
- 27 Books
- 8 Brakes
- 56 Bumpers
- 17 Car Care
- 36 Cockpit Area & Glass
- 28 Cooling & Body Front
- 62 Doors
- 40 Electrical-Charg & Starter
- 42 Electrical-Ignition
- 48 Electrical-Lamps & Body
- 21 Engine & Mounts
- 18 Exhaust
- 54 Front Fenders & Hood
- 12 Front Suspension
- 30 Fuel System
- 74 Hardware
- 44 Hardware Kits-All
- 58 Heater
- 39 Mirrors
- 30 Paint & Adhesives
- 60 Radio & Antenna
- 16 Rear Axle & Driveshaft
- 65 Rear Quarters & Skirts
- 20 Rear Springs
- 72 Repair Panels
- 15 Shock Absorbers
- 13 Steering
- 7 Tires & Wheels
- 57 Tools-Special
- 68 Tops
- 24 Transmission & Shifters
- 66 Trunk
- 2 Upholstery
- 34 Vent Systems
- 55 Wipers & Washers



Classic Auto Supply Co., Inc.  
795 High St.  
Coshocton, Ohio 43812

PRESORTED  
STANDARD  
U.S. POSTAGE  
PAID  
FOND DU LAC, WI  
PERMIT NO. 317

ClassicTBird.com website features:

More Pictures

Install Directions

Fastest Searches

Assembly drawings

Free Live Chat

Product Reviews

**Classified Ads**

Your Order History

Your Wish List

24-7 Shopping

Visit: [ClassicTBird.com](http://ClassicTBird.com)



Parts Department:

Monday - Friday 8:30 to 5:00 EST

Phone 740/622-8561

Email: [CASCO@ClassicTBird.com](mailto:CASCO@ClassicTBird.com)

24 hr Ordering: [ClassicTBird.com](http://ClassicTBird.com)

Restoration Department:

M-F 8:30 to 4:30 EST

Phone 740/622-9700



Order Line: 800♦374♦0914

© 2023 Classic Auto Supply Co. Inc  
Printed in U.S.A.